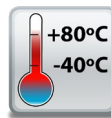


UK +44 (0)151 220 2500 // USA +1 855 958 2502 // www.brainboxes.com // sales@brainboxes.com

## US-720

### USB-C to 1 Port 422/485 Industrial USB to Serial Adaptor

- Our smallest form factor USB-C to serial adaptor
- High retention USB connector for an unshakeable connection
- Comes with 1m USB-B to USB-C cable
- Works where many other USB to Serial devices do not
- Industrial Specification: IP-50
- -40°C to +80°C / -40°F to +176°F



IP-50 rated non-conducting case



Wall mounting option



High retention USB connection requires a minimum withdrawal requirement of 15N (thats a force of 1.5Kg or 3.4lbs)



UK +44 (0)151 220 2500 // USA +1 855 958 2502 //  
www.brainboxes.com // sales@brainboxes.com

## US-720 USB-C to 1 Port 422/485 Industrial USB to Serial Adaptor

IP-50 rated non-conducting case

High retention USB connector for an unshakeable connection

Plug and play with signed drivers

Orange color-coded insulator to differentiate from standard USB connectors

-40°C to +80°C/-40°F to +176°F temperature range

USB connection requires a minimum withdrawal requirement of 15N



Wall mounting option

Works across the full spectrum of baud rates up to 921,600 including standard and arbitrary values

---

### Housing & Connectors

IP-50 rated non-conducting polyamide case  
DB9 Connector - 9 Pin Male  
High Retention USB Connector  
Wall mounting screw recess

---

### Power Supply

Power Supply Input +5V through USB cable (supplied)  
Power Consumption 50mA @ 5V

---

### Environmental

Operating Temperature -40°C to +80°C/-40°F to +176°F  
Storage Temperature -40°C to +80°C/-40°F to +176°F

---

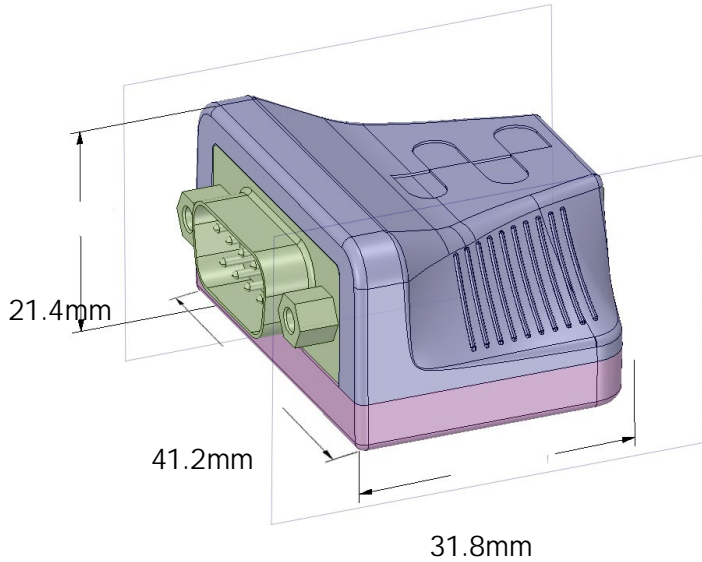
### Port Settings - RS232

Baud Rate From 110 - 1 MegaBaud - Any custom Baud rate accepted  
Data Bits 5,6,7 or 8  
Parity Odd, Even, None, Mark or Space  
Stop Bits 1 or 2  
Flow Control RTS/CTS, DSR/DTR, XON/XOFF  
Tx/Rx Modes Point to Point

---

UK +44 (0)151 220 2500 // USA +1 855 958 2502 //  
www.brainboxes.com // sales@brainboxes.com

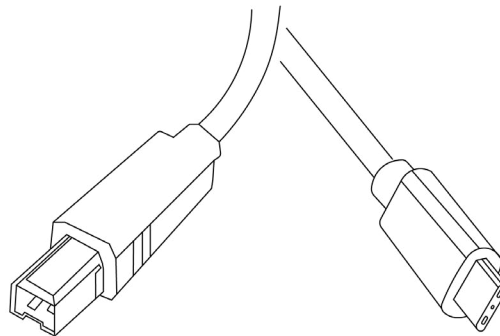
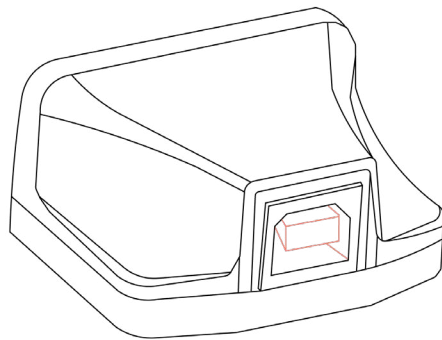
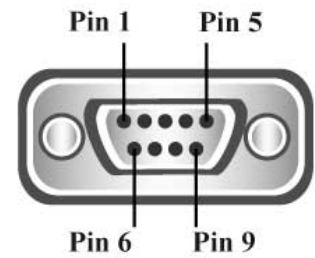
## US-720 USB-C to 1 Port 422/485 Industrial USB to Serial Adaptor



## RS232

Pin 1	DCD
Pin 2	RXD
Pin 3	TXD
Pin 4	DTR
Pin 5	GND
Pin 6	DSR
Pin 7	RTS
Pin 8	CTS
Pin 9	RI

RS232 Pinout (9 Pin Male)



**HIGH RETENTION SOCKET**  
(min withdrawal 15N)



USB-B plug



USB-C plug

connect to phones/tablets/PCs

## Software

### OS Compatibility

Brainboxes' software provides a TCP or Serial COM port interface. All software versions and updates available to download from our website.

Microsoft

Windows 8, Windows 8.1, Windows 10  
Windows Server 2016  
Windows Server 2019



### Lifetime Warranty and Support:

We can help with every aspect of your project, from getting you up and running to custom application.

UK +44 (0)151 220 2500 // USA +1 855 958 2502 //  
www.brainboxes.com // sales@brainboxes.com

## US-720 USB-C to 1 Port 422/485 Industrial USB to Serial Adaptor

Packaging Information	OSG, Device, USB-C Cable (signed drivers are automatically downloaded by Windows OS)
Product Weight	0.024 kg, 0.85 ounces
Product Dims	41x38x22 mm, 1.6x1.5x0.9 inches
Packaged Weight	0.155 kg, 5.47 ounces
Packaged Dims	160x135x45 mm, 6.3x5.3x1.8 inches
GTIN Universal Code	837324004618
Industry Approvals	Microsoft Certified Gold Partner, WEEE, RoHS, AEO (C-TPAT), CE, UKCA
HTS	8471800000
ECCN	49449A
CAGE	8QCY6
Warranty	Lifetime - online registration required
Support	Lifetime Web, Email & Phone Support from fully qualified, friendly staff who work in and alongside the Product Development Team
Standards	ISO9001, ISO14001
OEM option	Available for bulk buy OEM
COO (Country of Origin)	GB
Made In	Manufactured in GB by Brainboxes
Customisable	Brainboxes operate a 'Perfect Fit Custom Design' policy for volume users More info:sales@brainboxes.com

### USB-C Range

USB-C adaptors available in a range of formats and specifications

[www.brainboxes.com](http://www.brainboxes.com)



**US-735**

USB-C to 1 Port  
RS232 Industrial USB to  
Serial Adaptor



**US-757**

USB-C to 2 Port  
RS232 Serial Server Hub



**US-759**

USB-C to 1 Port  
RS232 Industrial Isolated  
USB to Serial Adaptor