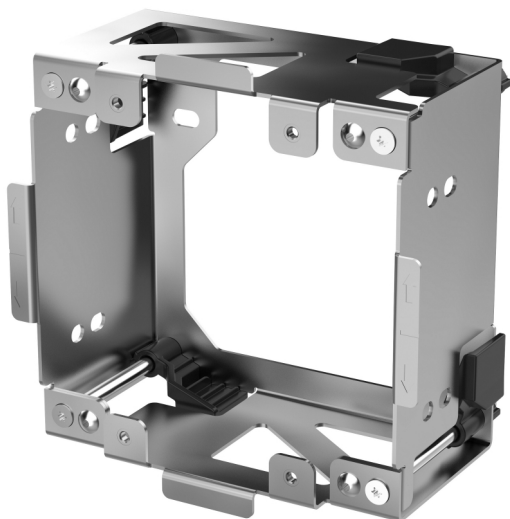


# AXIS TI8202 Recessed Mount

## For discreet installation

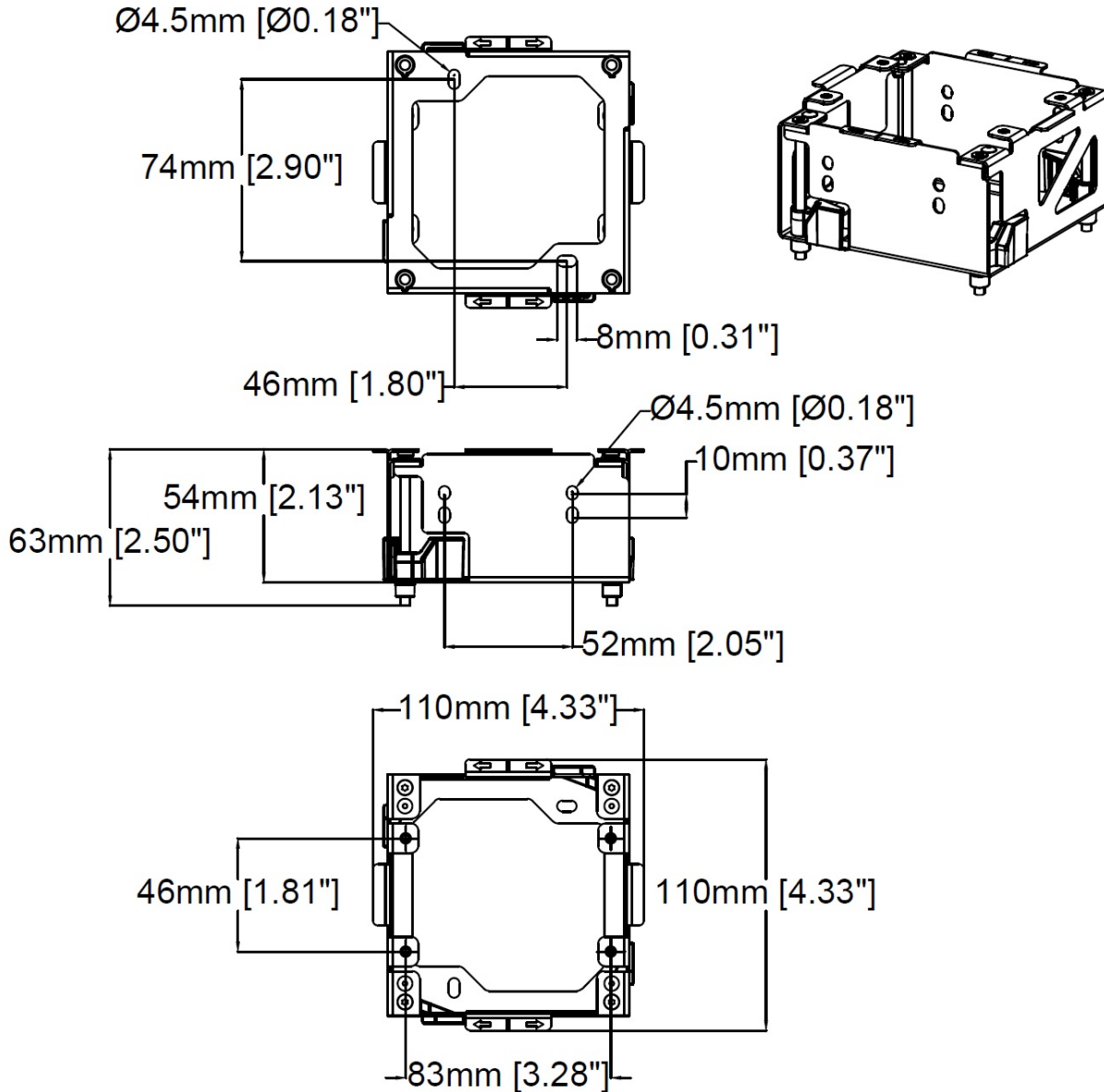
Recessed mount offering neat installation of AXIS I8016-LVE Network Video Intercom. Multiple mounting and wiring options along with a robust construction makes it suitable for most situations and wall types.

- > [Indoor and outdoor installation in walls](#)
- > [For AXIS I8016-LVE Network Video Intercom](#)
- > [Quick and easy installation](#)



## AXIS TI8202 Recessed Mount

General		Casing	Sheet metal, plastic Color: Metal, black
Supported products	AXIS I8016-LVE Network Video Intercom	Weight	0.28 kg (0.62 lb)
Mounting	Recessed in wall	Included accessories	Screws T10, Installation Guide
Environment	Outdoor/Indoor	Warranty	3-year warranty, see <a href="http://axis.com/warranty">axis.com/warranty</a>



## AXIS TI8202 Recessed Mount

Environmental responsibility:

[axis.com/environmental-responsibility](http://axis.com/environmental-responsibility)