



### 17" 10pt touch Open Frame monitor with Touch Through-Glass function

The ProLite TF1734MC-B7X uses 10 pt Projective Capacitive touch technology built into an eye catching bezel with edge-to-edge glass, which guarantees high durability, scratch-resistance and perfect picture performance. The screen is IP65 rated which means it is dust and water resistant from the front. Together with the Touch-Through-Glass technology which delivers a seamless and accurate touch response, this makes the monitor an ideal solution for kiosk integrators, Instore Retail and behind-glass-retail. For ease of integration, the monitor can be equipped with optional external mounting brackets ([OMK1-1](#)).



#### Touch technology - Capacitive

This technology uses a sensor-grid of micro-fine wires integrated into the glass that covers the screen. Touch is detected because electrical characteristics of the sensor grid change when human finger is placed on the glass. Thanks to the glass overlay this technology is highly durable, and the touch function remains unaffected even if the glass is scratched. It offers perfect picture performance and will work with human finger (also latex gloved) and stylus-pen.



#### Touch through-glass

This through glass touch screen works right through glass and can turn glass surfaces into an interactive touch screen display. Use it on storefront windows, real estate office, in-store for POS or restaurants.

## 01 DISPLAY CHARACTERISTICS

Design	Open Frame
Diagonal	17", 43cm
Panel	TN LED
Native resolution	1280 x 1024 (1.3 megapixel)
Aspect ratio	5:4
Brightness	350 cd/m <sup>2</sup> typical
Brightness	315 cd/m <sup>2</sup> with touch
Static contrast	1000:1 with touch
Light transmittance	90%
Response time (BTB)	5ms
Viewing zone	horizontal/vertical: horizontal°/vertical 170°, right/left: 0°/0°, up/down: 0°/0°
Colour support	16.7mIn 8bit
Horizontal Sync	31.4 - 80kHz
Viewable area W x H	338 x 270.5mm, 13.3 x 10.6"
Pixel pitch	0.264mm
Bezel colour and finish	black, matte

## 02 TOUCH

Touch technology	projective capacitive
Touch points	10 (HID, only with supported OS)
Touch method	stylus, finger, glove
Touch interface	USB
Supported operating systems	All iiyama monitors are Plug & Play and compatible with Windows and Linux. For details regarding the supported OS for the touch models, please refer to the driver instruction file available in the downloads section.
Through-Glass	6mm

## 03 INTERFACES / CONNECTORS / CONTROLS

Analog signal input	VGA x1
Digital signal input	HDMI x1 DisplayPort x1
HDCP	yes

## 04 FEATURES

Extra	anti-fingerprint coating, touch through-glass
Glass thickness	7mm
Water and dust protection	IP65 (front)
OSD key lock	yes

## 05 GENERAL

OSD languages	EN, DE, FR, ES, IT, CN, JP
Control buttons	Menu, Scroll up/ Brightness, Scroll down/ Contrast, Select, Power
User controls	picture (contrast, brightness, H.position, V.position, phase, clock, auto adjust), advanced (color temp., sharpness), OSD (time out, position, H-position, V-position, Touch switch), option (reset, language, source select, display mode, factory)

Plug&Play	DDC2B
-----------	-------

## 06 MECHANICAL

Orientation	landscape, portrait, face-up
VESA mounting	100 x 100mm

## 07 ACCESSORIES INCLUDED

Cables	power, USB, HDMI, DP
Guides	quick start guide, safety guide
Other	AC adapter
Cable cover	yes

## 08 POWER MANAGEMENT

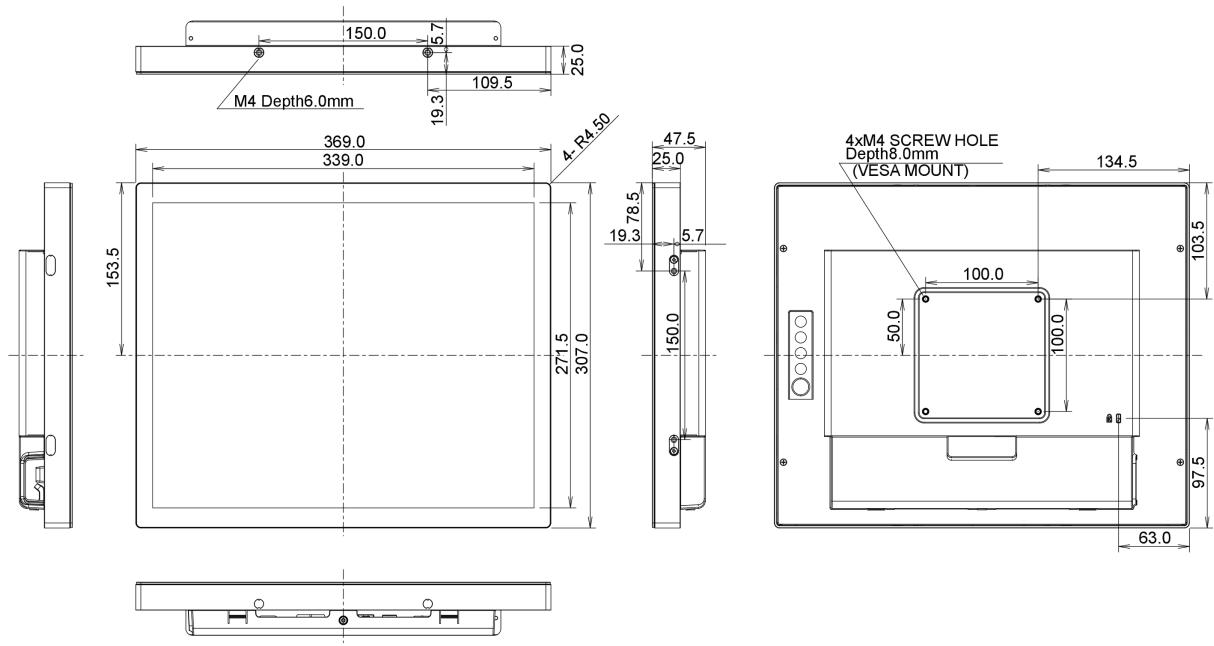
Power supply unit	external
Power supply	DC 12 V
Power usage	13W typical, 1.5W stand by, 0.3W off mode

## 09 SUSTAINABILITY

Regulations	CE, EAC, RoHS support, ErP, WEEE, cULus, REACH
Energy efficiency class (Regulation (EU) 2017/1369)	E
Other	REACH SVHC above 0.1%: Lead

## 10 DIMENSIONS / WEIGHT

Product dimensions W x H x D	369 x 307 x 47.5mm
Box dimensions W x H x D	455 x 387 x 145mm
Weight (without box)	3.6kg
Weight (with box)	4.9kg
EAN code	4948570118397



All trademarks and registered trademarks acknowledged. E & O E. Specification subject to change without notice. All LCD's comply with ISO-9241-307:2008 in connection with pixel defects.

© IIYAMA CORPORATION. ALL RIGHTS RESERVED