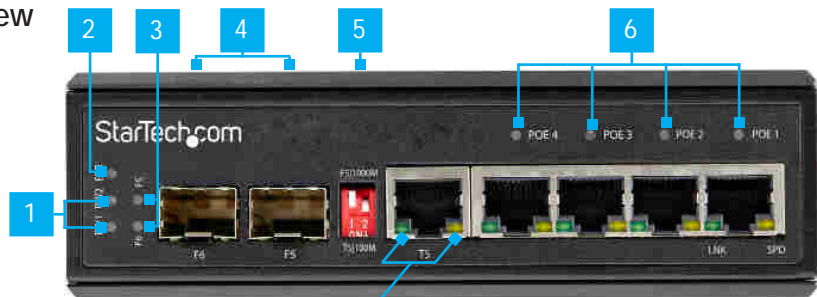


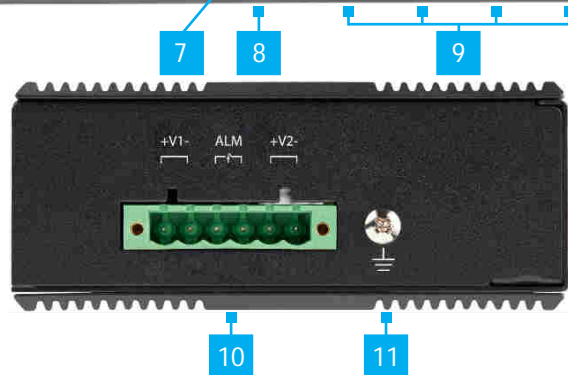
## 5 Port Unmanaged Industrial-Grade Switch + 2 Open SFP - 12V

### Product Diagram (IES1G52UP12V)

Front View



Side View



Component	Function
1 Power LED Indicators	<ul style="list-style-type: none"> <li>Color - Green</li> <li>Terminal P2 (middle), Terminal P1 (bottom)</li> <li>On - P1/2 is connected</li> <li>O - P1/2 is not connected</li> </ul>
2 ERR Alarm Relay LED Indicator	<ul style="list-style-type: none"> <li>Color - Amber</li> <li>On - Only P1 or P2 is connected</li> <li>O - Both P1 and P2 are connected</li> </ul>
3 F5/6 Port LED Indicators	<ul style="list-style-type: none"> <li>Color - Green</li> <li>F5 (top), F6 (bottom)</li> <li>On - SFP link/connection is detected</li> <li>O - SFP link/connection is not detected</li> <li>Flashing - SFP is active</li> </ul>
4 SFP Slots F6 (Left) and F5 (Right)	<ul style="list-style-type: none"> <li>Supports <b>100/1000Base-X SFP Transceiver Modules</b></li> </ul>

5	DIP Switches	<ul style="list-style-type: none"> <li>Enable <b>SFP Slot F5 or T5 Network Port</b></li> <li>Change the speed settings</li> </ul>
6	Port Status LED Indicators	<ul style="list-style-type: none"> <li>Color - Green</li> <li>On - Connection is detected</li> <li>Flashing - Data is transmitting/receiving</li> </ul>
7	LNK and SPD LED Indicators	<ul style="list-style-type: none"> <li>Indicates the link status and speed</li> <li><b>LNK(Green)</b> <ul style="list-style-type: none"> <li>On - Network connection detected</li> <li>Flashing - Data is transmitting/receiving</li> </ul> </li> <li><b>SPD (Amber)</b> <ul style="list-style-type: none"> <li>On - 1000 Mbps network speed</li> <li>O - 10/100 Mbps network speed</li> </ul> </li> </ul>
8	Non-PoE Port	<ul style="list-style-type: none"> <li>Provide an <b>Ethernet Connection</b> to one <b>Network Device</b></li> <li>Connect using a <b>Fiber or Copper Network Cable</b></li> </ul>
9	PoE Ports	<ul style="list-style-type: none"> <li>Connect any <b>Network Device</b> to provide an <b>Ethernet Connection</b> to up to 4 <b>Network Devices</b></li> <li>Provide a <b>PoE Connection</b> to 4 <b>Devices</b></li> <li>Maximum PoE power budget is 30W per port up to a total overall power budget of 120W</li> </ul>
10	Terminal Block Power Input Port	<ul style="list-style-type: none"> <li>Provides power to the <b>Switch</b></li> <li>Supported power input voltage range is 12-56V</li> </ul>
11	Grounding Screw	<ul style="list-style-type: none"> <li>Attach a <b>Grounding Wire</b> to protect <b>Network Equipment</b></li> </ul>

### Requirements

For the latest requirements, please visit [www.startech.com/IES1G52UP12V](http://www.startech.com/IES1G52UP12V).

- DC Power Supply x (up to) 2
- PoE Powered Device x (up to) 4
- RJ45 Terminated UTP/STP Cat 5e (or better) Network Cable x (up to) 5
- MSA-Compliant 100/1000Base-X SFP Transceiver Module x (up to) 2
- Fiber Cable x (up to) 2
- Earth Ground Connection x 1
- Grounding Wire x 1
- (Optional - for power) Flat Head Screwdriver x 1
- (Optional - for mounting) #2 Phillips Head Screwdriver x 1
- (Optional - for mounting) Screws for Wall Mounting x 2

# Installation

## Grounding the Switch

Connect a **Grounding Wire** to the **Grounding Point** on the **Switch** and to the **Earth Ground Connection**.

## Connect the Power Sources

### Terminal Block

Connecting and installing the **Terminal Block** must be completed by a licensed Electrician.

**Notes:** Make sure that you turn off the power source before connecting the power wire to the **Terminal Block**.

Do not exceed the recommend voltage as it may result in personal or product damage.

This unit includes an additional **24V@1A Relay Circuit (ALM)**. When two **Terminal Power Sources** are connected the **Relay** stays in **Open Mode**. If only one **Power Source** is connects the **Relay** switches to **Short Mode**.

1. Connect the **Power Wires** from a **DC Power Source (12 - 56V DC)** or the provided **Barrel Power Connector Adapter** to the **Terminal Block Connectors** on the **Switch**. The terminals are marked on the exterior of the **Switch** (connect the **Positive Wire** to **V+** and the **Negative Wire** to **V-**).
  - Secure the **Wires** by tightening the **Screws** in the **Terminal Block** with a **Flat Head Screwdriver**
2. (Optional) Repeat step 1 to add a redundant **Power Source**.

### FCC Compliance Statement

This equipment has been tested and found to comply with the limits for a Class A digital device, pursuant to Part 15 of the FCC rules. These limits are designed to provide reasonable protection against harmful interference when the equipment is operated in a commercial environment. This equipment generates, uses and can radiate radio frequency energy and, if not installed and used in accordance with the instruction manual, may cause harmful interference to radio communications. Operation of this equipment in a residential area is likely to cause harmful interference in which case the user will be required to correct the interference at his own expense.

This device complies with part 15 of the FCC Rules. Operation is subject to the following two conditions: (1) This device may not cause harmful interference, and (2) this device must accept any interference received, including interference that may cause undesired operation.

Changes or modifications not expressly approved by StarTech.com could void the user's authority to operate the equipment.

### Industry Canada Statement

This Class A digital apparatus complies with Canadian ICES-003.

Cet appareil numérique de la classe [A] est conforme à la norme NMB-003 du Canada.

CAN ICES-3 (A)/NMB-3(A)

This device complies with Industry Canada licence-exempt RSS standard(s). Operation is subject to the following two conditions:

(1) This device may not cause interference, and (2) This device must accept any interference, including interference that may cause undesired operation of the device.

Le présent appareil est conforme aux CNR d'Industrie Canada applicables aux appareils radio exempts de licence. L'exploitation est autorisée aux deux conditions suivantes:

(1) l'appareil ne doit pas produire de brouillage, et (2) l'utilisateur de l'appareil doit accepter tout brouillage radioélectrique subi, même si le brouillage est susceptible d'en compromettre le fonctionnement.

### Use of Trademarks, Registered Trademarks, and other Protected Names and Symbols

This manual may make reference to trademarks, registered trademarks, and other protected names and/or symbols of third-party companies not related in any way to StarTech.com. Where they occur these references are for illustrative purposes only and do not represent an endorsement of a product or service by StarTech.com, or an endorsement of the product(s) to which this manual applies by the third-party company in question. StarTech.com hereby acknowledges that all trademarks, registered trademarks, service marks, and other protected names and/or symbols contained in this manual and related documents are the property of their respective holders.

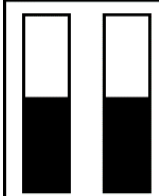
PHILLIPS® is a registered trademark of Phillips Screw Company in the United States or other countries.

# Select the Default Function and Speed using the DIP Switches

Toggle the **DIP Switches** up and/or down to select the **SFP Slot F5 (Right)** or **T5 Network Port**. When **SFP Slot F5** has been selected, the **T5 Network Port** will be completely disabled. When the **T5 Network Port** has been selected, **SFP Slot F5** will be completely disabled. The **DIP Switches** can also be used to select the **Network Speed**.

**Note:** If **DIP 1** is set to **T5** then **DIP 2** must be set to **1000M**.

## F5 1000M

	<b>Dip 1 to select port 5 TX or SFP</b>	<b>F5</b>	<b>F5 ON (default)</b>
		<b>T5</b>	<b>T5 ON</b>
	<b>Dip 2 to select SFP speed</b>	<b>1000M</b>	<b>1000M (default)</b>
		<b>100M</b>	<b>100M</b>

## T5 100M

## Connecting the Switch

### DIP Switch Set to F5

1. Insert two **MSA-Compliant SFP Transceiver Modules** (sold separately) into the **SFP Slots F5 and F6** on the **Switch**.
2. Connect a **Fiber Optic Cable** (sold separately) to the **Fiber Optic Ports** on each of the **SFP Modules** and to the **Fiber-Network Devices**.

### DIP Switch Set to T5

Connect a **Network Cable** to the **Network Device** and to the **T5 PoE Port/any PoE Port** on the **Switch**.

### Warranty Information

This product is backed by a two-year warranty.

For further information on product warranty terms and conditions, please refer to [www.startech.com/warranty](http://www.startech.com/warranty).

### Limitation of Liability

In no event shall the liability of StarTech.com Ltd. and StarTech.com USA LLP (or their officers, directors, employees or agents) for any damages (whether direct or indirect, special, punitive, incidental, consequential, or otherwise), loss of profits, loss of business, or any pecuniary loss, arising out of or related to the use of the product exceed the actual price paid for the product. Some states do not allow the exclusion or limitation of incidental or consequential damages. If such laws apply, the limitations or exclusions contained in this statement may not apply to you.

### Safety Measures

- If product has an exposed circuit board, do not touch the product under power.

### Mesures de sécurité

- Si l'un des circuits imprimés du produit est visible, ne pas touchez le produit lorsqu'il est sous tension.

### 安全対策

- 製品に露出した状態の回路基盤が含まれる場合、電源が入っている状態で製品に触らないでください。

### Misure di sicurezza

- Se il prodotto ha un circuito stampato visibile, non toccare il prodotto quando è acceso.

### Säkerhetsåtgärder

- Rör aldrig vid enheter med oskyddade kretskort när strömmen är påslagen.

**StarTech.com Ltd.**  
45 Artisans Crescent  
London, Ontario  
N5V 5E9  
Canada

**StarTech.com LLP**  
4490 South Hamilton  
Road  
Groveport, Ohio  
43125  
U.S.A.

**StarTech.com Ltd.**  
Unit B, Pinnacle 15  
Gowerton Road  
Brackmills,  
Northampton  
NN4 7BW  
United Kingdom

**StarTech.com Ltd.**  
Siriusdreef 17-27  
2132 WT Hoofddorp  
The Netherlands

FR: [startech.com/fr](http://startech.com/fr)  
DE: [startech.com/de](http://startech.com/de)  
ES: [startech.com/es](http://startech.com/es)  
NL: [startech.com/nl](http://startech.com/nl)  
IT: [startech.com/it](http://startech.com/it)  
JP: [startech.com/jp](http://startech.com/jp)