



PANZER MAX-G

The Ultimate Full Tower Gaming Case

Panzer Max-G is a full tower gaming case with a full-sized tempered glass panel that has been designed with gamers, overclockers, modders and professional level computer lovers in mind. It brings you great freedom when designing your system, with lots of space for components and superb cooling capabilities. It also brings you a powerful design that shows the COUGAR style like no other.



SUPERIOR EXPANDABILITY

Incredible Graphics + Loads of Storage + Motherboard Freedom

Panzer Max-G brings you unprecedented levels of freedom when designing your system. Its support for six different motherboard form factors and up to four double-slot 390mm graphics cards allows you to install all the computing power you need, while the possibility to host up to six storage devices will provide plenty of space for your files.



SUPERIOR COOLING

Cooling is a critical factor for gamers, overclockers and PC enthusiasts in general, and Panzer Max-G offers all they could ask for. With support for up to eight fans and four water cooling radiators, you will enjoy more than enough cooling horsepower to keep even the most advanced components safe from overheating. To complement this, its intelligent cable management system will keep all the cables behind the motherboard tray, allowing air to flow unobstructedly and dissipate the internal components' heat.



A WINDOW TO THE HEART OF YOUR PC

To help you fully enjoy your investment, Panzer Max-G supports a full-size tempered glass left panel that give you complete visibility of its interior. It allows you to see all the high-end components and further enhance the majesty of this art piece.



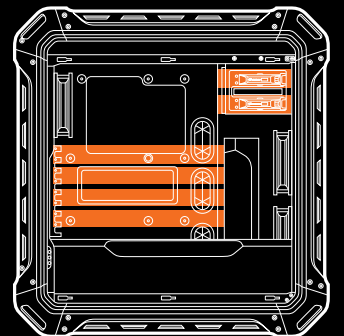
5 MOTHERBOARD FORM FACTORS

Mini ITX / Micro ATX / ATX
CEB
E-ATX (up to 12" x 11")

UP TO FOUR DOUBLE SLOT LONG (UP TO 390MM) GRAPHICS CARDS

8 expansion slots in total

UP TO TWO 5.25" ODD UNITS

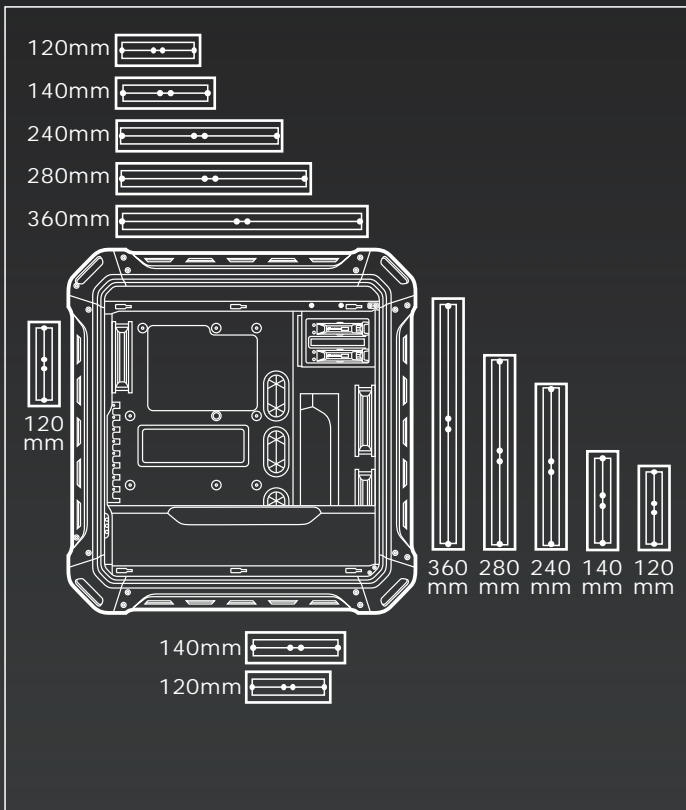




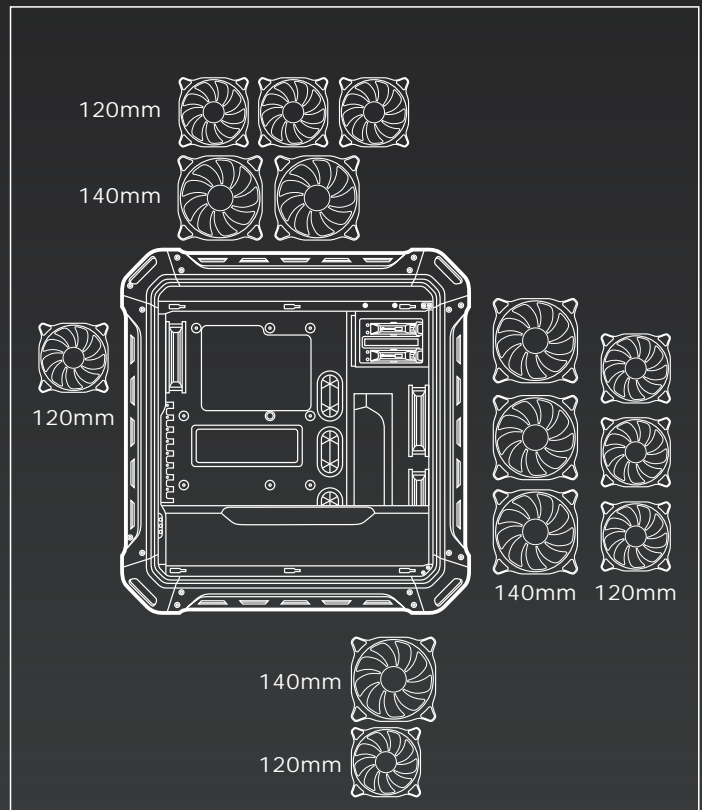
PANZER MAX-G

The Ultimate Full Tower Gaming Case

Water cooling radiator support



Air cooling support



SPECIFICATIONS

Model Name	PANZER MAX-G	
Case Form Factor	Full-Tower	
Motherboard Type	Mini ITX / Micro ATX / ATX / CEB / E-ATX (E-ATX up to 12"x11")	
Dimension (WxHxD)	266 x 612 x 556 (mm) 10.47 x 24.09 x 21.88 (in)	
5.25" Drive Bay	2	
3.5" Drive Bay	2	
2.5" Drive Bay	4+2 (converted from 3.5" drive bays)	
Expansion slots	8	
Cooling System (mm)	Front	120 x 3 / 140 x 3 120 x 3 (Standard (non-LED) Fan Preinstalled)
	Top	120 x 3 / 140 x 2
	Rear	120 x 1 (Standard (non-LED) Fan Preinstalled)
	Bottom	120 x 1 / 140 x 1
I/O Panel	USB3.0 x 2 / USB2.0 x 2 Mic x 1 / Audio x 1 Fan Controller	
Water Cooling Support (mm)	Front	360 / 280 / 240 / 140 / 120
	Top	360 / 280 / 240 / 140 / 120
	Rear	120
	Bottom	140 / 120
Max. Graphic Cards Length	390 (mm) / 15.35 (in)	
Max. CPU Cooler Height	170 (mm) / 6.69 (in)	
PSU	Standard ATX PS2	
Max. PSU Length	220 (mm) / 8.7 (in)	
Cable Management	Yes	
Maximum Number of Fans	8 Max.	