

TV Wall Mount | Articulating Arm | For TVs up to
100"



Actual product may vary from photos

User Manual

SKU#: FPWARTS2

Compliance Statements

Use of Trademarks, Registered Trademarks, and other Protected Names and Symbols

This manual may make reference to trademarks, registered trademarks, and other protected names and/or symbols of third-party companies not related in any way to StarTech.com. Where they occur these references are for illustrative purposes only and do not represent an endorsement of a product or service by StarTech.com, or an endorsement of the product(s) to which this manual applies by the third-party company in question. Regardless of any direct acknowledgement elsewhere in the body of this document, StarTech.com hereby acknowledges that all trademarks, registered trademarks, service marks, and other protected names and/or symbols contained in this manual and related documents are the property of their respective holders.

PHILLIPS® is a registered trademark of Phillips Screw Company in the United States or other countries.

Safety Statements

Safety Measures

- Product installation and/or mounting should be completed by a certified professional as per the local safety and building code guidelines.
- Cables (including power and charging cables) should be placed and routed to avoid creating electric, tripping or safety hazards.

Mesures de sécurité

- L'installation et/ou le montage du produit doit être réalisé par un professionnel certifié et dans le respect des normes locales et du code de construction local.
- Les câbles (y compris les câbles d'alimentation et de chargement) doivent être placés et acheminés de façon à éviter tout risque électrique, de chute ou de sécurité

安全対策

- 製品の設置やマウントは、使用地域の安全ガイドラインおよび建築基準に従い、有資格の専門業者が行うようにしてください。
- ケーブル(電源ケーブルと充電ケーブルを含む)は、適切な配置と引き回しを行い、電気障害やつまづきの危険性など、安全上のリスクを回避するようにしてください。

Misure di sicurezza

- L'installazione e/o il montaggio dei prodotti devono essere eseguiti da un tecnico professionale certificato che conosca le linee guida locali sulle norme edilizie e sulla sicurezza.
- I cavi (inclusi i cavi di alimentazione e di ricarica) devono essere posizionati e stesi in modo da evitare pericoli di inciampo, rischi di scosse elettriche o pericoli per la sicurezza.

Säkerhetsåtgärder

- Installation och/eller montering får endast göras av behöriga yrkespersoner och enligt gällande lokala förordningar för säkerhet och byggnormer.
- Kablar (inklusive elkablar och laddningskablar) ska dras och placeras på så sätt att risk för snubblingsolyckor och andra olyckor kan undvikas.

Warning Statements

- Make sure to assemble this product according to the instructions. Failure to do so might result in personal injury or property damage.
- Make sure that the weight of the TV doesn't exceed the weight capacity of this product. If you exceed the weight capacity, you might experience personal injury or damage to the equipment. This product can support the following weight: Up to 165 lb. (75 kg).
- Never use this product if parts are missing or damaged.
- The wall mount is designed to be installed on a wood stud, solid concrete, or cinder block wall. The wall structure should also be capable of supporting at least four times the weight of the mounted equipment.
- The mounting hardware included with this product may not be adequate for installation on certain wall structures. Failure to comply with these warnings may result in personal injury or damage to the equipment.
- The mounting hardware included with this product might not be adequate for some wall structures. If you lack the necessary expertise to attach this product to the wall structure that you're using, contact a construction professional to install the wall mount or to provide specific mounting instructions for your wall structure.

Mensagens de Aviso

- Certifique-se de que monta este produto de acordo com as instruções. O incumprimento pode resultar em ferimentos pessoais ou danos de propriedade.
- Certifique-se de que o peso do monitor não excede a capacidade de peso deste produto. Se exceder a capacidade de peso, pode sofrer ferimentos pessoais ou danos no equipamento. Este produto pode suportar o seguinte peso: 75 kg.
- Nunca opere este produto se faltarem peças ou estas estiverem danificadas.
- As estruturas de parede variam e é importante certificar-se de que o tipo de estrutura de parede e hardware de montagem que está a usar irá suportar devidamente o equipamento montado. O incumprimento pode resultar em ferimentos pessoais e/ou danos no equipamento. A estrutura de parede deve ser capaz de suportar pelo menos quatro vezes o peso do equipamento montado.
- O hardware de montagem incluído com este produto pode não ser adequado para algumas estruturas de parede. Se não tiver o conhecimento necessário para fixar este produto à estrutura de parede que está a usar, contacte um profissional de construção para fazer a instalação em parede ou

para fornecer instruções de montagem específicas para a sua estrutura de parede.

Varningsmeddelanden

- Se till att du monterar produkten i enlighet med instruktionerna. Om du inte gör det kan skada på person eller egendom uppstå.
- Se till att skärmens vikt inte överstiger produktens viktkapacitet. Om viktkapaciteten överstigs kan skada på person eller utrustning uppstå. Denna produkt har stöd för följande vikter: 75 kg.
- Använd aldrig produkten om delar saknas eller är skadade.
- Eftersom väggstrukturer varierar är det viktigt att kontrollera att väggstrukturen och monteringsutrustningen som du använder klarar av den monterade utrustningen. Om du inte gör det kan skada på person och/eller utrustning uppstå. Väggstrukturen ska kunna klara av minst fyra gånger vikten av den monterade utrustningen.
- Monteringsutrustningen som medföljer produkten kanske inte är lämplig för vissa väggstrukturer. Om du saknar nödvändiga kunskaper för att fästa denna produkt på väggstrukturen som du använder, kontakta en professionell konstruktör för att installera väggmonteringen eller för att ge specifika monteringsinstruktioner för din väggstruktur.

Advertencias de Uso

- Asegúrese de ensamblar este producto según las instrucciones. De lo contrario, pueden producirse lesiones personales o daños en la propiedad.
- Asegúrese de que el peso del monitor no exceda la capacidad de carga de este producto. Si se excede dicha capacidad se podrían producirse lesiones personales o daños al equipo. Este producto tiene la siguiente capacidad de carga: 75 kilogramos.
- Nunca opere o ponga en funcionamiento este producto si faltan piezas o hay daños en las mismas.
- Las estructuras de las paredes pueden variar y, por tanto, es importante determinar con certeza que el tipo de estructura de la pared y el hardware de montaje que se va a utilizar puedan soportar debidamente el equipo. De lo contrario, se pueden producir lesiones personales o daños en el mismo. La estructura de la pared debe ser capaz de soportar al menos cuatro veces el peso del componente instalado.
- El hardware de montaje incluido con este producto puede no ser adecuado para algunas estructuras de pared. Si no tiene la experiencia suficiente para fijar este producto a la estructura de la pared correspondiente, póngase en

contacto con un profesional de la construcción para instalar el soporte de pared o para que le proporcione las instrucciones específicas de montaje para su estructura de pared.

Avertissements

- Assemblez ce produit conformément aux instructions. Si vous ne respectez pas ces instructions, vous risquez de vous blesser ou d'endommager l'équipement.
- Vérifiez que le poids du moniteur ne dépasse pas la capacité pondérale du produit. Si vous dépassez la capacité pondérale, vous risquez des blessures corporelles ou des dommages matériels. Ce produit peut supporter de 75 kg.
- N'utilisez pas ce produit si des pièces sont endommagées ou manquantes.
- Les structures des murs varient. Vous devez impérativement vérifier que le type de mur et le matériel de fixation que vous utilisez permettent de soutenir correctement l'équipement. Dans le cas contraire, vous risquez des blessures corporelles ou des dommages matériels. La structure du mur doit pouvoir supporter au moins quatre fois le poids de l'équipement monté.
- Le matériel de fixation inclus avec ce produit n'est pas forcément approprié pour toutes les structures de murs. Si vous ne disposez pas des compétences nécessaires pour installer ce produit au mur, contactez un professionnel afin qu'il installe le support mural ou qu'il vous fournisse les instructions de montage spécifiques à votre structure de mur.

Waarschuwingen

- Zorg dat dit product volgens de instructies in elkaar wordt gezet. Indien dit niet goed gebeurt kan lichamelijk letsel of materiële schade ontstaan.
- Zorg dat het gewicht van het scherm de maximale capaciteit van dit product niet overschrijdt. Als u de gewichtscapaciteit overschrijdt, kan persoonlijk letsel of schade aan de apparatuur ontstaan. Dit product ondersteunt het volgende gewicht: 75 kg.
- Gebruik dit product nooit als er onderdelen ontbreken of beschadigd zijn.
- Omdat wanden verschillen, is het belangrijk dat u ervoor zorgt dat het type wandstructuur en de montagemiddelen die u gebruikt de gemonteerde apparatuur goed ondersteunen. Indien u dit niet doet kan lichamelijk letsel en/of schade aan de apparatuur ontstaan. De wandstructuur moet voldoende zijn om ten minste vier keer het gewicht van de gemonteerde apparatuur te ondersteunen.
- De bij dit product geleverde montagemiddelen kunnen niet geschikt zijn voor sommige wandstructuren. Als u onvoldoende kennis hebt om dit

product aan de door u gebruikte wandstructuur te bevestigen, neem dan contact op met een bouwkundige om de steun aan de muur te installeren of specifieke montage-instructies voor uw wandstructuur te geven.

Warnhinweise

- Montieren Sie dieses Produkt gemäß den Anweisungen. Anderenfalls kann dies zu Verletzungen von Personen oder Schäden an Eigentum führen.
- Das Gewicht des TVs darf die zulässige Traglast des Produkts nicht übersteigen. Wenn die Traglast überschritten wird, kann dies zu Verletzungen von Personen oder Schäden an Geräten führen. Dieses Produkt ist für folgendes Gewicht geeignet: 75 kg.
- Das Produkt darf nicht bedient werden, wenn Teile fehlen oder beschädigt sind.
- Wandstrukturen unterscheiden sich, und es muss sichergestellt werden, dass die Wand und das verwendete Montagematerial das montierte Gerät halten kann. Anderenfalls kann dies zu Verletzungen von Personen und/oder Schäden an Geräten führen. Die Wand muss mindestens das Vierfache des Gewichts des montierten Geräts halten können.
- Das mitgelieferte Montagematerial ist möglicherweise nicht für jede Wand geeignet. Wenn Ihnen die nötigen Fachkenntnisse zum Anbringen dieses Produkts an einer Wand fehlen, lassen Sie einen Fachmann den Wandhalter anbringen, oder lassen Sie sich von einem Fachmann Montageanweisungen für Ihre Wand erteilen.

注意

- 必ず取扱説明書に従って本製品の組み立てを行って下さい。取り扱いを誤った場合に、傷害を負う恐れや物的損害が発生する恐れがあります。
- 取り付けモニターの重量が、本製品で定められた最大積載重量を超えないようにして下さい。最大積載重量をオーバーした場合、傷害を負う恐れやモニターや本製品に損害が発生する恐れがあります。本製品は、最大75kgまでのモニター重量に対応しています。
- 本製品で使用している部品の一部が紛失していたり損傷している状態で使用するのは絶対に止めて下さい。
- 壁の構造はお客様の環境ごとに異なります。ご使用になる壁の構造タイプと取付け金具が、取り付けモニターを確実に支持することを確認して下さい。確認を怠った場合、傷害を負う恐れや物的損害が発生する恐れがあります。壁の構造が、取り付けモニター重量の最低4倍まで支持できるだけの強度を持っていない限りなりません。
- 本製品に同梱されている取付け金具は、ご使用になる壁の構造に対して十

分ではない場合があります。本製品を壁面に取り付ける時、十分な専門知識が不足していると判断された場合、専門業者に連絡を取って、本製品の取り付けを行ってもらるか、お客様の壁の構造に適した取り付け方法を教えてもらってから取り付けを行って下さい。

Dichiarazioni di avvertenza

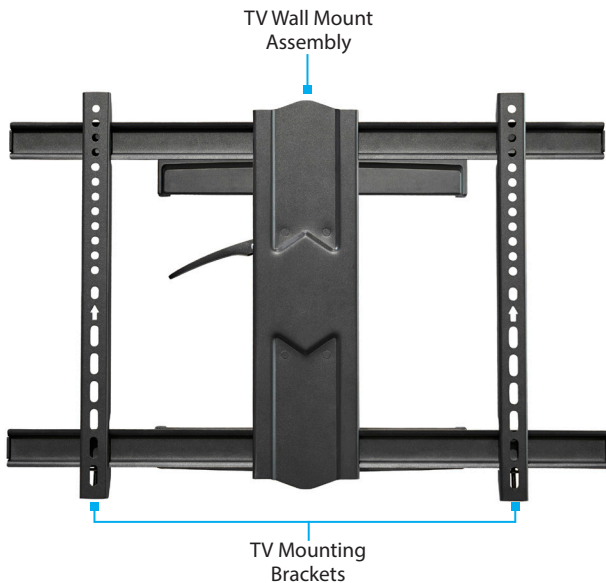
- Assemblare il prodotto rispettando le istruzioni. Il mancato rispetto delle istruzioni potrebbe causare danni a persone o proprietà.
- Verificare che il peso del monitor non superi la capacità di supporto del prodotto. In caso di superamento della capacità di supporto potrebbero verificarsi danni a persone o apparecchiature. Il prodotto è in grado di supportare i seguenti pesi: 75 kg.
- Non utilizzare il prodotto in presenza di parti mancanti o danneggiate.
- Le caratteristiche dei muri sono variabili ed è importante verificare che la struttura muraria e l'hardware di montaggio in uso siano in grado di supportare adeguatamente le apparecchiature montate. Il mancato rispetto delle istruzioni potrebbe causare danni a persone o proprietà. La struttura muraria deve essere in grado di supportare un peso almeno quattro volte superiore a quello dell'apparecchiatura montata.
- L'hardware di montaggio incluso con il prodotto potrebbe non essere adeguato ad alcune strutture murarie. Se l'utente non dispone delle competenze necessarie per agganciare il prodotto alla struttura muraria in uso, dovrà contattare un professionista edile per installare il supporto a parete o ottenere istruzioni di montaggio per la struttura muraria in uso.

Table of Contents

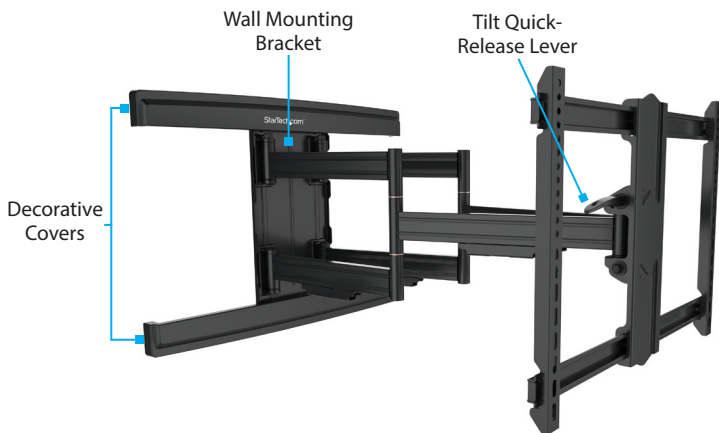
Compliance Statements.....	i
Safety Statements.....	ii
Warning Statements.....	iii
Product Diagram	1
Front View	1
Side View	2
Product Dimensions.....	3
Product Information.....	4
Package Contents	4
Requirements.....	5
Technical Specifications	5
Installation.....	6
Fasten the Wall Mounting Bracket to a Wall	6
Insert and Secure the Mounting Plates.....	7
Attach the Decorative Covers.....	9
Attach the TV Mounting Brackets	10
Attach the TV to the TV Wall Mount Assembly.....	12
Operation.....	13
Adjust the TV.....	13
Cable Management.....	15
Warranty Information	17

Product Diagram

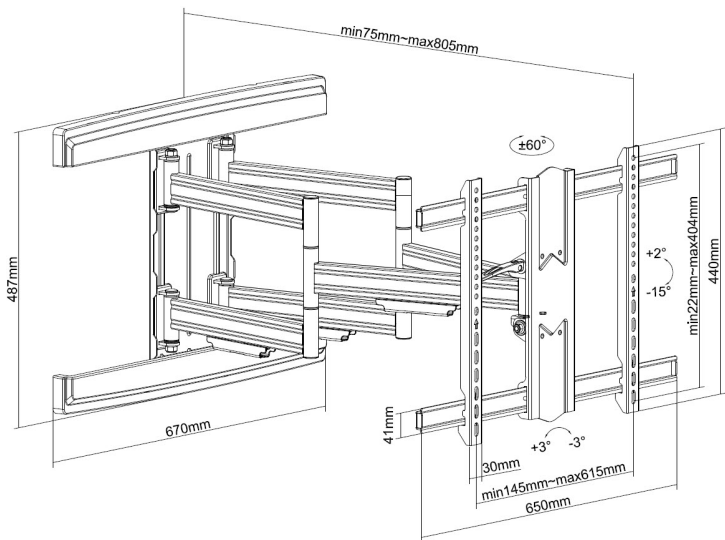
Front View



Side View



Product Dimensions



Product Information

Package Contents

- Wall Mounting Bracket x 1
- Decorative Covers x 2
- Mounting Plates x 2
- M6 x 15 mm Screws x 7
- Small Round Washers x 7
- Wrench x 1
- Hex Key x 1
- M5 x 14 mm Screws x 4
- M6 x 14 mm Screws x 4
- M6 x 30 mm Screws x 4
- M8 x 30 mm Screws x 4
- M8 x 50 mm Screws x 4
- Rectangular Washers x 4
- Small Spacers x 8
- Large Spacers x 8
- Large Round Washers x 6
- User Manual x 1



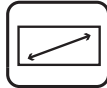


Mounting Hardware

- TV Wall Mount Assembly x 1
- TV Mounting Brackets x 2
- Mounting Screws x 6
- Wall Anchors x 6

Requirements

- VESA Mount Compatible Display
- Phillips Head Screwdriver
- Spirit/Bubble Level
- Mounting Surface

Technical Specifications

Type of Measurement	Measurement
Weight Capacity 	Up to 165 lb. (75 kg)
Tilt 	+2° to -15°
Screen Size 	Up to 100" (2540 mm)
Swivel 	+60° to -60°
VESA Mounting Hole Pattern 	Minimum: 200x100 Maximum: 600x400

Installation

Fasten the Wall Mounting Bracket to a Wall

Warning! *The **TV Wall Mount** is designed to be installed on a wood stud, solid concrete, or cinder block wall. The wall structure should be capable of supporting at least four times the weight of the mounted equipment. The **Mounting Hardware** included with this product may not be adequate for installation on certain wall structures. Contact a construction professional to install the **TV Wall Mount**. Failure to do so may result in personal injury and/or equipment damage.*

- FPWARTS2 can be mounted using the [Mounting Hardware](#) included. Verify that the **Wall Mount Bracket** is level with a **Spirit/Bubble Level** before fastening it to your **Mounting Surface**.

Attach the TV Wall Mount Assembly

1. Lift the **TV Wall Mount** assembly up and towards the **Wall Mounting Bracket**.
2. Hook the top of the **TV Wall Mount Assembly** onto the top edge of the **Wall Mounting Bracket**.
3. Lower the bottom portion of the **TV Wall Mount Assembly** until it makes contact with the **Wall Mounting Bracket**.
(Figure 1)

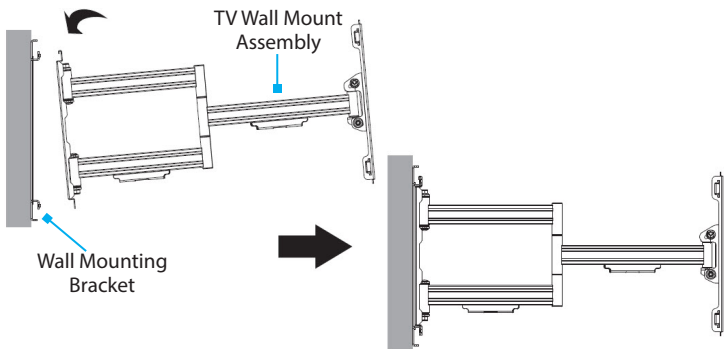


Figure 1

Insert and Secure the Mounting Plates

1. Determine the final location of the **TV Wall Mounting Assembly** along the **Wall Mounting Bracket** and slide the **TV Wall Mounting Assembly** into that location. (Figure 2)

Note: Ensure the holes in the **TV Wall Mounting Assembly** are aligned with the holes in the **Wall Mounting Bracket**.

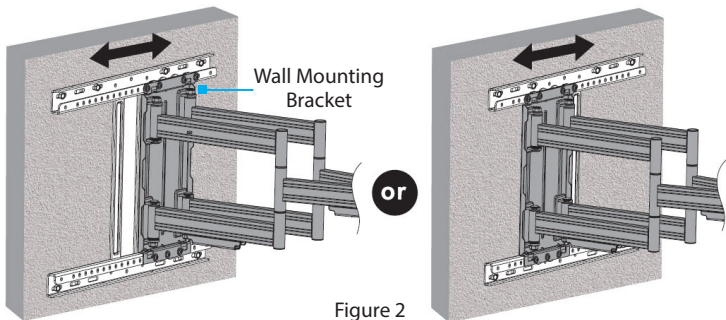


Figure 2

2. Insert one **Mounting Plate** behind the top of the **TV Wall Mount Assembly**, where the **TV Wall Mount Assembly** makes contact with the **Wall Mounting Bracket**. Ensure the **Mounting Plate** is oriented so that the two bumps are pointing upwards.
3. Align the holes in the **Mounting Plate** with the holes in the **TV Wall Mount Assembly** and the **Wall Mounting Bracket**. (Figure 3)

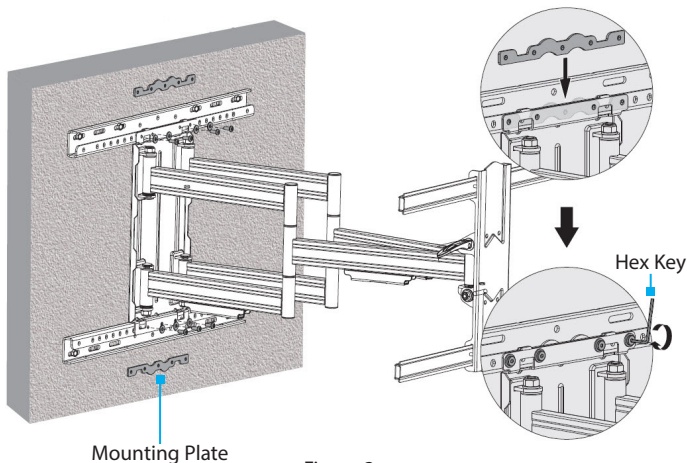


Figure 3

4. While holding the **Mounting Plate** in place, insert four **M6 x 15 mm Hex Screws** through four **Small Round Washers** and into the holes in the top of the **TV Wall Mount Assembly**, **Wall Mounting Bracket**, and **Mounting Plate**.
5. Partially tighten the four **M6 x 15 mm Hex Screws** with the **Hex Key**.

6. Insert one **Mounting Plate** behind the bottom of the **TV Wall Mount Assembly**, where the **TV Wall Mount Assembly** makes contact with the **Wall Mounting Bracket**. Ensure the **Mounting Plate** is oriented so that the two bumps are pointing downwards.
7. Align the holes in the **Mounting Plate** with those found in the **TV Wall Mount Assembly** and the **Wall Mounting Bracket**.
8. While holding the **Mounting Plate** in place, insert three **M6 x 15 mm Hex Screws** through three **Small Round Washers** and into the holes in the bottom of the **TV Wall Mount Assembly**, **Wall Mounting Bracket**, and **Mounting Plate**.
9. Tighten all seven **M6 x 15 mm Hex Screws** with the **Hex Key**.

Attach the Decorative Covers

- Attach the upper and lower **Decorative Covers** by sliding each **Decorative Cover** onto the **TV Wall Mount Assembly**, until you hear or feel the **Tabs** of each **Decorative Cover** snap into place. (Figure 4)

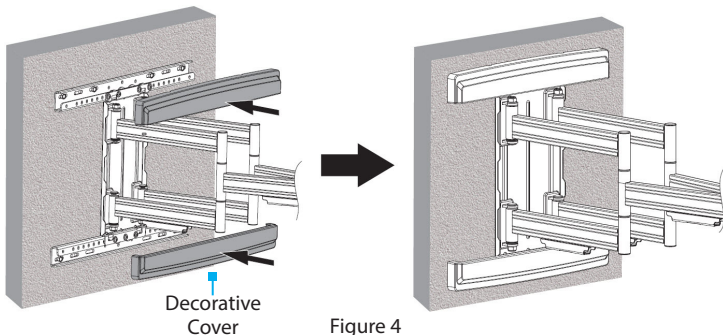


Figure 4

Attach the TV Mounting Brackets

1. Place your **TV** on a padded surface, screen side down, so that you can access the back of the **TV**.
2. (Optional) Identify and remove the pre-installed **VESA Hardware** from the back of your **TV**.

Note: Not all **TVs** will have placeholder **VESA Hardware**. Ensure you are only removing the four **Screws** for the **VESA Mount**. Do not remove any of the screws from your **TV's** structural assembly.

3. (Optional) If the **M-Type Screws** provided are too long for your application, place the necessary number of **Small** and/or **Large Spacers** over each **VESA Mounting Hole**. (Figure 5)

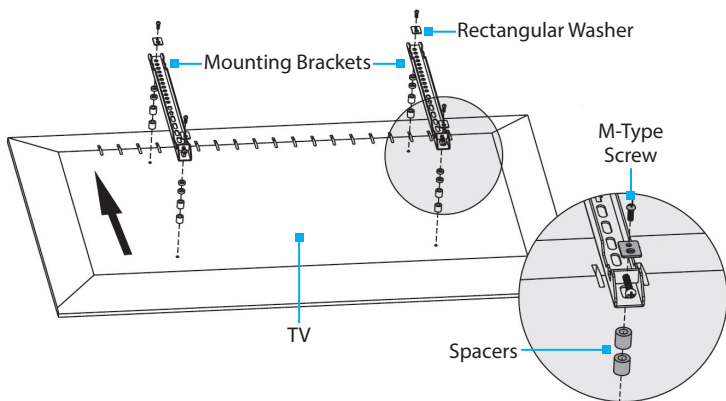


Figure 5

- Place the **TV Mounting Brackets**, parallel to one another, on the back of the **TV** over the **VESA Mounting Holes**. The arrows on the **TV Mounting Brackets** should be pointing towards the bottom of the **TV**. (Figure 3)
- Place the four **Rectangular Washers** onto the **TV Mounting Brackets**. Align the holes in the **Rectangular Washers** with the **VESA Mounting Holes**.

Note: Each **Rectangular Washer** features two holes. Select the hole that fits the **M-Type Screws**.

- Thread the appropriately sized **M-Type Screws** (e.g. **M5 x 14 mm Screws**) through the **Rectangular Washers**, **TV Mounting Brackets**, (Optional) **Spacers**, and into your **TV**. (Figure 6)

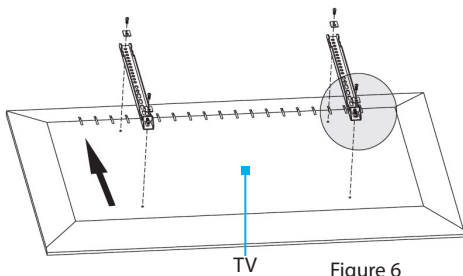
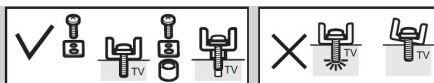
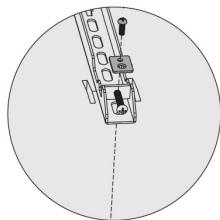


Figure 6



7. Tighten the **M-Type Screws** with a **Phillips Head Screwdriver**, until each **Screw** is flush with the surface of the **Vertical Bracket**.

Warning! Do not overtighten the **M-Type Screws**. If you encounter any unexpected resistance as you are fastening these **Screws**, immediately stop and attempt to use a different length of **M-Type Screw**.

Attach the TV to the TV Wall Mount Assembly

1. Using a **Phillips Head Screwdriver**, remove the **Screws** located at the bottom of the **TV Mounting Brackets**.
2. With two people: lift and hang the **TV** onto the **TV Wall-Mount Assembly**.

Tip: Align the top hooks of the **TV Mounting Brackets** with the top rails of the **TV Wall-Mount Assembly**. (Figure 7)

Note: User proper lifting technique when lifting the **TV**.

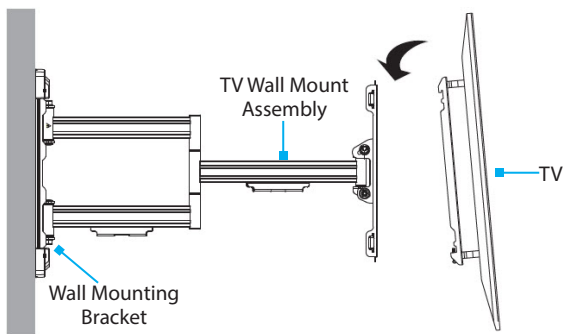


Figure 7

3. Insert the **Screws** back into the bottom of the **TV Mounting Brackets**. Tighten using a **Phillips Head Screwdriver**. (Figure 8)

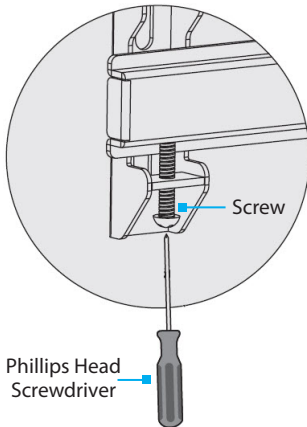


Figure 8

Operation

Adjust the TV

Caution! Ensure that your fingers are clear from all moving parts and pinch points while adjusting your **TV**.

Adjust the Rotation

Note: It is recommend that two people should complete the following rotation adjustment steps.

1. Partially loosen the four **Nuts**, located on the back of the **H-Bracket**, using the **Wrench**.

2. Rotate the **TV** so that it is level.

Tip: Use a **Spirit/Bubble Level**.

3. Tighten the four **Nuts**, located on the back of the **H-Bracket**, using the **Wrench**. (Figure 9)

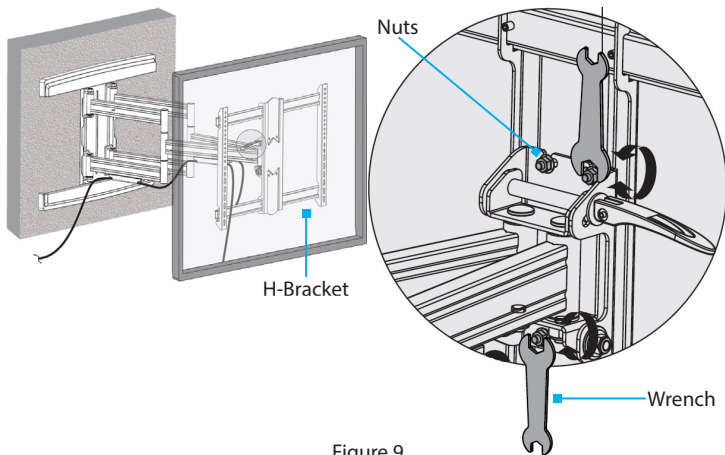


Figure 9

Adjust the Tilt

1. Push down the **Tilt Quick-Release Lever**, located on the back of the **H-Bracket**.
2. Adjust the tilt angle by tilting the **TV** forwards or backwards.
3. Pull up the **Tilt Quick-Release Lever**, located on the back of the **H-Bracket**. (Figure 10)

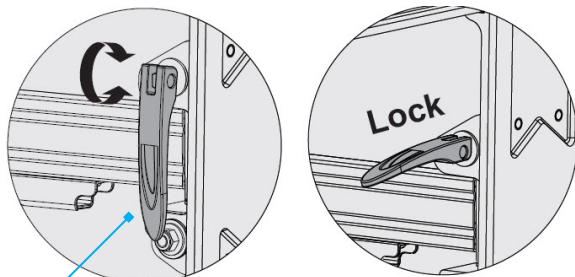


Figure 10

Adjust the Swivel

Adjust the **TV** by swiveling it to the desired viewing angle.

Cable Management

1. Connect all of the **Power** and **Video Cables** to the **TV**.
2. Clip the **Power** and **Video Cables** into the two **Cable Management Housings**, located on the bottom of the **TV Wall Mount Assembly**. (Figure 11)
3. (Optional) Route the other end of your **Cables** behind your **Mounting Surface**.

Note: Consult a professional in order to complete this portion of the installation. Special tools, installation procedures, and even specialized cables are required for in wall cable management.

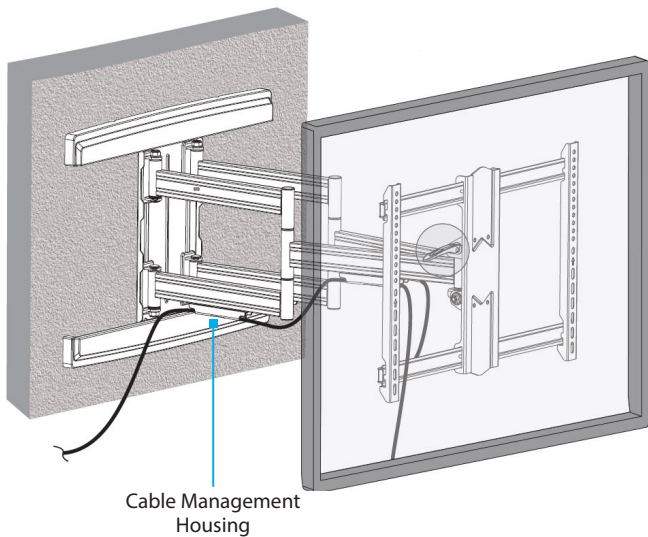


Figure 11

Warranty Information

This product is backed by a five-year warranty.

For further information on product warranty terms and conditions, please refer to www.startech.com/warranty.

Limitation of Liability

In no event shall the liability of StarTech.com Ltd. and StarTech.com USA LLP (or their officers, directors, employees or agents) for any damages (whether direct or indirect, special, punitive, incidental, consequential, or otherwise), loss of profits, loss of business, or any pecuniary loss, arising out of or related to the use of the product exceed the actual price paid for the product.

Some states do not allow the exclusion or limitation of incidental or consequential damages. If such laws apply, the limitations or exclusions contained in this statement may not apply to you.

Hard-to-find made easy. At StarTech.com, that isn't a slogan. It's a promise.

StarTech.com is your one-stop source for every connectivity part you need. From the latest technology to legacy products — and all the parts that bridge the old and new — we can help you find the parts that connect your solutions.

We make it easy to locate the parts, and we quickly deliver them wherever they need to go. Just talk to one of our tech advisors or visit our website. You'll be connected to the products you need in no time.

Visit www.startech.com for complete information on all StarTech.com products and to access exclusive resources and time-saving tools.

StarTech.com is an ISO 9001 Registered manufacturer of connectivity and technology parts. StarTech.com was founded in 1985 and has operations in the United States, Canada, the United Kingdom and Taiwan servicing a worldwide market.

Reviews

Share your experiences using StarTech.com products, including product applications and setup, what you love about the products, and areas for improvement.

StarTech.com Ltd.

45 Artisans Cres.
London, Ontario
N5V 5E9
Canada

FR: fr.startech.com

DE: de.startech.com

StarTech.com LLP

2500 Creekside Pkwy.
Lockbourne, Ohio
43137
U.S.A.

ES: es.startech.com

NL: nl.startech.com

StarTech.com Ltd.

Unit B, Pinnacle
15 Gowerton Rd.,
Brackmills
Northampton
NN4 7BW
United Kingdom

IT: it.startech.com

JP: jp.startech.com