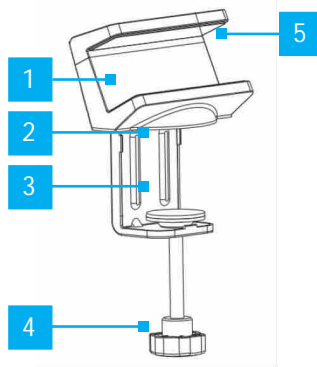


Power Strip Desk Clamp

Product Diagram (PWRSTRPCLMP)



Component	Function
1 Adjustable Clamp	<ul style="list-style-type: none"> Used to hold the Power Strip in place. The Adjustable Clamp can support devices between 40 mm - 60 mm (1.6" - 2.4") wide.
2 EVA Form Pad (x 2)	<ul style="list-style-type: none"> Used to prevent surface scratches.
3 C-Clamp	<ul style="list-style-type: none"> Used to secure the Power Strip Desk Clamp to the edge of a surface. Clamps to surfaces up to 50 mm (2") thick.
4 Thumb Screw	<ul style="list-style-type: none"> Used to tighten the C-Clamp securing it to the surface.
5 Silicone Pad (x 2)	<ul style="list-style-type: none"> Used to securely grip the clamped Device.

Requirements

For the latest requirements, please visit www.startech.com/PWRSTRPCLMP

Installation

1. Align the **C-Clamp** with the edge of the surface and slide it over the edge of the surface.
2. Using the **Thumb Screw** tighten the **C-Clamp** until the **C-Clamp** is pressed tightly against the surface.

3. Slide the **Device** (e.g. Power Strip) into the **Adjustable Clamp**, securing the **Device** in place. The **Power Strip Desk Clamp** will adjust to the size of the **Device**, between 40 mm - 60 mm (1.6" - 2.4") wide.



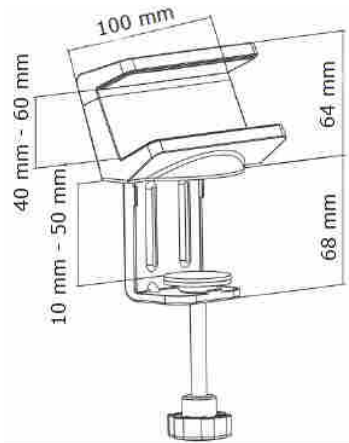
Adjusting the Power Stripe Desk Clamp

4. Route the **Power Cable** down the back of the **Power Strip Desk Clamp** and through the **Cable Management Clip**.



Routing the Cable

Product Dimensions



Use of Trademarks, Registered Trademarks, and other Protected Names and Symbols

This manual may make reference to trademarks, registered trademarks, and other protected names and/or symbols of third-party companies not related in any way to StarTech.com. Where they occur these references are for illustrative purposes only and do not represent an endorsement of a product or service by StarTech.com, or an endorsement of the product(s) to which this manual applies by the third-party company in question. StarTech.com hereby acknowledges that all trademarks, registered trademarks, service marks, and other protected names and/or symbols contained in this manual and related documents are the property of their respective holders.

Warranty Information

This product is backed by a one-year warranty.

For further information on product warranty terms and conditions, please refer to www.startech.com/warranty.

Limitation of Liability

In no event shall the liability of StarTech.com Ltd. and StarTech.com USA LLP (or their officers, directors, employees or agents) for any damages (whether direct or indirect, special, punitive, incidental, consequential, or otherwise), loss of profits, loss of business, or any pecuniary loss, arising out of or related to the use of the product exceed the actual price paid for the product. Some states do not allow the exclusion or limitation of incidental or consequential damages. If such laws apply, the limitations or exclusions contained in this statement may not apply to you.

StarTech.com Ltd. 45 Artisans Cres London, Ontario N5V 5E9 Canada	StarTech.com LLP 2500 Creekside Parkwy Lockbourne, Ohio 43137 U.S.A.	StarTech.com Ltd. Unit B, Pinnacle 15 Gowerton Rd, Brackmills Northampton NN4 7BW United Kingdom	FR: startech.com/fr DE: startech.com/de ES: startech.com/es NL: startech.com/nl IT: startech.com/it JP: startech.com/jp
--	--	---	--