

# AIM-68

## 10.1" Industrial Tablet with Intel® Atom™ Processor



### Features

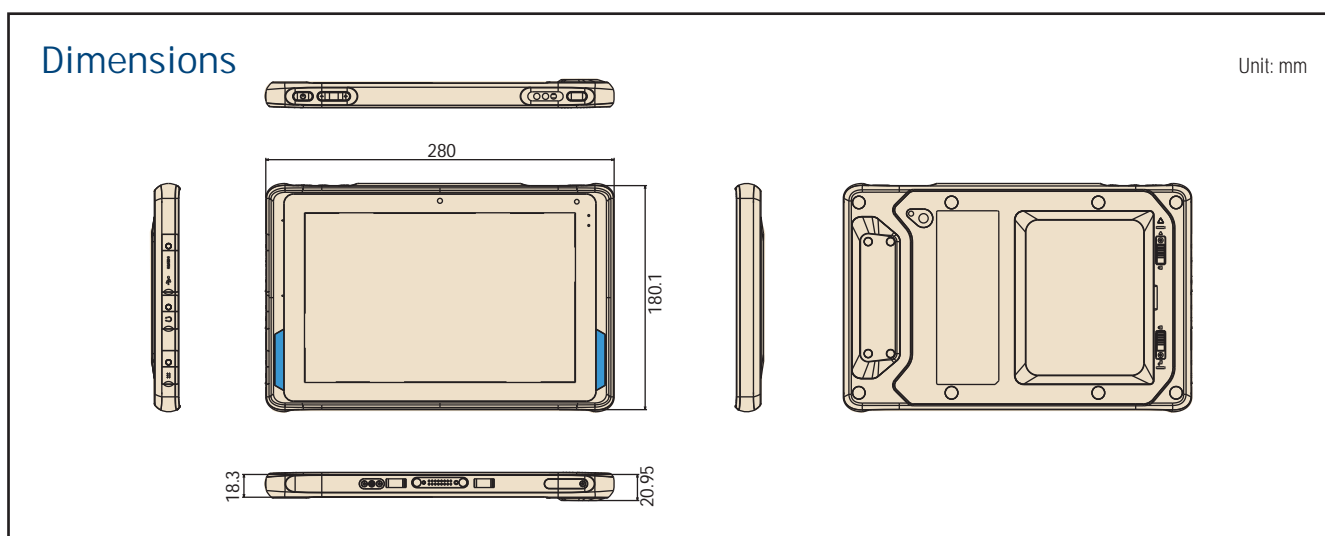
- Intel® Atom™ processor with Windows 10 IoT & Android 6.0 operating systems
- 10.1" WUXGA full HD display with scratch-resistant Corning® Gorilla® Glass 3 and multi-touch PCAP control
- WLAN, BT, NFC & 4G LTE technologies for seamless communication
- Optional docking stations include vehicle, VESA, and desk docking stations
- Optional extension modules such as 1D/2D barcode scanners and a LAN+COM module
- Optional accessories include a stylus, hand strap, and shoulder strap
- Additional modules and accessories can be customized according to application requirements



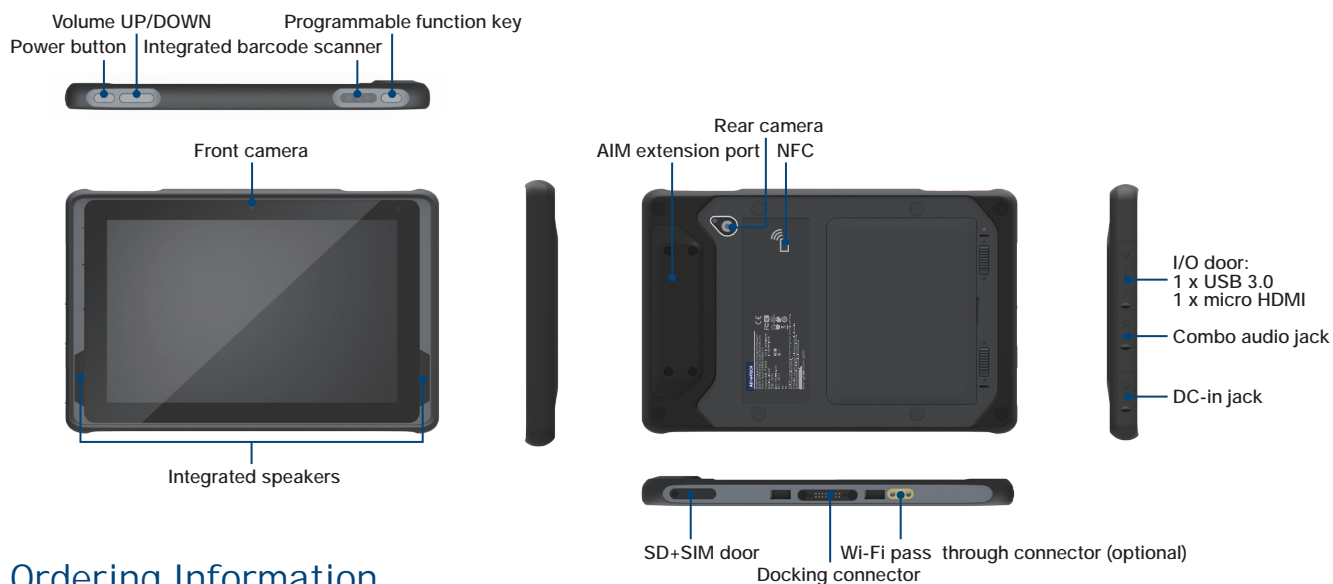
### Specifications

|                        |                             |   |
|------------------------|-----------------------------|---|
| System                 | Processor                   | Intel® Atom™ x7-Z8750 quad-core, 1.6 Ghz (2M cache, up to 2.56 Ghz)   |
|                        | Memory                      | 4 GB LPDDR3 (up to 8 GB)  |
|                        | OS                          | Windows 10 IoT Enterprise, AIM Android 6.0  |
| Storage                | eMMC                        | 64 GB default (up to 128 GB)  |
| Display                | Type                        | 10.1" FHD LCD   |
|                        | Resolution                  | WUXGA 1920 x 1200   |
|                        | Brightness                  | 380/800 cd/m <sup>2</sup> (optional)  |
| Touch Panel            | Construction                | Corning® Gorilla® Glass 3 with 10-point P-CAP touch control   |
| Audio                  | Speaker                     | 2 x internal speakers (2 W)   |
|                        | Audio Jack                  | 1 x audio combo jack (combines stereo audio output and mono microphone input)   |
| Camera                 | Front                       | 2.0-megapixel auto-focus camera   |
|                        | Rear                        | 5.0-megapixel auto-focus camera with LED flash  |
| Sensors                |                             | Ambient Light Sensor, G-sensor / eCompass   |
| Barcode Scanner        | Barcode Scanner (Optional)  | Integrated 1D/2D barcode scanner  |
| I/O Interface          | Standard I/O                | 1 x micro HDMI, 1 x USB 3.0, 1 x combo audio jack, 1 x 19 VDC-in jack, 1 x SIM card reader, 1 x micro SD card reader  |
|                        | Extended I/O                | 1 x AIM module pogo pin connector at rear for supporting AIM extension modules  |
|                        | Docking                     | 16-pin pogo pin connector   |
|                        | Buttons                     | 1 x power button, 2 x volume keys (up/down), 1 x programmable function key  |
|                        | LED Indicator               | Full: green (100%); Charging: blue; Low: red (≤10%)   |
| Wireless Communication | WLAN/Bluetooth              | IEEE 802.11a/b/g/n/ac, Bluetooth® v4.1  |
|                        | WWAN (Optional)             | 4G LTE module with AGPS   |
|                        | NFC                         | 13.56 MHz   |
| GNSS                   | Satellite System (Optional) | Standalone GPS supports GLONASS, BeiDou   |
| Power System           | Power Adapter               | Input: 100-240 V ~ 1.5 A 50/60 Hz, Output: 19 V, Max.65 W   |
|                        | Battery                     | Hot-swappable smart battery with capacity LED indicators; Capacity: 26 WHr<br>Operating time: Approx. 5.5hrs operation (dependent on user scenario*),<br>Charging time: <3hrs |
| Mechanical             | Dimensions (W x D x H)      | 280 x 18.3 x 180.1 mm (11 x 0.7 x 7.1 in)   |
|                        | Weight                      | Approx. 980 g (2.2 lb)  |
| Environment            | Operating Temperature       | -10 ~ 50 °C (14 ~ 122 °F)   |
|                        | Storage Temperature         | -20 ~ 70 °C (-4 ~ 158 °F)   |
|                        | IP Rating                   | IP65  |
|                        | Shock                       | Operating: 10 ~ 20 G, 11 ms; Non-operating: 50 G, 11 ms   |
|                        | Vibration                   | Operating: (5 ~ 500 Hz) 0.5 ~ 1 G; Non-operating: (5 ~ 500 Hz) 0.04 PSD   |
|                        | Humidity                    | Operating: 10 ~ 90% @ 40 °C non-condensing<br>Storage: -10 ~ 95% non-condensing   |
|                        | Altitude                    | Operating: sea level 0 to 3048 m (10k ft); Storage: sea level 0 to 12192 m (40k ft)   |
|                        | Drop Tested                 | Up to 120 cm (4 ft) onto plywood over concrete  |
|                        | Certifications/Safety/EMC   | CE, CB, VCCI, UL60950 (ITE), UL2054, UN38.3, IEC62133, PSE for battery pack, FCC ID/PTCRB/R&TTE/SRRC/TELEC, FCC15 Class B, CE Mark (DOC Class B), REACH, RoHS                 |

\*\*Testing method: JEITA 2.0. The battery duration and recharge time may vary according to different factors such as screen brightness, applications, features, power management, battery condition, and other configurable settings.



### Front/Rear/Side I/O View



### Ordering Information

| Part Number       | CPU               | Memory | Storage | LCD      | Barcode | NFC | Wi-Fi/BT | Wi-Fi Pass Through | LTE+GPS | F-Camera | R-Camera | OS                    |
|-------------------|-------------------|--------|---------|----------|---------|-----|----------|--------------------|---------|----------|----------|-----------------------|
| AIM-68CT-C2101000 | Intel CHT I Z8750 | 4 GB   | 64 GB   | 380 nits | X       | V   | V        | X                  | X       | 2M       | 5M       | Win 10 IoT Enterprise |
| AIM-68CT-C21B1000 | Intel CHT I Z8750 | 4 GB   | 64 GB   | 380 nits | V       | V   | V        | X                  | X       | 2M       | 5M       | Win 10 IoT Enterprise |
| AIM-68CT-C2103000 | Intel CHT I Z8750 | 4 GB   | 64 GB   | 380 nits | X       | V   | V        | X                  | V (NA)  | 2M       | 5M       | Win 10 IoT Enterprise |
| AIM-68CT-C2105000 | Intel CHT I Z8750 | 4 GB   | 64 GB   | 380 nits | X       | V   | V        | X                  | V (EU)  | 2M       | 5M       | Win 10 IoT Enterprise |
| AIM-68CT-C2104000 | Intel CHT I Z8750 | 4 GB   | 64 GB   | 800 nits | X       | V   | V        | V                  | V (NA)  | 2M       | 5M       | Win 10 IoT Enterprise |
| AIM-68CT-C2106000 | Intel CHT I Z8750 | 4 GB   | 64 GB   | 800 nits | X       | V   | V        | V                  | V (EU)  | 2M       | 5M       | Win 10 IoT Enterprise |
| AIM-68CT-C3101000 | Intel CHT I Z8750 | 4 GB   | 64 GB   | 380 nits | X       | V   | V        | X                  | X       | 2M       | 5M       | Android 6.0           |
| AIM-68CT-C31B1000 | Intel CHT I Z8750 | 4 GB   | 64 GB   | 380 nits | V       | V   | V        | X                  | X       | 2M       | 5M       | Android 6.0           |
| AIM-68CT-C3103000 | Intel CHT I Z8750 | 4 GB   | 64 GB   | 380 nits | X       | V   | V        | X                  | V (NA)  | 2M       | 5M       | Android 6.0           |
| AIM-68CT-C3104000 | Intel CHT I Z8750 | 4 GB   | 64 GB   | 380 nits | X       | V   | V        | X                  | V (EU)  | 2M       | 5M       | Android 6.0           |
| AIM-68CT-C3105000 | Intel CHT I Z8750 | 4 GB   | 64 GB   | 800 nits | X       | V   | V        | V                  | V (NA)  | 2M       | 5M       | Android 6.0           |
| AIM-68CT-C3106000 | Intel CHT I Z8750 | 4 GB   | 64 GB   | 800 nits | X       | V   | V        | V                  | V (EU)  | 2M       | 5M       | Android 6.0           |

### Optional Accessories

| Part Number   | Description                         |
|---------------|-------------------------------------|
| 1700001947    | Power cord UL 2P 7A 125 V 183 cm    |
| 1700002141    | Power cord PSE 2P 7A 125 V 183 cm   |
| 1700008972    | Power cord CCC 2P 2.5A 250 V 183 cm |
| 1700001948-11 | Power cord EU 2P 2.5A 250 V 183 cm  |

### AIM-68 Packing List

| Description                           |
|---------------------------------------|
| 1 x AIM-68                            |
| 1 x 10.8V/2400mAh lithium-ion battery |
| 1 x AC/DC adaptor                     |
| 1 x 2-pin power cord                  |

For sales inquiries or further information, please contact us at [Mobile@advantech.com.tw](mailto:Mobile@advantech.com.tw)

# AIM-VEH10

## Vehicle Docking Stations for AIM-68 Industrial-Grade Tablet



### Features

- Compatible with 9 ~ 32 V<sub>DC</sub> in-vehicle power supply
- Easy and instant single-handed docking and undocking
- Anti-theft locking mechanism
- External GPS antenna
- Programmable function keys
- High-density connectors
- Compliant with SAE J1455 for vibration and shock tolerance
- Safe and reliable design for vehicle applications



### Specifications

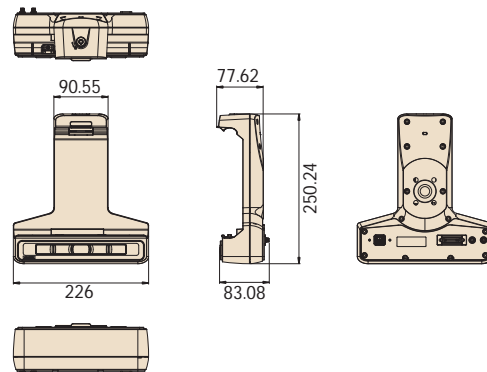
|               |                          | Fully Configured Unit  | Charging Dock Only      |
|---------------|--------------------------|--|-------------------------|
| I/O           | High-Density Connector   | 1 x CAN bus (supports raw CAN, J1939, OBD-II/ISO 15765) with configurable firmware<br>5 x Digital inputs<br>1 x Odometer (supports dry and wet contact) with configurable and switchable firmware (default wet contact)<br>2 x Digital outputs (supports speed pulse)<br>1 x RS-232 (4 wire)<br>1 x RS-232/485 (2 wire) (default RS-485, termination enabled)<br>1 x USB 2.0<br>1 x Power input 12 V 1 A<br>1 x RF pass through (optional) | 1 x Power input 12 V 1A |
| GPS           | GPS Extended             | 1 x External GPS antenna   | N/A                     |
| Function Keys |                          | 5 x Programmable function keys   | N/A                     |
| Key Lock      |                          | Anti-theft key lock (key can be removed)   | N/A                     |
| Power         | Input Voltage            | Supports 12/24 V vehicle power (9 ~ 32 VDC input range)  |                         |
| Mechanical    | Dimensions (W x D x H)   | 226 x 78.6 x 250.24 mm (8.9 x 3.1 x 9.9 in)  |                         |
|               | Weight                   | 0.5 kg (1.10 lb) (TBD)   |                         |
| Environment   | Operating Temperature    | -10 ~ 50 °C (14 ~ 122 °F); 0 ~ 40 °C (32 ~ 104 °F) for charging  |                         |
|               | Storage Temperature      | -30 ~ 80 °C (-22 ~ 176 °F)   |                         |
|               | IP Rating                | IP54   |                         |
|               | Vibration/Shock          | SAE J1455  |                         |
|               | Safety                   | UL, CB, LVD, CCC   |                         |
|               | Vehicle Power Regulation | E-Mark, ISO7637-2  |                         |
|               | Certifications           | CE, FCC, CCC   |                         |

### Ordering Information

| Part Number      | Description  |
|------------------|--|
| TBD              | AIM vehicle docking station (full configuration)     |
| TBD              | AIM vehicle docking station (charging only)          |
| 1700026766-01    | High-density cable                                   |
| PWS-770-GPSAN00E | External GPS antenna                                 |
| 1700027666-01    | Vehicle power cable (In-house engineer testing only) |
| 1700027665-01    | Vehicle power cable (vehicle battery)                |

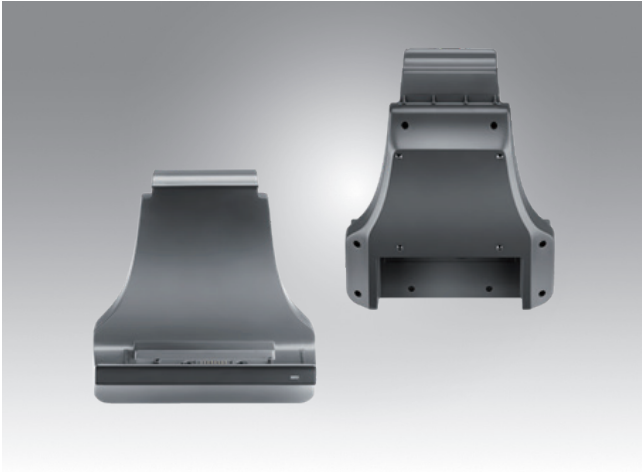
### Dimensions

Unit: mm



# AIM-VSD

## VESA Docking Stations for AIM-68



### Features

- 9 ~ 32 V wide input voltage range
- VESA (75 x 75 mm)-compliant docking stations
- -10 ~ 50 °C (14 ~ 122 °F) operating temperature
- Reliable docking connector for office applications

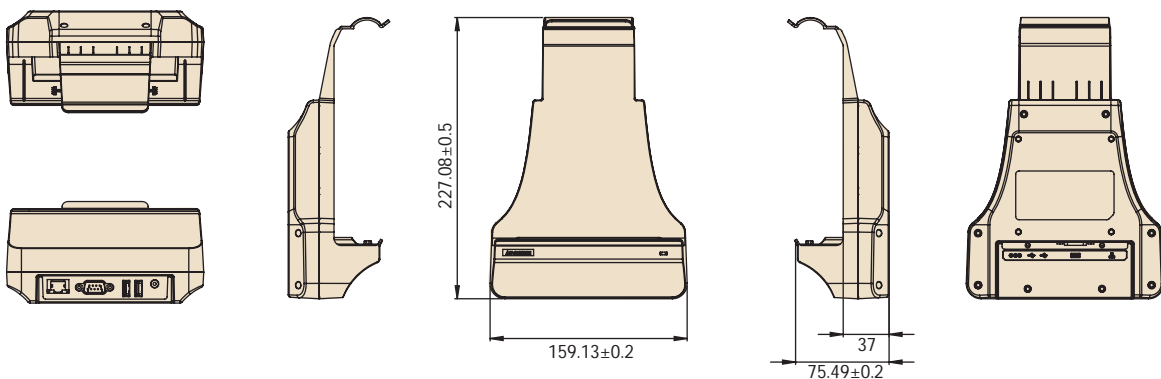
CE FCC

### Specifications

|             |                        | AIM 10 Advanced VESA Docking Station                                   | AIM 10 VESA Docking Station with USB                            |
|-------------|------------------------|--|---|
| I/O         |                        | 2 x USB 3.0/2.0<br>1 x RS-232 COM<br>1 x Gigabit LAN<br>1 x Power jack | 2 x USB 2.0<br>1 x Power jack                                   |
| Stand       |                        | N/A  | N/A   |
| Power       | Input Voltage          | 9 ~ 32 V   | 19 V  |
| Mechanical  | Dimensions (W x D x H) | 159.13 x 75.49 x 227 mm (6.3 x 2.9 x 8.9 in)                           | 159.13 x 75.49 x 227 mm (6.3 x 2.9 x 8.9 in)                    |
|             | Weight                 | 0.282 kg (0.62 lb)   | 0.28 kg (0.61 lb)   |
| Environment | Operating Temperature  | -10 ~ 50 °C (14 ~ 122 °F); 0 ~ 40 °C (32 ~ 104 °F) for charging        | -10 ~ 50 °C (14 ~ 122 °F); 0 ~ 40 °C (32 ~ 104 °F) for charging |
|             | Storage Temperature    | -20 ~ 70 °C (-4 ~ 158 °F)  | -20 ~ 70 °C (-4 ~ 158 °F)                                       |
|             | Safety                 | UL, CB, LVD, CCC   | UL, CB, LVD, CCC  |
|             | Certifications         | CE, FCC, CCC   | CE, FCC, CCC  |

### Dimensions

Unit: mm



### Ordering Information

| Part Number   | Description                          |
|---------------|--------------------------------------|
| AIM-VSD0-0470 | AIM 10 advanced VESA docking station |
| AIM-VSD0-0471 | AIM 10 VESA docking station with USB |

# AIM-DDS

## Desk Docking Stations for AIM-68



### Features

- -10 ~ 50 °C (14 ~ 122 °F) operating temperature
- Reliable docking connector for office applications

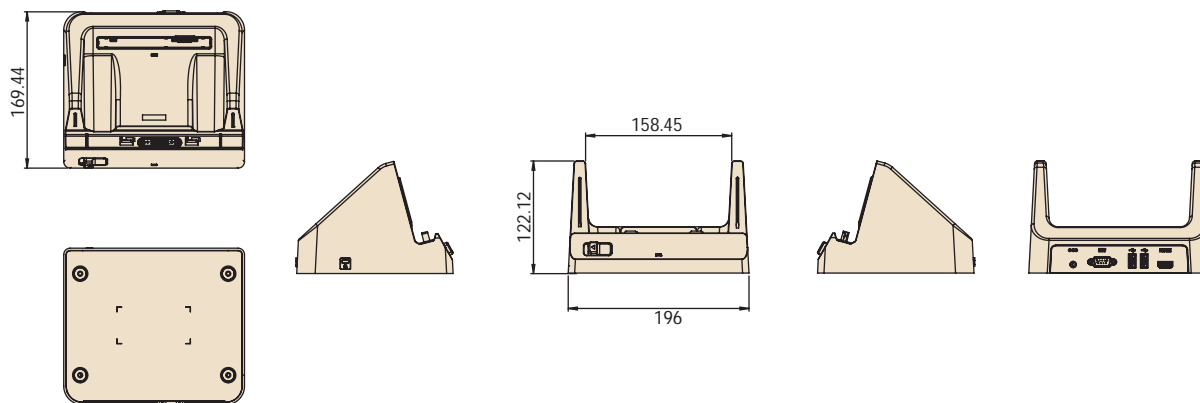
CE FCC CCC

### Specifications

|             |                        | AIM Advanced Desk Docking Station                                  | AIM 10 Desk Docking Station  |
|-------------|------------------------|--|--|
| I/O         |                        | 2 x USB 2.0<br>1 x RS-232 COM<br>1 x Power jack<br>1 x HDMI        | 2 x USB 2.0<br>1 x Power jack                                      |
| Power       | Input Voltage          | 19 V   | 19 V   |
| Mechanical  | Dimensions (W x D x H) | 196 x 169.44 x 122.12 mm (7.72 x 6.67 x 4.81 in)                   | 196 x 169.44 x 122.12 mm (7.72 x 6.67 x 4.81 in)                   |
|             | Weight                 | 0.745 kg (1.64 lb)   | 0.73 kg (1.60 lb)  |
| Environment | Operating Temperature  | -10 ~ 50 °C (14 ~ 122 °F); 0 ~ 40 °C (32 ~ 104 °F)<br>for charging | -10 ~ 50 °C (14 ~ 122 °F); 0 ~ 40 °C (32 ~ 104 °F)<br>for charging |
|             | Storage Temperature    | -20 ~ 70 °C (-4 ~ 158 °F)  | -20 ~ 70 °C (-4 ~ 158 °F)  |
|             | Safety                 | CE, FCC, CCC   | UL, CB, LVD, CCC   |
|             | Certifications         | UL, CB, LVD, CCC   | CE, FCC, CCC   |

### Dimensions

Unit: mm

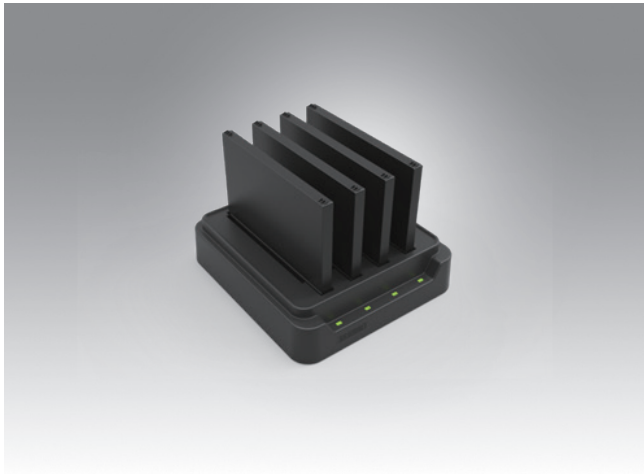


### Ordering Information

| Part Number   | Description                       |
|---------------|-----------------------------------|
| AIM-OFD0-0480 | AIM 10 advanced desk dock station |
| AIM-OFD0-0481 | AIM 10 desk dock station          |

# AIM-MCS

## Multi-Bay Charging Station for AIM



### Features

- Can charge up to 4 batteries simultaneously
- Overcurrent and overvoltage protection provided
- LED indicators for monitoring charging status

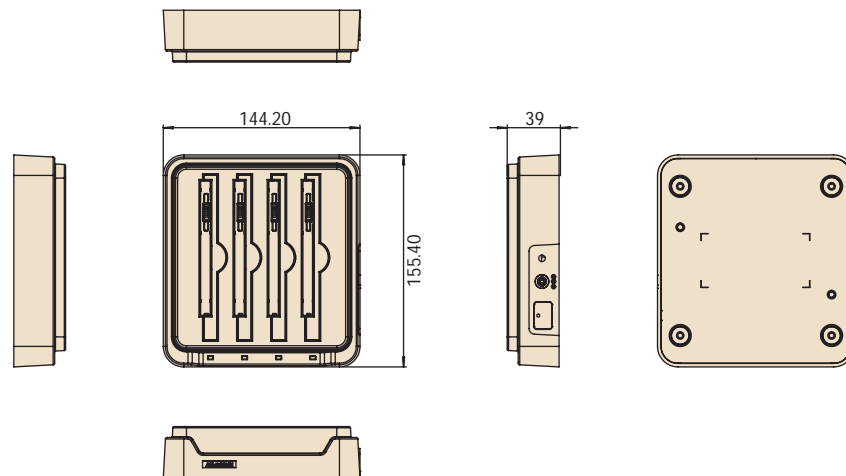


### Specifications

|                |                        | Multi-Battery Charging Station for AIM       |
|----------------|------------------------|--|
| Capacity       | Number of Bays         | 4  |
| Power          | Charging Current       | 1 A  |
|                | Charging Voltage       | 12.6 V                                       |
|                | Input Voltage          | 19 V   |
| LED Indicators |                        | Green: Full<br>Amber: Charging<br>Red: Error |
| Mechanical     | Dimensions (W x D x H) | 144.2 x 155.4 x 39 mm (5.7 x 6.1 x 1.5 in)   |
|                | Weight                 | 0.48 kg (1.05 lb)                            |
| Environment    | Operating Temperature  | 0 - 40 °C (32 -104 °F)                       |
|                | Storage Temperature    | -10 - 50 °C (14 - 122 °F)                    |
|                | Safety                 | UL, CB, LVD, CCC, RCM                        |
|                | Certifications         | CE, FCC, CCC, RCM, BSMI                      |

### Dimensions

Unit: mm



### Ordering Information

| Part Number   | Description                            |
|---------------|--|
| AIM-MBC0-0051 | Multi-battery charging station for AIM |

# AIM-68 Extensions and Accessories

## Extension Modules

Barcode Scanner (20°)



Barcode Scanner (70°)



LAN + COM Module



UHF RFID Reader



| Part Number | AIM-EXT0-0040                                     | AIM-EXT0-0041                                   | AIM-EXT0-0046                                 | AIM-EXT0-0047 (EU)/<br>AIM-EXT0-0049 (US)     |
|-------------|---|---|---|---|
| Color       | Black   | Black   | Black   | Black   |
| Dimensions  | 130.2 x 38.7 x 27.8 mm<br>(5.13 x 1.52 x 1.09 in) | 130.2 x 38.7 x 32 mm<br>(5.13 x 1.52 x 1.26 in) | 130.2 x 70 x 29 mm<br>(5.13 x 2.76 x 1.14 in) | 130.2 x 70 x 45 mm<br>(5.13 x 2.76 x 1.77 in) |
| Weight      | 0.042 kg (0.092 lb)                               | 0.042 kg (0.092 lb)                             | 0.078 kg (0.171 lb)                           | 0.08 kg (0.176 lb)                            |

## Accessories

Hand Strap



Shoulder Strap



Active Stylus



Battery with Meter



| Part Number | AIM-SRP0-0000                   | AIM-SRP0-0001                                 | AIM-P704                         | AIM-BATO-0452                                |
|-------------|---------------------------------|---|----------------------------------|--|
| Color       | Black                           | Black   | Black                            | Black  |
| Dimensions  | 240 x 20 mm<br>(9.44 x 0.78 in) | 380 x 135 x 20 mm<br>(14.96 x 5.31 x 0.78 in) | 140 x 9.7 mm<br>(5.51 x 0.38 in) | 120 x 87 x 7.5 mm<br>(4.72 x 3.43 x 0.30 in) |
| Weight      | 0.022 kg (0.048 lb)             | 0.05 kg (0.11 lb)                             | 0.02 kg (0.044 lb)               | 0.147 kg (0.324 lb)                          |