



EASY, INCREMENTED TILT ADJUSTMENT UP TO +20°

# BT893

## HEAVY DUTY PROJECTOR CEILING MOUNT WITH MICRO-ADJUSTMENT



Designed to mount projectors up to 70kg, the BT893 heavy duty projector mount can be fixed directly to the ceiling or can be mounted to any Ø50mm B-Tech pole. Easy adjustment of tilt, yaw and roll, with additional micro-adjustment at each corner makes alignment of projections quick and simple. The projector fixes to a mounting plate that can be extended to accommodate larger fixing patterns using the included extension legs, making the BT893 ideal for large scale and precision applications such as events and staging or for edge-blending and projection mapping.

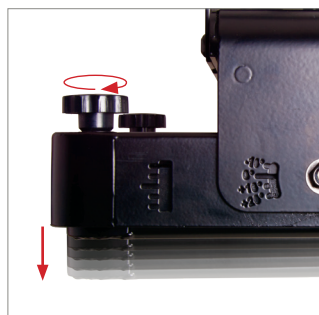
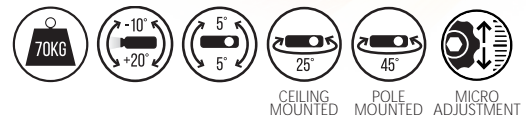
### SPECIFICATION

Max load	70kg
Tilt (pitch)	+20°/-10° (+/-5° with micro-adjustment)
Yaw (ceiling/ pole mounted)	25°/ 45°
Roll	+/-5°
Ceiling drop	153mm*
Max distance (between 2 fixings)	873.2mm
Max distance (square fixing pattern)	617.5mm
Colour	Black

\*Add 20mm to ceiling drop if extension legs are used

### FEATURES

- Designed to mount heavy duty projectors to the ceiling
- Features easy, incremented tilt adjustment
- Micro-adjustment thumbwheels at 4-points for controlled and precise adjustment of the projector
- Ideal for use with projection mapping projectors
- Quick and easy assembly
- Can be mounted to the ceiling directly or to any B-Tech Ø50mm pole
- Optional extension legs can be used to accommodate larger fixing patterns
- Suitable for projectors using M6, M8, M10 and M12 fixings
- All mounting hardware included



Micro-adjustment thumbwheels at 4-points for controlled and precise adjustment of the projector



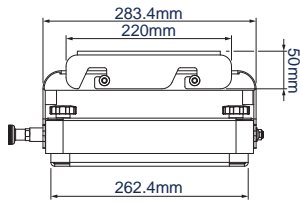
Can be mounted directly to the ceiling or from any B-Tech Ø50mm pole



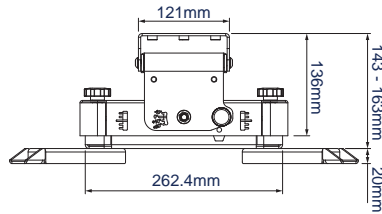
Features easy, incremented tilt adjustment



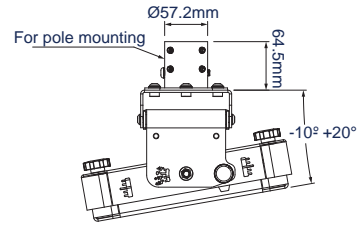
Optional extension legs can be used to accommodate larger fixing patterns



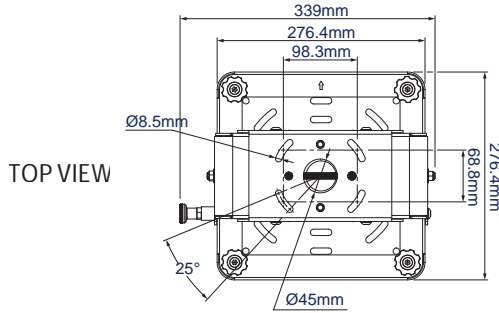
FRONT VIEW



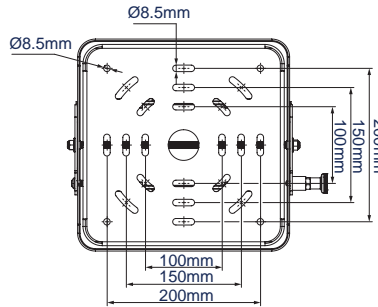
SIDE VIEW WITH INCLUDED SHORT EXTENSION LEGS



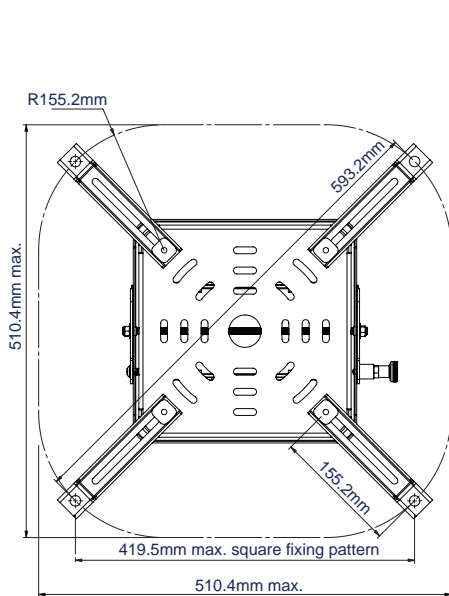
SIDE VIEW WITH INCLUDED POLE ADAPTOR



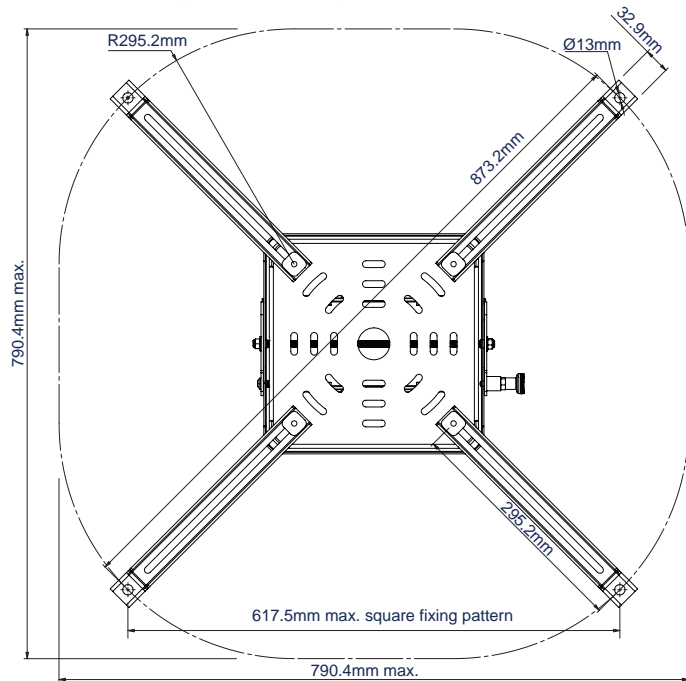
TOP VIEW



BOTTOM VIEW



BOTTOM VIEW WITH INCLUDED SHORT EXTENSION LEGS



BOTTOM VIEW WITH INCLUDED LONG EXTENSION LEGS

PACKING INFORMATION

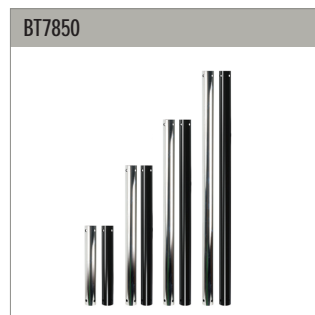
COLOUR:	ORDER REF:	EAN CODE:	MASTER CARTON QTY:	INNER CARTON QTY:	MASTER CARTON WEIGHT:	MASTER CARTON CUBE:
Black	BT893/B	5019318759819	1	0	11.5kg	0.025cbm

ORIGINAL DESIGNS BY B-TECH AV MOUNTS - REGISTERED DESIGNS & PATENTS APPLY

ACCESSORIES AND RELATED PRODUCTS



**BT7822**  
Heavy Duty Ceiling Mount can be used with B-Tech poles to create a fixed drop ceiling mount



**BT7850**  
050mm poles are available in a variety of lengths and can be used with BT7822 & BT893 to create a fixed drop ceiling mount



**BT893-FD**  
Fixed Drop Heavy Duty Projector Ceiling Mount for projectors up to 70kg



**BT893-AD**  
Adjustable Drop Heavy Duty Projector Ceiling Mount for projectors up to 70kg

© 2015 B-Tech Av Mounts Ltd. All rights reserved. This information is provided for informational purposes only. It is not intended to constitute an offer, solicitation or any other financial recommendation. B-Tech Av Mounts Ltd. is not responsible for any loss or damage caused by reliance on this information. For more information, please contact B-Tech Av Mounts Ltd. at 01203 200318.