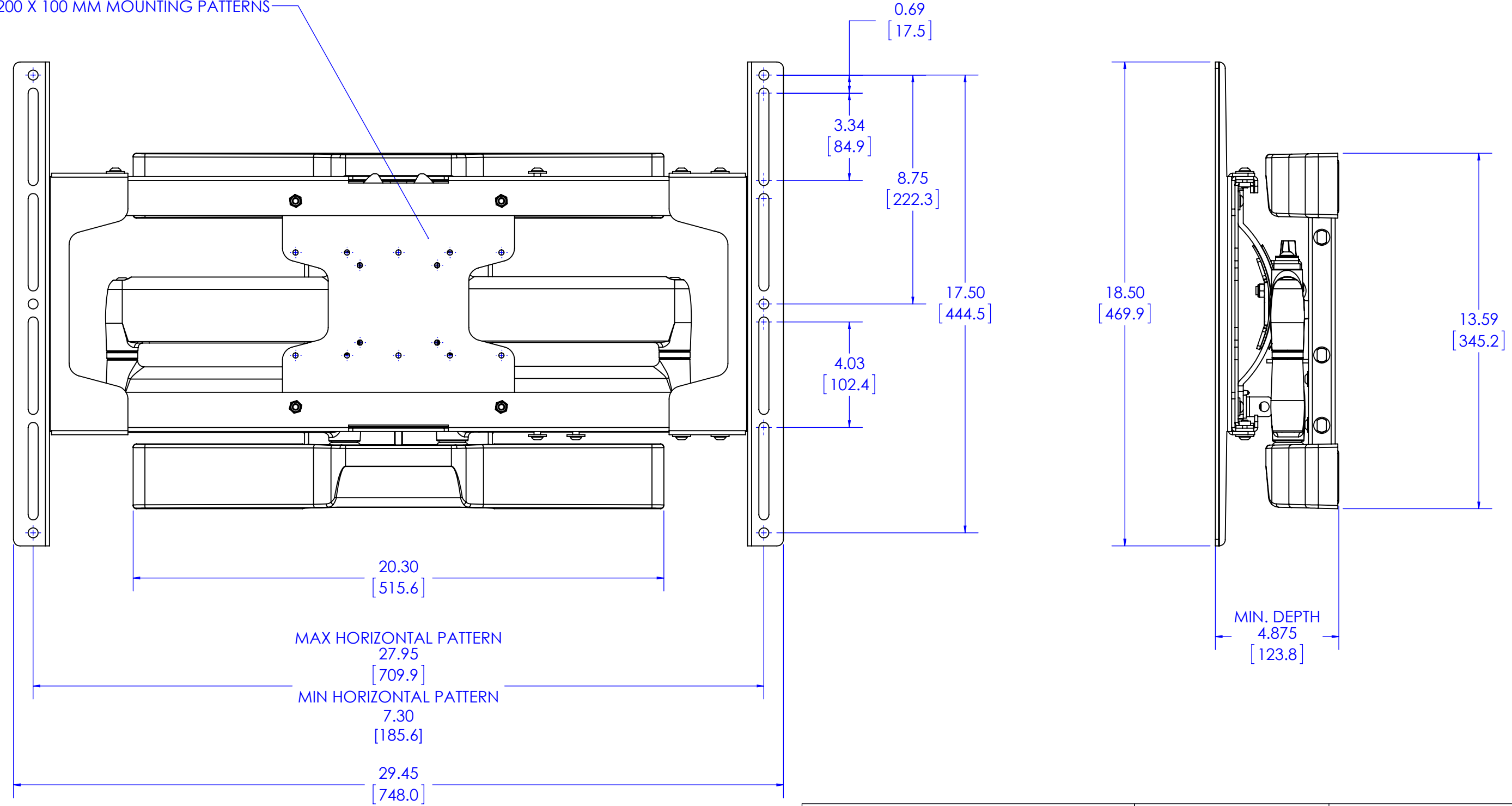
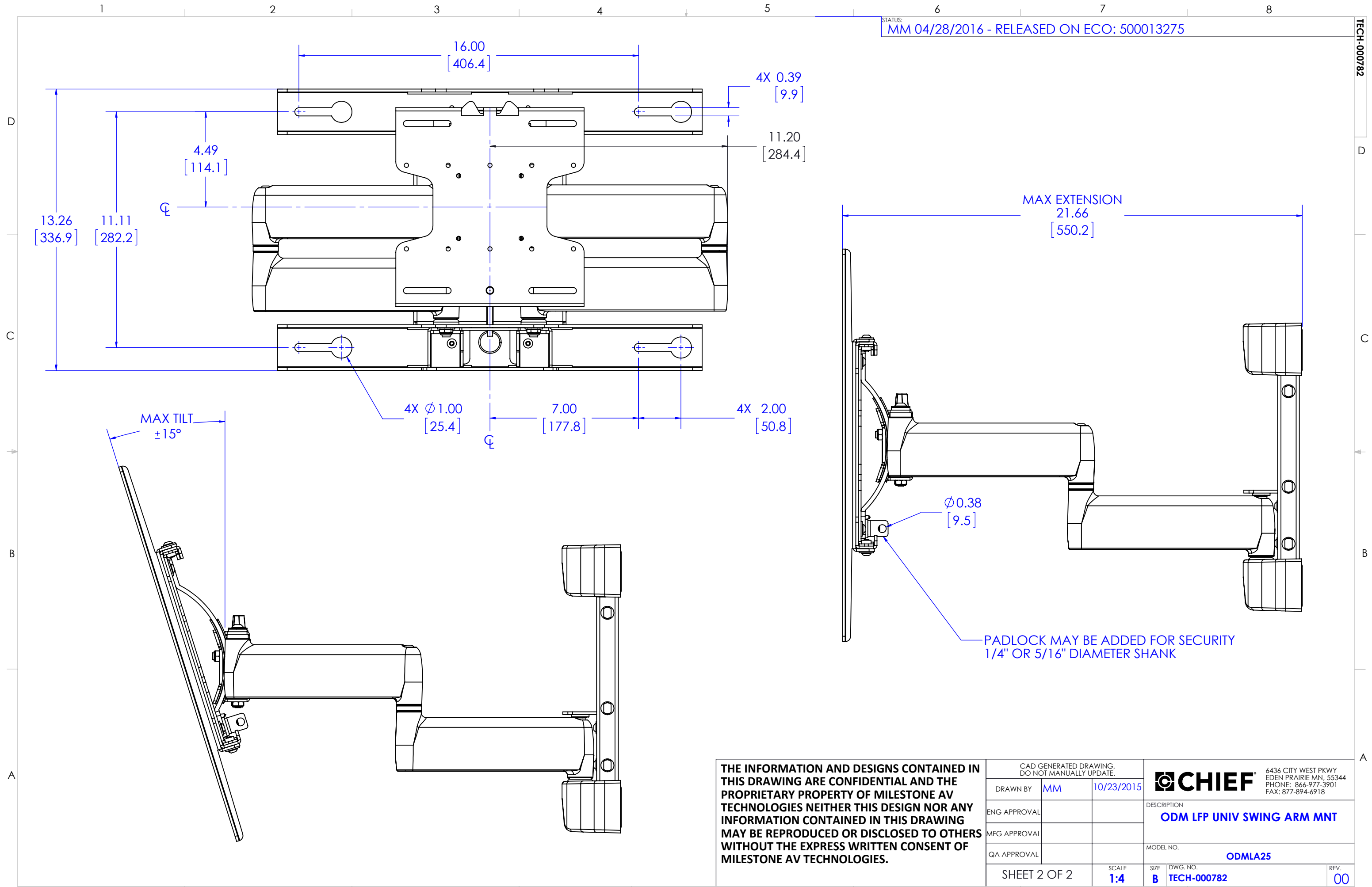


CENTER PLATE INCLUDES 75MM; 100MM & 200 X 100 MM MOUNTING PATTERNS



THE INFORMATION AND DESIGNS CONTAINED IN THIS DRAWING ARE CONFIDENTIAL AND THE PROPRIETARY PROPERTY OF MILESTONE AV TECHNOLOGIES NEITHER THIS DESIGN NOR ANY INFORMATION CONTAINED IN THIS DRAWING MAY BE REPRODUCED OR DISCLOSED TO OTHERS WITHOUT THE EXPRESS WRITTEN CONSENT OF MILESTONE AV TECHNOLOGIES.

CAD GENERATED DRAWING, DO NOT MANUALLY UPDATE.				6436 CITY WEST PKWY EDEN PRAIRIE MN, 55344 PHONE: 866-977-3901 FAX: 877-894-6918	
DRAWN BY	MM	10/23/2015	DESCRIPTION		
ENG APPROVAL			ODM LFP UNIV SWING ARM MNT		
MFG APPROVAL			MODEL NO.		
QA APPROVAL			ODMLA25		
SHEET 1 OF 2		SCALE	SIZE	DWG. NO.	REV.
		1:4	B	TECH-000782	00



THE INFORMATION AND DESIGNS CONTAINED IN THIS DRAWING ARE CONFIDENTIAL AND THE PROPRIETARY PROPERTY OF MILESTONE AV TECHNOLOGIES NEITHER THIS DESIGN NOR ANY INFORMATION CONTAINED IN THIS DRAWING MAY BE REPRODUCED OR DISCLOSED TO OTHERS WITHOUT THE EXPRESS WRITTEN CONSENT OF MILESTONE AV TECHNOLOGIES.

CAD GENERATED DRAWING, DO NOT MANUALLY UPDATE.		<p>6436 CITY WEST PKWY EDEN PRAIRIE MN, 55344 PHONE: 866-977-3901 FAX: 877-894-6918</p>
DRAWN BY	MM 10/23/2015	
ENG APPROVAL		DESCRIPTION <b>ODM LFP UNIV SWING ARM MNT</b>
MFG APPROVAL		MODEL NO. <b>ODMLA25</b>
QA APPROVAL		SIZE DWG. NO. REV. <b>B TECH-000782 00</b>
SHEET 2 OF 2		SCALE <b>1:4</b>