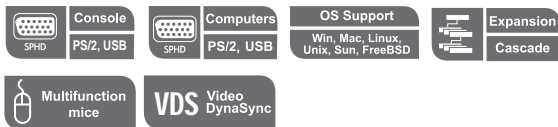


8/16-Port PS/2 – USB VGA KVM Switch

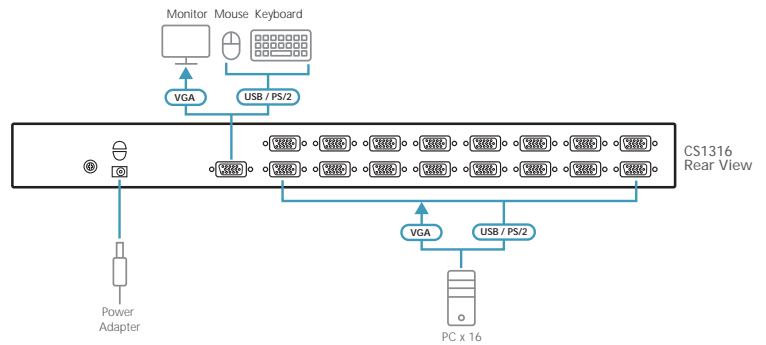
CS1308 / CS1316

The CS1308 / CS1316 KVM switch allows access and control up to 64 or 256 computers from a single console (keyboard, mouse, and monitor). As many as 16 additional switches can be cascaded bringing the total number of connected computers to 64 or 256 computers that can be controlled from a single KVM console. The switch supports both USB and PS/2 connections for the console and computers.



Features

- One USB-PS/2 console controls 8 / 16 computers
- Cascade up to 2 levels – control up to 64 or 256 computers
- Dual Interface – supports computers with PS/2 or USB keyboards and mice
- Multiplatform support – Windows, Linux, Mac, and Sun
- Video DynaSync™ - exclusive ATEN technology eliminates boot-up display problems and optimizes resolution when switching between ports
- Supports USB keyboards for PC, Mac and Sun
- Auto PS/2 and USB interface detection
- USB or PS/2 keyboard and mouse emulation – computers boot even when the console focus is elsewhere
- Superior video quality – up to 2048 x 1536; DDC2B
- Computer selection via front panel pushbuttons, hotkeys and multilingual on-screen display (OSD) menu
- Two-level password security – only authorized users view and control computers; up to 4 users and 1 administrator with a separate profile for each
- Auto Scan feature for monitoring user-selected computers
- Hot pluggable – add or remove computers without having to power down the switch
- Buzzer on / off via hotkey and OSD
- Firmware upgradeable
- No software installation required
- Designed for desktop or rack mount (19" system rack, 1U)



Specifications

	CS1308	CS1306
Computer Connections		
Direct	8	16
Maximum	64 (via Cascade)	256 (via Cascade)
Port Selection	OSD, Hotkey, Pushbutton	
Connectors		
Console Ports	1 x SPHD Male (Yellow)	1 x SPHD Male (Yellow)
KVM Ports	8 x SPHD Female (Yellow)	16 x SPHD Female (Yellow)
Firmware Upgrade	1 x RJ-11 Female (Black)	
Power	1 x DC Jack	
Switches		
Ports	8 x Pushbutton	16 x Pushbutton
Firmware Upgrade	1 x Slide	
LEDs		
Online	8 (Orange)	16 (Orange)
Selected	8 (Green)	16 (Green)
Power	1 (Dark Green)	1 (Dark Green)
Emulation		
Keyboard / Mouse	PS/2, USB	
Video		
	2048 x 1536 ; DDC2B	
Scan Interval		
	1 – 255 Seconds (Default: 5 secs)	
Power Consumption		
	DC 5.3 V : 2.34 W : 19 BTU	DC 5.3 V : 3.83 W : 26 BTU
Environmental		
Operating Temperature	0 – 50 °C	
Storage Temperature	-20 – 60 °C	
Humidity	0 – 80% RH, Non-condensing	
Physical Properties		
Housing	Metal	
Weight	1.89 kg	2.10 kg
Dimensions (L x W x H)	43.72 x 16.13 x 4.40 cm	43.72 x 16.13 x 4.40 cm

ATEN International Co., Ltd.

3F., No.125, Sec. 2, Datung Rd., Sijhih District., New Taipei City 221, Taiwan
 Phone: 886-2-8692-6789 Fax: 886-2-8692-6767
 www.aten.com E-mail: marketing@aten.com

Product information is subject to change without prior notice.

Released: 05/2022 V7.0

© Copyright 2022 ATEN® International Co. Ltd.
 ATEN and the ATEN logo are registered trademarks of ATEN International Co., Ltd.
 All rights reserved. All other trademarks are the property of their respective owners.

