

DATA SHEET

ARUBA OUTDOOR 4X4 MIMO ANTENNA

JW019A

AP-ANT-48 is a multi-polarized antenna with nominal 60° H x 60° V beamwidths. This antenna is well suited for 2.4 and 5 GHz sector coverage for access.

FREQUENCY/NOMINAL GAIN

- 4.9-6.0 GHz/8.5 dBi min
- 2.4-2.5 GHz/8.5 dBi min

DIMENSIONS

- 190 mm x 190 mm x 44 mm (Excluding wall mount flanges)

POLARIZATION

- +/- 45°
- +/- 135°

WEIGHT

- 700 g

BEAMWIDTH

- Horizontal plane: 70° @ 2.4 GHz
Vertical plane: 70° @ 2.4 GHz
- Horizontal plane: 56° @ 5.x GHz
Vertical plane: 56° @ 5.x GHz

HOUSING

- Housing: Aluminum
- Radome: Plastic

IMPEDANCE

- 50 ohms

CONNECTION

- 30 cm RPSMA terminated pigtails

MAXIMUM INPUT POWER

- 6 watts

OPERATING TEMPERATURE

- -45° C to +65° C

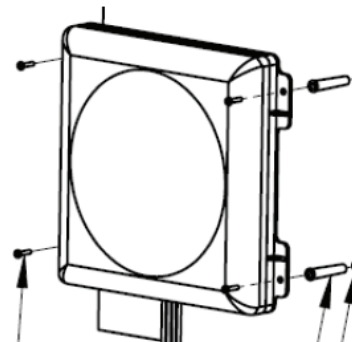


VSWR

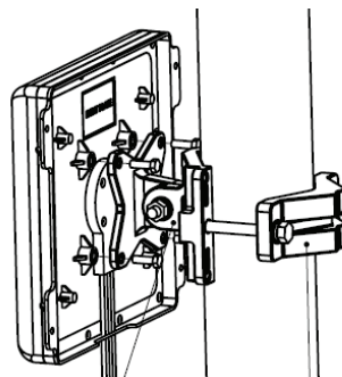
- 2:1 max

INSTALLATION HARDWARE

- Wall mount anchors provided
- Optional AP-ANT-MNT-4 bracket purchased separately



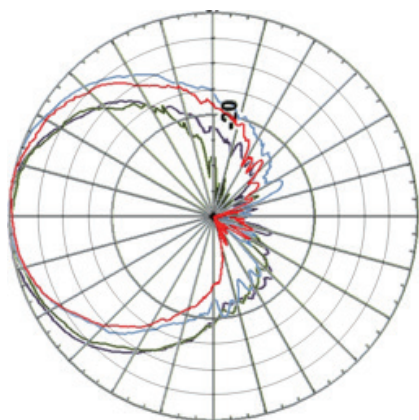
Wall mount



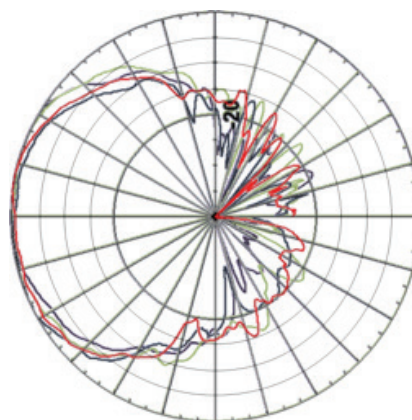
With Pole Mount Kit

ANTENNA PATTERN PLOTS

Vertical patterns

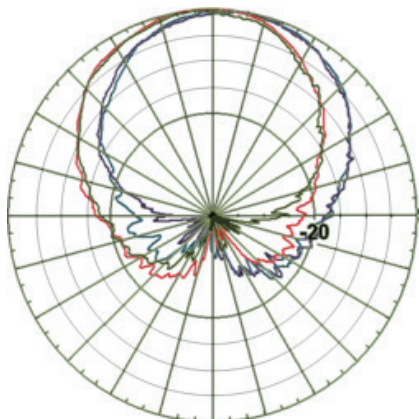


5.x GHz

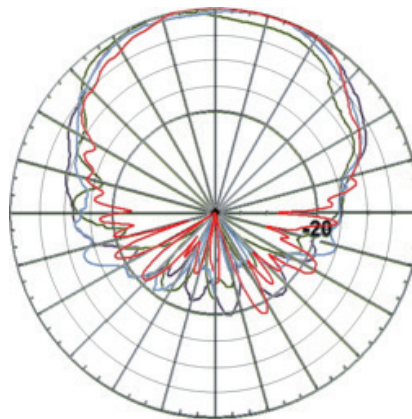


2.4 GHz

Horizontal patterns



5.x GHz



2.4 GHz

ORDERING INFORMATION

Part Number	Description
JW019A	AP-ANT-48 Dual Band 60x60deg 8dBi 4 Element MIMO 4xRPSMA Pigtail Antenna
JW021A	AP-ANT-MNT-4 AP-ANT-48 Azimuth and Elevation Adjustable Mount Kit