

2/4-Port HDMI Splitter

VS182A / VS184A

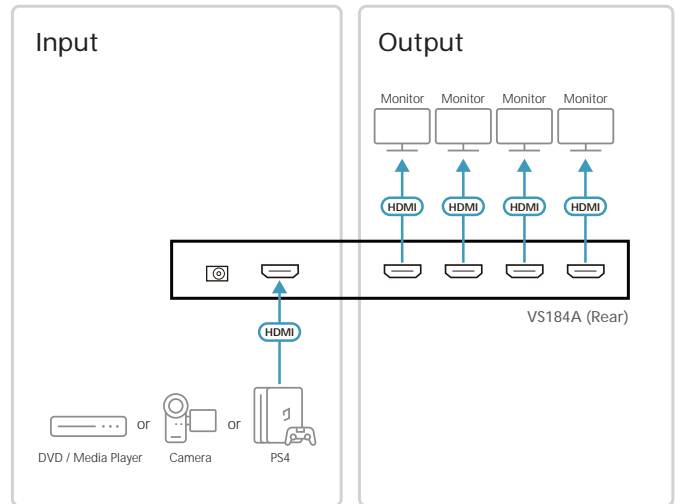
The VS182A / VS184A HDMI Splitter is the perfect solution for anyone who needs to send one source of digital high definition video to two (VS182A) or four (VS184A) displays at the same time. It supports all HDMI-enabled equipment, such as DVD players, satellite set-top boxes and all HDMI displays.

The VS182A / VS184A HDMI Splitter is HDCP (High Bandwidth Digital Content Protection) compliant, making it effective for use with all HDMI displays in home theater applications, as well as in corporate, educational and commercial settings.



Features

- Connects one HDMI source to two (VS182A) or four (VS184A) HDMI displays at the same time
- HDMI (3D, Deep Color, 4k x 2k); HDCP Compatible
- Supports resolutions of up to Ultra HD 4k x 2k
- Supports Dolby True HD and DTS HD Master Audio
- Long distance transmission – up to 15 m (24 AWG)
- Supports max. data rate of 10.2 Gbps
- Plug-and-Play – no software installation required



Specifications

	VS182A	VS184A
Video Input		
Interface	1 x HDMI Type-A Female (Black)	
Impedance	100 Ω	
Max. Distance	1.8 m	
Video Output		
Interface	2 x HDMI Type-A Female (Black)	4 x HDMI Type-A Female (Black)
Impedance	100 Ω	
Max. Distance	Up to 15 m	
Video		
Max. Data Rate	10.2 Gbps (3.4 Gbps Per Lane)	
Max. Pixel Clock	340 MHz	
Compliance	HDMI (3D, Deep Color, 4k x 2k); HDCP Compatible	
Max. Resolution	Up to 4096 x 2160 / 3840 x 2160 @ 60 Hz (4 : 2 : 0); 4096 x 2160 / 3840 x 2160 @ 30 Hz (4 : 4 : 4)	
Audio		
Input	1 x HDMI Type-A Female (Black)	
Output	2 x HDMI Type-A Female (Black)	4 x HDMI Type-A Female (Black)
Power		
Connectors	1 x DC Jack	
Power Consumption	DC 5.3 V : 3.12 W	DC 5.3 V : 6.02 W
Environmental		
Operating Temperature	0 - 50 °C	
Storage Temperature	-20 - 60 °C	
Humidity	0 - 80% RH, Non-Condensing	
Physical Properties		
Housing	Metal	
Weight	0.31 kg	0.47 kg
Dimensions (L x W x H)	12.50 x 8.00 x 2.50 cm	20.00 x 8.00 x 2.50 cm

