



# BT7051

## 50MM (2") LARGE ACCESSORY COLLAR WITH COVERS

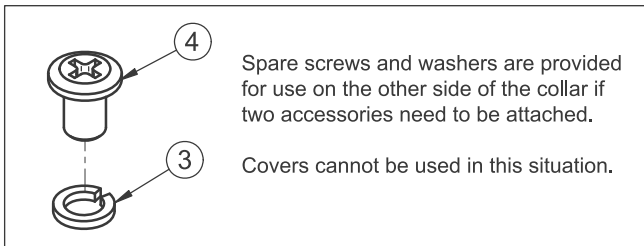
This Pack Contains 1 Collar with Covers

PLEASE KEEP THIS FOR FUTURE REFERENCE

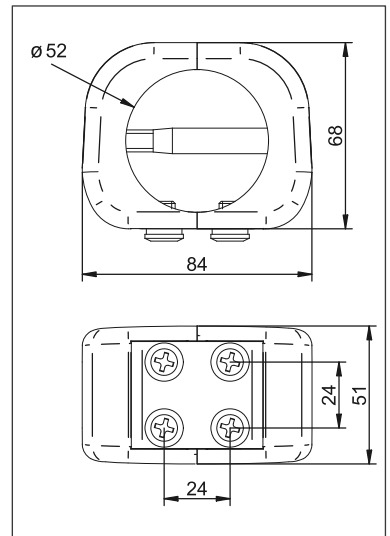
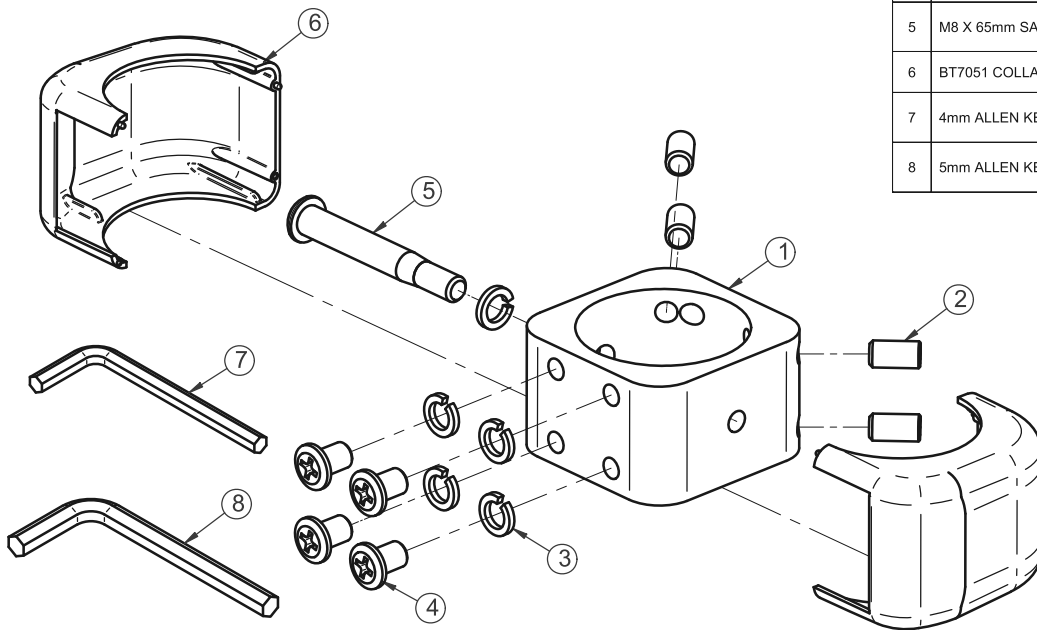


### FEATURES

- Heavy duty accessory collar for use with 50mm (2") poles
- Provides attachment for B-Tech modulus system mounts
- Double Attachment
- Aesthetic cover plates included to hide fasteners



No	PART NAME	DESCRIPTION	QTY
1	BT7051 COLLAR	TO FIT 50mm POLES	1
2	M8 X 15mm GRUB SCREWS	TO CLAMP COLLAR TO POLE	4
3	M8 SPRING WASHER	SITS UNDER SCREW HEADS	9
4	M8 X 12mm FLAT CROSS HEAD SCREW	TO ATTACH ACCESSORIES	8
5	M8 X 65mm SAFETY BOLT	PASSES THROUGH POLE	1
6	BT7051 COLLAR COVER HALF	PUSH FIT AROUND COLLAR	2
7	4mm ALLEN KEY	TO TIGHTEN (PART 2)	1
8	5mm ALLEN KEY	TO TIGHTEN (PART 5)	1



#### Attention!

Ensure safety bolt (Part 5) is in place before any AV equipment is fitted

### B-TECH AV MOUNTS

#### HEAD OFFICE

**B-Tech International Limited**

Bennett House, Long March, Daventry, Northants., NN11 4NR, UK

Email: [info@btechavmounts.com](mailto:info@btechavmounts.com)

©2018 B-Tech International Design and Manufacturing Limited. All rights reserved. B-Tech AV Mounts is a division of B-Tech International Design & Manufacturing Ltd. B-Tech, Better By Design and System 2 are registered trademarks of B-Tech International Design & Manufacturing Ltd. All other brands and product names are trademarks of their respective owners. Photographs are for illustrative purposes only EO&E. B-Tech International Design & Manufacturing Ltd, it's distributors and dealers are not responsible for damage or injury caused by improper installation, improper use, modifications, installations over the specified weight capacity and/or failure to observe these safety instructions. In such cases, any warranty will expire. It is recommended that this product should only be installed by a qualified professional / installer. For indoor use only. B-Tech does not claim any liability for any difficulties that may arise from the interpretation contained in these instructions. Failure to mount this product correctly may lead to serious injury and/or death. Please check carefully to make sure there are no missing or defective parts - defective parts must never be used. In the event of missing and/or defective parts, or technical questions, please contact an authorised dealer.

[www.btechavmounts.com](http://www.btechavmounts.com)

AMA-BT7051-V2.1-PROBX-0918-03 MADE IN P.R.C.