

Gigabit Ethernet to Multi Mode LC/SC Fiber Media Converter - 550m

ET91000LC2 / ET91000SC2

- DE: Bedienungsanleitung - de.startech.com
- FR: Guide de l'utilisateur - fr.startech.com
- ES: Guía del usuario - es.startech.com
- IT: Guida per l'uso - it.startech.com
- NL: Gebruiksaanwijzing - nl.startech.com
- PT: Guia do usuário - pt.startech.com

Packaging Contents

- 1 x Fiber Media Converter
- 1 x Universal Power Adapter
- 4 x Power Adapter Plugs (NA/UK/EU/AU)
- 1 x Grounding Screw
- 1 x Instruction Manual

System Requirements

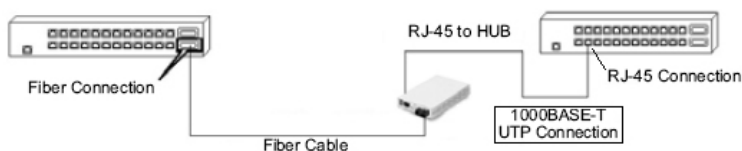
- 1000BASE-T compatible Ethernet network equipment
- RJ45 terminated UTP Cat5e or better Ethernet cable
- 1000BASE-SX compatible fiber optic network equipment
- LC or SC terminated multi mode fiber optic cable
- Available AC electrical outlet

Installation

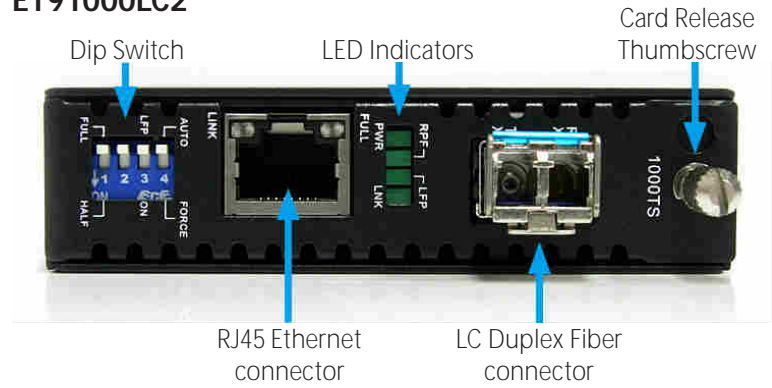
1. Make sure the DIP switches are set appropriately for your network configuration (see "DIP Switch Settings" section for details).
2. Connect the fiber optic network cable from a computer/switch/media converter to the LC/SC connector on the media converter.

NOTE: When connecting the fiber cable, make sure to connect the Tx (transmit) terminal on one end, with the Rx (receive) terminal on the other end.

3. Connect a UTP Ethernet cable, from a computer/switch to the RJ45 jack on the media converter.
4. Connect the power adapter to the media converter.
5. The following example illustrates the connection scheme when connecting from a 1000BASE-T Ethernet port of a hub/switch to a 1000BASE-SX port of another hub/switch, through the fiber media converter:

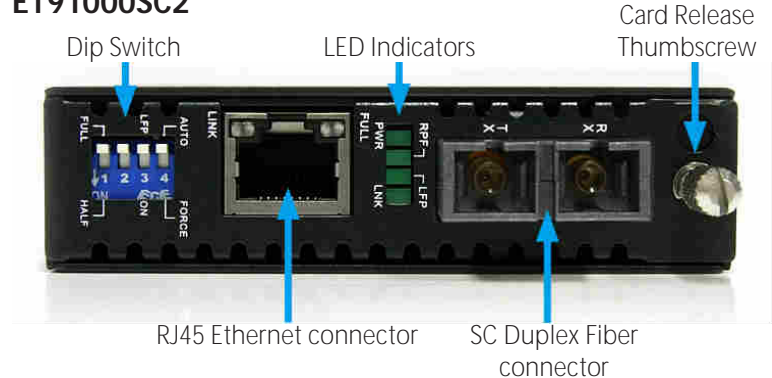


ET91000LC2



*actual product may vary from photos

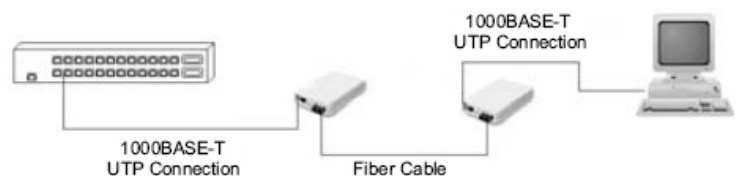
ET91000SC2



Rear View (ET91000LC2 / ET91000SC2)



6. The following example illustrates the connection scheme when connecting from a 1000BASE-T Ethernet port on a hub/switch to a 1000BASE-T Ethernet Network Interface Card (NIC) in a computer through the fiber media converter:



DIP Switch Settings

Full/ Half:

Ethernet Duplex mode will be configured for Full or Half.

LFP:

Link Fault Pass-through will pass a link failure to the Ethernet side, if a link failure is encountered on the fiber side and vice versa. Otherwise, the Ethernet side will continue to show no link failures, even if the fiber side has no link.

(OFF = Not active, On = Active)

Auto/Force:

Auto negotiate duplex mode, or force Full/Half via DIP switches.

LED Status

LED	Name	Status	Description
PWR	Power	ON	Unit is powered
		OFF	Unit is not powered
RPF	Remote Power Failure	ON	Remote Power Fail
		OFF	Remote Power Normal
LNK	Fiber Link	ON	Fiber link is detected
		OFF	Fiber link is not detected
		Blink	Fiber activity
LFP	Link Fault Pass-through	ON	LFP Mode enabled
		OFF	LFP Mode disabled

FCC Compliance Statement

This equipment has been tested and found to comply with the limits for a Class B digital device, pursuant to part 15 of the FCC Rules. These limits are designed to provide reasonable protection against harmful interference in a residential installation. This equipment generates, uses and can radiate radio frequency energy and, if not installed and used in accordance with the instructions, may cause harmful interference to radio communications. However, there is no guarantee that interference will not occur in a particular installation. If this equipment does cause harmful interference to radio or television reception, which can be determined by turning the equipment off and on, the user is encouraged to try to correct the interference by one or more of the following measures:

- Reorient or relocate the receiving antenna.
- Increase the separation between the equipment and receiver.
- Connect the equipment into an outlet on a circuit different from that to which the receiver is connected.
- Consult the dealer or an experienced radio/TV technician for help.

Use of Trademarks, Registered Trademarks, and other Protected Names and Symbols

This manual may make reference to trademarks, registered trademarks, and other protected names and/or symbols of third-party companies not related in any way to StarTech.com. Where they occur these references are for illustrative purposes only and do not represent an endorsement of a product or service by StarTech.com, or an endorsement of the product(s) to which this manual applies by the third-party company in question. Regardless of any direct acknowledgement elsewhere in the body of this document, StarTech.com hereby acknowledges that all trademarks, registered trademarks, service marks, and other protected names and/or symbols contained in this manual and related documents are the property of their respective holders.

Technical Support

StarTech.com's lifetime technical support is an integral part of our commitment to provide industry-leading solutions. If you ever need help with your product, visit www.startech.com/support and access our comprehensive selection of online tools, documentation, and downloads.

For the latest drivers/software, please visit www.startech.com/downloads

Warranty Information

This product is backed by a two year warranty.

In addition, StarTech.com warrants its products against defects in materials and workmanship for the periods noted, following the initial date of purchase. During this period, the products may be returned for repair, or replacement with equivalent products at our discretion. The warranty covers parts and labor costs only. StarTech.com does not warrant its products from defects or damages arising from misuse, abuse, alteration, or normal wear and tear.

Limitation of Liability

In no event shall the liability of StarTech.com Ltd. and StarTech.com USA LLP (or their officers, directors, employees or agents) for any damages (whether direct or indirect, special, punitive, incidental, consequential, or otherwise), loss of profits, loss of business, or any pecuniary loss, arising out of or related to the use of the product exceed the actual price paid for the product. Some states do not allow the exclusion or limitation of incidental or consequential damages. If such laws apply, the limitations or exclusions contained in this statement may not apply to you.