



# UC232A / UC232A1

## USB to RS-232 Adapter

### Quick Start Guide

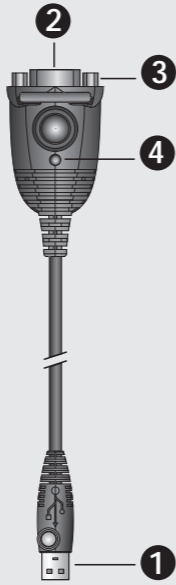
© Copyright 2018 ATEN® International Co., Ltd.  
ATEN and the ATEN logo are trademarks of ATEN International Co., Ltd. All rights reserved. All other trademarks are the property of their respective owners.

This product is RoHS compliant.

Part No. PAPE-1223-L50G Printing Date: 03/2018



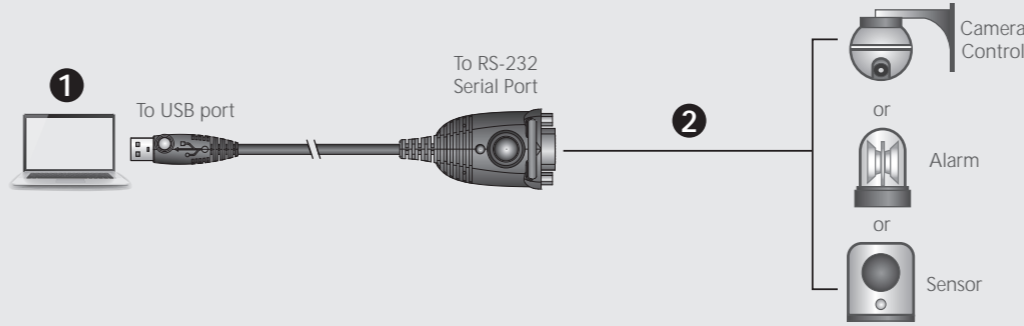
## A Hardware Review



## Package Contents

- 1 UC232A / UC232A1 USB to RS-232 Adapter
- 1 User Instructions

## B Hardware Installation



## Support and Documentation Notice

All information, documentation, firmware, software utilities, and specifications contained in this package are subject to change without prior notification by the manufacturer.

To reduce the environmental impact of our products, ATEN documentation and software can be found online at <http://www.aten.com/download/>

**Technical Support**  
[www.aten.com/support](http://www.aten.com/support)

Scan for more information



## EMC Information

FEDERAL COMMUNICATIONS COMMISSION INTERFERENCE

### STATEMENT:

This equipment has been tested and found to comply with the limits for a Class B digital service, pursuant to Part 15 of the FCC rules. These limits are designed to provide reasonable protection against harmful interference in a residential installation. Any changes or modifications made to this equipment may void the user's authority to operate this equipment. This equipment generates, uses, and can radiate radio frequency energy. If not installed and used in accordance with the instructions, may cause harmful interference to radio communications. However, there is no guarantee that interference will not occur in a particular installation. If this equipment does cause harmful interference to radio or television reception, which can be determined by turning the equipment off and on, the user is encouraged to try to correct the interference by one or more of the following measures:

- Reorient or relocate the receiving antenna.
- Increase the separation between the equipment and receiver.
- Connect the equipment into an outlet on a circuit different from that to which the receiver is connected.
- Consult the dealer/an experienced radio/television technician for help.

**FCC Caution:** Any changes or modifications not expressly approved by the party responsible for compliance could void the user's authority to operate this equipment.

This device complies with Part 15 of the FCC Rules. Operation is subject to the following two conditions: (1) this device may not cause harmful interference, and (2) this device must accept any interference received, including interference that may cause undesired operation.

이 기기는 가정용(Б급) 전자파적합기기로서 주로 가정에서 사용하는 것을 목적으로 하며, 모든 지역에서 사용할 수 있습니다.

## UC232A / UC232A1 USB to RS-232 Adapter

[www.aten.com](http://www.aten.com)

### A Hardware Review

#### Front View

- 1 USB Connector
- 2 Serial Connector
- 3 Connector Nut
- 4 Power LED

- 1 Connect the USB plug to the computer and allow the drivers to install.\*
- 2 Plug the RS-232 connector to a serial device.
- 3 Power on the serial devices.

\*If you are using an older computer that doesn't contain the drivers for this device, please go to our website to download the UC232A / UC232A1 drivers and install them before setting up the hardware.

### B Hardware Installation

To install the UC232A / UC232A1, do the following:

## Adaptateur USB vers RS-232 UC232A / UC232A1

[www.aten.com](http://www.aten.com)

### A Aperçu du matériel

#### Vue de devant

- 1 Connecteur USB
- 2 Connecteur série
- 3 Écrou du connecteur
- 4 LED d'alimentation

- 1 Connectez la prise USB à l'ordinateur et laissez les pilotes s'installer.\*
- 2 Branchez le connecteur RS-232 à un appareil série.
- 3 Mettez sous tension les appareils série.

\*Si vous utilisez un ordinateur plus ancien qui ne contient pas les pilotes pour cet appareil, veuillez vous rendre sur notre site Web pour télécharger les pilotes UC232A / UC232A1 et les installer avant de configurer le matériel.

### B Installation du matériel

Pour installer l'UC232A / UC232A1, procédez comme suit :

## USB-zu-RS-232-Netzteil UC232A / UC232A1

[www.aten.com](http://www.aten.com)

### A Hardwareübersicht

#### Ansicht von vorne

- 1 USB-Anschluss
- 2 Serieller Anschluss
- 3 Anschlussmutter
- 4 Betriebsanzeige-LED

- 1 Verbinden Sie den USB-Stecker mit dem Computer und erlauben Sie die Installation der Treiber.\*
- 2 Verbinden Sie den RS-232-Anschluss mit einem seriellen Gerät.
- 3 Schalten Sie die seriellen Geräte ein.

\*Falls Sie einen älteren Computer benutzen, der keine Treiber für dieses Gerät enthält, rufen Sie bitte unsere Webseite auf, laden Sie die UC232A / UC232A1-Treiber herunter und installieren Sie diese, bevor Sie die Hardware einrichten.

### B Hardwareinstallation

Gehen Sie zur Installation des UC232A / UC232A1 wie folgt vor:

## Adaptador USB a RS-232 UC232A / UC232A1

[www.aten.com](http://www.aten.com)

### A Resumen de hardware

#### Vista frontal

- 1 Conector USB
- 2 Conector serie
- 3 Tuerca de conector
- 4 LED de alimentación

- 1 Conecte el enchufe USB al equipo y deje que se instalen los controladores.\*
- 2 Enchufe el conector RS-232 a un dispositivo serie.
- 3 Encienda los dispositivos serie.

\*Si utiliza un equipo antiguo que no contenga los controladores para este dispositivo, vaya a nuestro sitio web para descargar los controladores del adaptador UC232A / UC232A1 e instálelos antes de configurar el hardware.

### B Instalación del hardware

Para instalar el adaptador UC232A / UC232A1, realice el siguiente procedimiento:

## Adattatore USB-RS-232 UC232A / UC232A1

[www.aten.com](http://www.aten.com)

### A Descrizione hardware

#### Vista anteriore

- 1 Connettore USB
- 2 Connettore seriale
- 3 Dado connettore
- 4 LED Power (Alimentazione)

- 2 Collegare il connettore RS-232 ad un dispositivo seriale.
- 3 Accendere i dispositivi seriali.

\*Se si utilizza un computer meno recente che non contiene i driver per questo dispositivo, visitare il nostro sito web per scaricare i driver dell'UC232A / UC232A1 e installarli prima di configurare l'hardware.

### B Installazione dell'hardware

Per installare l'UC232A / UC232A1, agire come segue:

- 1 Collegare la spina USB al computer e consentire l'installazione dei driver.\*

## UC232A / UC232A1 Адаптер USB - RS-232

[www.aten.com](http://www.aten.com)

### A Обзор аппаратного обеспечения

#### Вид спереди

- 1 Разъем USB
- 2 Последовательный разъем
- 3 Гайка разъема
- 4 Индикатор питания

- 1 Подключите вилку USB к компьютеру и подождите, пока завершится установка драйверов.\*
- 2 Подключите устройство с последовательным интерфейсом к разъему RS-232.
- 3 Включите питание устройств с последовательным интерфейсом.

\* Если используется компьютер старой модели, на котором отсутствуют драйверы для данного устройства, зайдите на веб-сайт компании, загрузите драйверы UC232A / UC232A1 и установите их перед установкой аппаратного обеспечения.

### B Установка аппаратного обеспечения

Для установки UC232A / UC232A1 выполните следующие действия.

## Адаптер UC232A / UC232A1 USB в RS-232

[www.aten.com](http://www.aten.com)

### A Огляд апаратного забезпечення

#### Вигляд спереду

- 1 Сполучувач USB
- 2 Послідовний сполучувач
- 3 Гайка сполучувача
- 4 Світлодіод живлення

- 1 Підключіть штекер USB до комп'ютера і дозвольте інсталяцію драйверів.\*
- 2 Вставте сполучувач RS-232 до послідовного пристрою.
- 3 Увімкніть живлення послідовних пристроїв.

\* Якщо ви користуєтеся старим комп'ютером, що не має драйверів для цього пристрою, завантажте з нашого веб-сайту драйвери UC232A / UC232A1 і встановіть їх перед налаштуванням апаратних засобів.

### B Інсталяція апаратного забезпечення

Щоб інстальювати UC232A / UC232A1, виконайте наступне:

## Adaptador USB para RS-232 UC232A / UC232A1

[www.aten.com](http://www.aten.com)

### A Vista do hardware

#### Vista frontal

- 1 Conector USB
- 2 Conector de Série
- 3 Porca do conector
- 4 LED de energia

- 1 Ligue a ficha USB ao computador e permita a instalação dos controladores.\*
- 2 Ligue o conector RS-232 a um dispositivo de série.
- 3 Ligue os dispositivos de série.

\*Se utilizar um computador mais antigo que não contém os controladores para este dispositivo, acesse ao nosso website para transferir os controladores do UC232A / UC232A1 e instale-os antes de configurar o hardware.

### B Instalação do hardware

Para instalar o adaptador UC232A / UC232A1, faça o seguinte:

UC232A / UC232A1 USB den RS-232' ya Adaptör	www.aten.com
---	--------------

## A Donanım

### Ön taraf

- USB Konektör
- Seri konektör
- Nut konektör
- Güç LED

## B Donanım Kurulumu

UC232A / UC232A1 Kurmak için aşağıdaki maddeleri takip edin:

- USB yi bilgisayarınıza bağlayın ve sürücülerin kurulmasına izin verin\*

UC232A / UC232A1 USB - RS-232 Adapter	www.aten.com
---------------------------------------	--------------

## A Hardver tulajdonságok

### Előlap

- USB csatlakozó
- Soros csatlakozó
- Csatlakozó Rögzítő
- Power LED

## B Telepítés

Az UC232A / UC232A1 használatához az alábbiakat kell tenni:

- Csatlakoztassa az USB csatlakozót a számítógéphez, és engedélyezze a driverek telepítését\*

UC232A / UC232A1 USB na RS-232 Adaptér	www.aten.com
--	--------------

## A Přehled hardwaru

### Čelní pohled

- konektor USB
- Sériový konektor
- Matice konektoru
- Indikátor napájení

## B Instalace hardwaru

Chcete-li nainstalovat UC232A / UC232A1, postupujte takto:

- Připojte konektor USB k počítači a nechte ovladače nainstalovat. \*

UC232A/UC232A1 Adapter USB do RS-232	www.aten.com
--------------------------------------	--------------

## A Przegląd sprzętu

Przedni widok

- Złącze USB
- Złącze szeregowo
- Nakrętka złącza
- zasilanie LED

## B Instalacja sprzętu

Aby zainstalować UC232A/UC23A1 wykonaj następujące czynności:

- Podłącz wtyczkę USB do komputera i zezwól na instalację sterowników

Adaptor USB la RS-232, UC232A / UC232A1	www.aten.com
---	--------------

### A Descriere hardware

### Vedere frontala

- Conector USB
- Conector serial
- Șurub conector
- LED alimentare

## B Instalare hardware

Ca să instalați UC232A / UC232A1 efectuați următoarele :

- Conectați conectorul USB la calculator și lăsați driverele să se instaleze\*.

- RS-232 konektörü Seri cihazınıza takınız
- Seri cihazınızı gücünü açın.

\*Eski tip bilgisayar kullanıyorsanız ve bu cihaz için sürücü içermiyorsa, web sayfamızdan UC232A/UC232A1 sürücüsünü indirdikten sonra kurabilirsiniz.

UC232A / UC232A1 USB –RS-232アダプター	www.aten.com
-----------------------------------	--------------

UC232A / UC232A1 USB to RS-232 어댑터	www.aten.com
------------------------------------	--------------

UC232A / UC232A1 USB - RS-232 Adapter	www.aten.com
---------------------------------------	--------------

### A Hardver tulajdonságok

### Előlap

- Csatlakoztassa az RS-232 csatlakozót a soros eszköze
- Kapcsolja be a soros eszközt

\* Ha régebbi számítógépet használ, ami nem ismeri fel a megfelelő drivert, abban az esetben menjen fel a honlapunkra, és töltsé le az UC232A / UC232A1 drivert és telepítse a csatlakoztatás előtt.

UC232A / UC232A1 USB na RS-232 Adaptér	www.aten.com
--	--------------

UC232A / UC232A1 USB to RS-232 어댑터	www.aten.com
------------------------------------	--------------

UC232A / UC232A1 USB –RS-232アダプター	www.aten.com
-----------------------------------	--------------

UC232A / UC232A1 USB to RS-232 어댑터	www.aten.com
------------------------------------	--------------

UC232A / UC232A1 USB转RS-232转接器	www.aten.com.cn
--------------------------------	-----------------

UC232A / UC232A1 USB 轉 RS-232 轉接器	www.aten.com
-----------------------------------	--------------

UC232A / UC232A1 USB Adapter RS-232	www.aten.com
-------------------------------------	--------------

UC232A / UC232A1 USB Adapter RS-232	www.aten.com
-------------------------------------	--------------

UC232A / UC232A1 USB Adapter RS-232	www.aten.com
-------------------------------------	--------------

UC232A / UC232A1 USB Adapter RS-232	www.aten.com
-------------------------------------	--------------

- Conectați conectorul RS-232 la dispozitivul serial.
- Alimentați dispozitivul serial.

\* Dacă utilizați calculator vechi care nu are drivere pentru acest dispozitiv, Vă rugăm faceți download la driverul UC232A / UC232A1 de pe site și instalați-l înainte de instalarea hardware.

UC232A / UC232A1 USB –RS-232アダプター	www.aten.com
-----------------------------------	--------------

UC232A / UC232A1 USB Adapter RS-232	www.aten.com
-------------------------------------	--------------

UC232A / UC232A1 USB Adapter RS-232	www.aten.com
-------------------------------------	--------------

UC232A / UC232A1 USB Adapter RS-232	www.aten.com
-------------------------------------	--------------

UC232A / UC232A1 USB Adapter RS-232	www.aten.com
-------------------------------------	--------------

UC232A / UC232A1 USB Adapter RS-232	www.aten.com
-------------------------------------	--------------

UC232A / UC232A1 USB Adapter RS-232	www.aten.com
-------------------------------------	--------------

UC232A / UC232A1 USB Adapter RS-232	www.aten.com
-------------------------------------	--------------

UC232A / UC232A1 USB Adapter RS-232	www.aten.com
-------------------------------------	--------------

UC232A / UC232A1 USB Adapter RS-232	www.aten.com
-------------------------------------	--------------

UC232A / UC232A1 USB Adapter RS-232	www.aten.com
-------------------------------------	--------------

UC232A / UC232A1 USB转RS-232转接器	www.aten.com.cn
--------------------------------	-----------------

UC232A / UC232A1 USB 轉 RS-232 轉接器	www.aten.com
-----------------------------------	--------------

UC232A / UC232A1 USB Adapter RS-232	www.aten.com
-------------------------------------	--------------

UC232A / UC232A1 USB Adapter RS-232	www.aten.com
-------------------------------------	--------------

UC232A / UC232A1 USB Adapter RS-232	www.aten.com
-------------------------------------	--------------

UC232A / UC232A1 USB Adapter RS-232	www.aten.com
-------------------------------------	--------------

UC232A / UC232A1 USB Adapter RS-232	www.aten.com
-------------------------------------	--------------

UC232A / UC232A1 USB Adapter RS-232	www.aten.com
-------------------------------------	--------------

UC232A / UC232A1 USB Adapter RS-232	www.aten.com
-------------------------------------	--------------

UC232A / UC232A1 USB Adapter RS-232	www.aten.com
-------------------------------------	--------------

UC232A / UC232A1 USB Adapter RS-232	www.aten.com
-------------------------------------	--------------

- RS-232コネクターをシリアルデバイスに接続してください。
- シリアルデバイスの電源を入れてください。

\* このデバイス用のドライバーがインストールされていない古いコンピューターを使用している場合は、ハードウェアのセットアップを行う前に、当社のWebサイトに進み、UC232A / UC232A1ドライバーをダウンロードし、インストールしてください。

UC232A / UC232A1 USB Adapter RS-232	www.aten.com
-------------------------------------	--------------

UC232A / UC232A1 USB Adapter RS-232	www.aten.com
-------------------------------------	--------------

UC232A / UC232A1 USB Adapter RS-232	www.aten.com
-------------------------------------	--------------

UC232A / UC232A1 USB Adapter RS-232	www.aten.com
-------------------------------------	--------------

UC232A / UC232A1 USB Adapter RS-232	www.aten.com
-------------------------------------	--------------

UC232A / UC232A1 USB Adapter RS-232	www.aten.com
-------------------------------------	--------------

UC232A / UC232A1 USB Adapter RS-232	www.aten.com
-------------------------------------	--------------

UC232A / UC232A1 USB Adapter RS-232	www.aten.com
-------------------------------------	--------------

UC232A / UC232A1 USB Adapter RS-232	www.aten.com
-------------------------------------	--------------

UC232A / UC232A1 USB Adapter RS-232	www.aten.com
-------------------------------------	--------------

UC232A / UC232A1 USB Adapter RS-232	www.aten.com
-------------------------------------	--------------

UC232A / UC232A1 USB Adapter RS-232	www.aten.com
-------------------------------------	--------------

UC232A / UC232A1 USB Adapter RS-232	www.aten.com
-------------------------------------	--------------

UC232A / UC232A1 USB Adapter RS-232	www.aten.com
-------------------------------------	--------------

UC232A / UC232A1 USB Adapter RS-232	www.aten.com
-------------------------------------	--------------

UC232A / UC232A1 USB Adapter RS-232	www.aten.com
-------------------------------------	--------------

UC232A / UC232A1 USB Adapter RS-232	www.aten.com
-------------------------------------	--------------

UC232A / UC232A1 USB Adapter RS-232	www.aten.com
-------------------------------------	--------------

UC232A / UC232A1 USB Adapter RS-232	www.aten.com
-------------------------------------	--------------