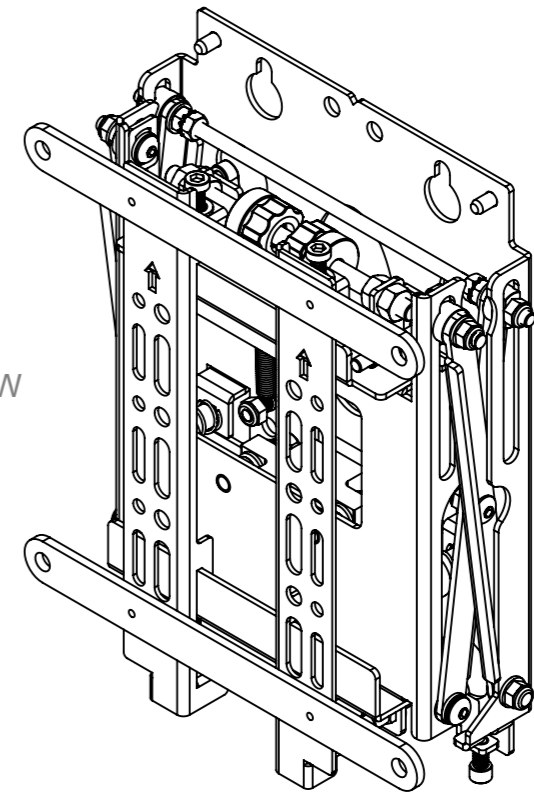
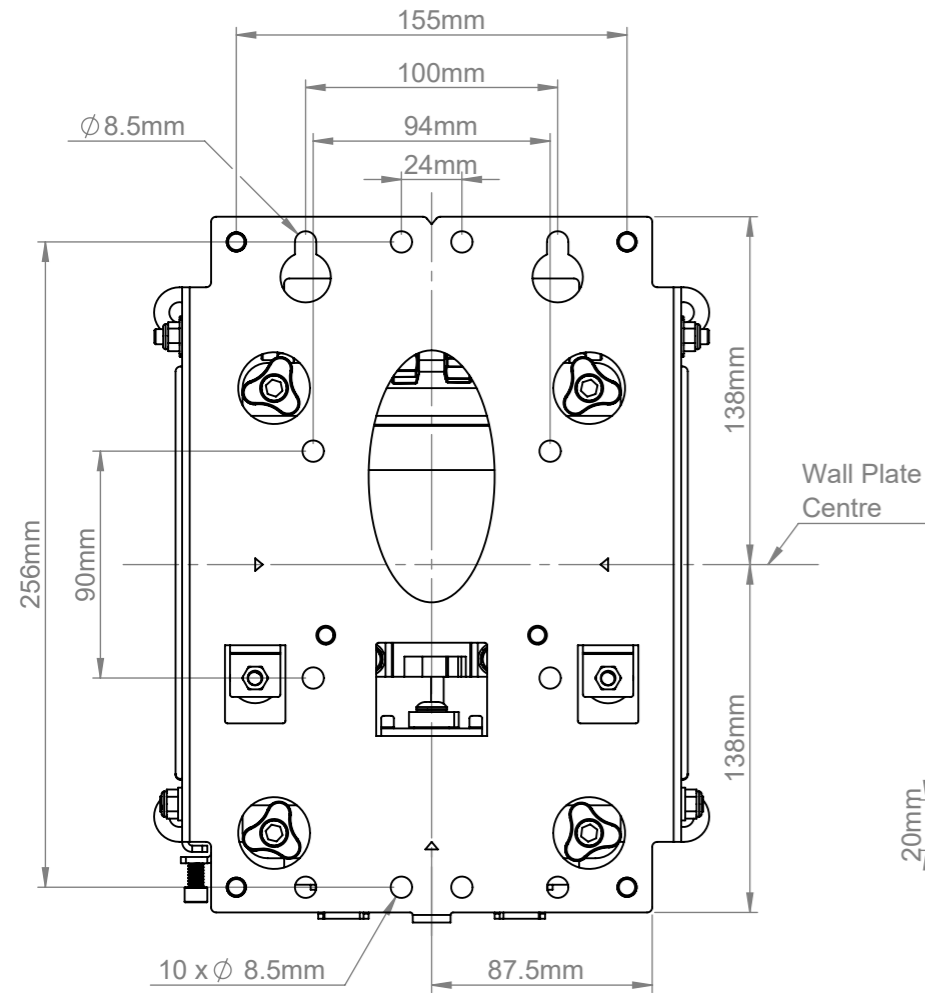


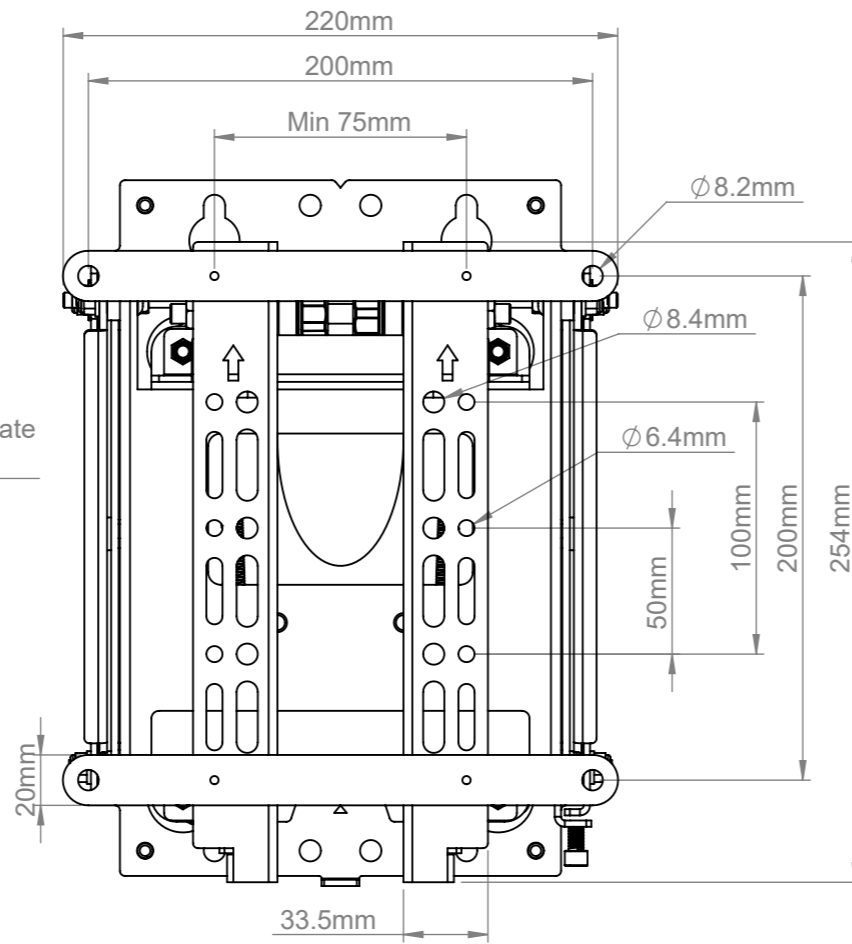
Top View



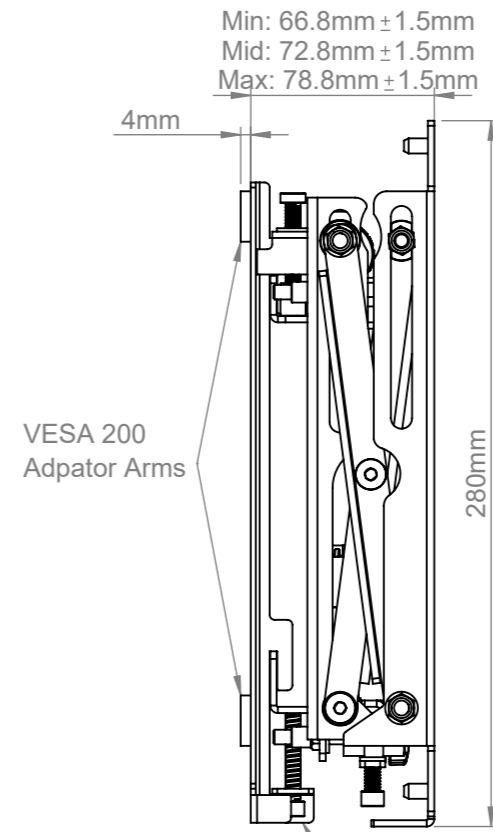
ISOMETRIC VIEW



Rear View

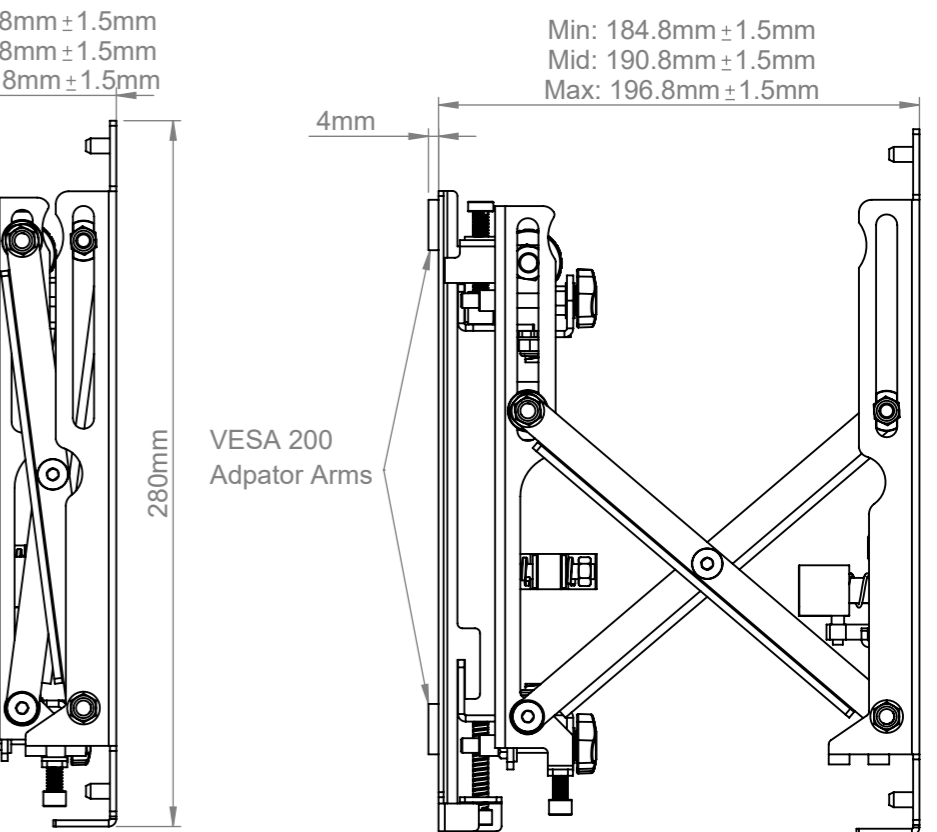


Front View



VESA 200 Adaptor Arms


Side View - Popped In



VESA 200 Adaptor Arms

Side View - Popped Out

Interface arms are set at the lowest point.
Height adjustment range: 12mm

B-Tech International Design & Manufacturing Limited Part of the B-Tech International Group of Companies		B-Tech No: BT8309	
		Title: Pop-out Flat Screen Wall Mount - With Micro Adjustment	
 UNLESS OTHERWISE SPECIFIED DIMENSIONS ARE IN MILLIMETERS	Size: A3	Revision: R01	
	Scale: 1:3	Date: 02/12/2021	
	Sheet: 1 of 1	File Name: BTD-BT8309	