



IDEAL FOR
 RECESS
 MOUNTING

BT8309

POP-OUT FLAT SCREEN WALL MOUNT WITH MICRO-ADJUSTMENT

The BT8309 is designed to install small to medium screens into recessed walls. The pop-out mechanism allows for a flush to the wall installation while still allowing access to the rear of the screen for easy installation and service access. Tool-less micro-adjustment is included on each corner to allow screens to perfectly align to the recess and additional screens in a videowall installation. BT8309 also allows screens to be mounted in landscape or portrait orientation and is compatible with B-Tech's professional pole and collar system for pole-mounted installs.

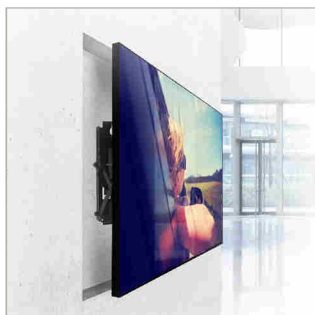
SPECIFICATION

Recommended screen size	up to 42"
Max load	25kg
VESA® compatibility	75 x 75 up to 200 x 200*
Flat to wall depth	73mm (+/-6mm micro-adjustment)
Popped out depth	191mm (+/-6mm micro-adjustment)
Screen height adjustment	+12mm
Colour	Black

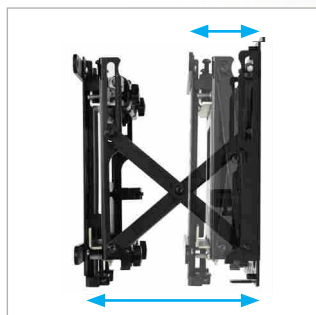
FEATURES

- Perfect solution for mounting screens into a recessed wall
- Can also be used to create videowall installations
- Push to open / push to close system provides quick and easy service access
- Micro-adjustment of +/-6mm at each corner for seamless display alignment
- Suitable for landscape or portrait screen mounting
- Suitable for both wall or pole mounting
- Keyhole mounting for quick and easy installation
- Levelling screws allow adjustment of screen height
- Integrated locking mechanism prevents accidental pop-out of mount
- Integrated cable management
- *Hook-on* installation with all mounting hardware included

*Using the included interface adaptor arms to mount VESA 200 x 200 screens will increase the total depth of the product by 4mm



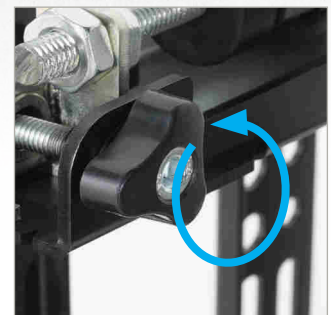
Perfect solution for mounting screens into a recessed wall.



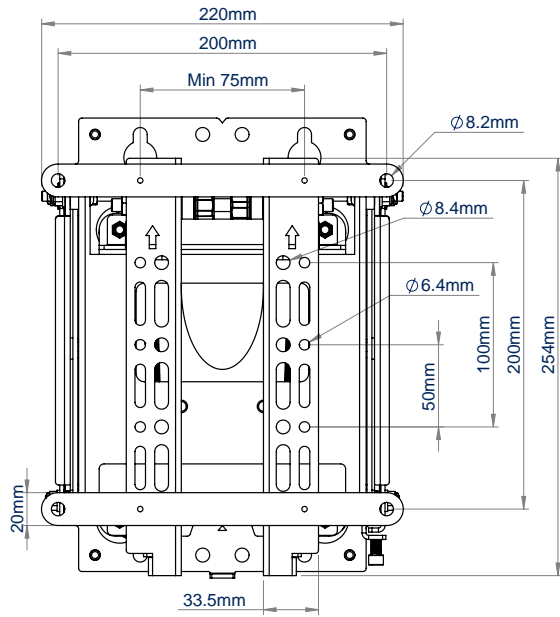
Push to open / push to close system provides quick and easy service access.



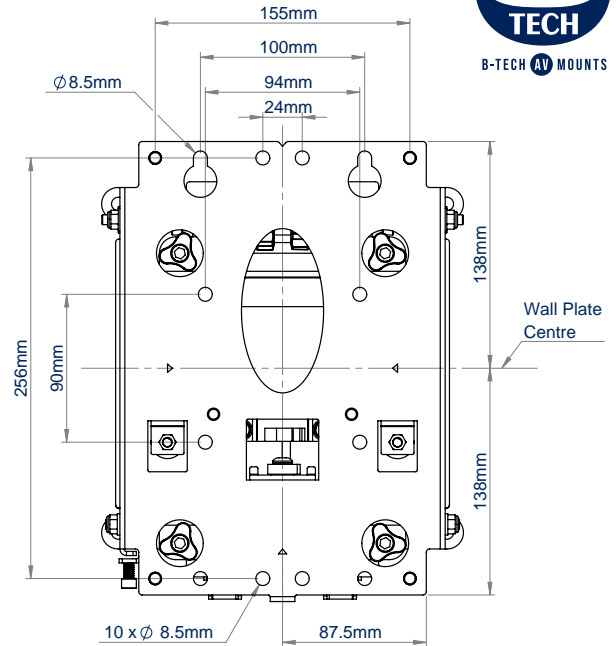
Compatible with B-Tech's professional pole and collar system for pole mounting.



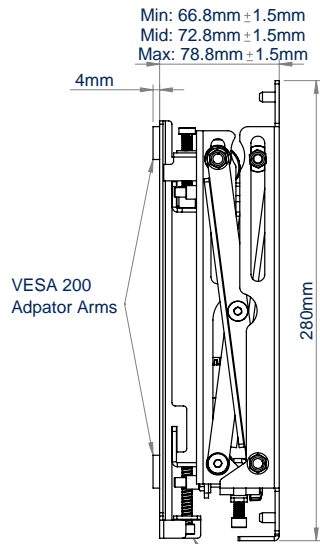
Tool-less micro-adjustment for seamless display alignment.



FRONT VIEW

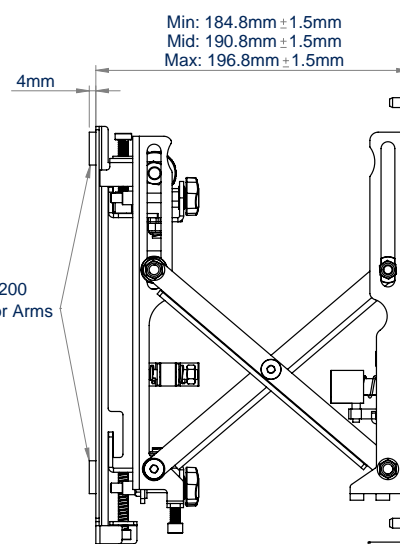


REAR VIEW



SIDE VIEW CLOSED

Min: 66.8mm ± 1.5mm
Mid: 72.8mm ± 1.5mm
Max: 78.8mm ± 1.5mm



SIDE VIEW EXTENDED

Min: 184.8mm ± 1.5mm
Mid: 190.8mm ± 1.5mm
Max: 196.8mm ± 1.5mm

Interface arms are set at the lowest point.
Height adjustment range: 12mm

PACKING INFORMATION

COLOUR:	ORDER REF:	EAN CODE:	MASTER CARTON QTY:	INNER CARTON QTY:	MASTER CARTON WEIGHT:	MASTER CARTON CUBE:
Black	BT8309/B	5019318440588	4	0	18kg	0.025cbm

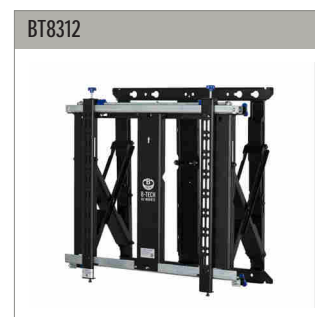
ACCESSORIES AND RELATED PRODUCTS TO BT8309



BT7850
50mm diameter poles available in different lengths up to 3m.



BT7841
50mm Accessory Collar for fixing mounts & accessories up to Ø50mm poles.



BT8312
Slimline Soft-Open Full Service Videowall Mount for screens with VESA fixings from 200 x 100 up to 600 x 400.



BT8310XL
Professional Pop-In, Pop-Out Video Wall Mount for XL video walls or recess mounting larger screens up to 120\"/>

© 2022 B-Tech Mounts Professional. All rights reserved. B-Tech Mounts Professional is a registered trademark of B-Tech Mounts Professional. All other trademarks are the property of their respective owners. B-Tech Mounts Professional is not responsible for any damage caused by misuse or modification of the product. B-Tech Mounts Professional is not responsible for any damage caused by misuse or modification of the product. B-Tech Mounts Professional is not responsible for any damage caused by misuse or modification of the product. B-Tech Mounts Professional is not responsible for any damage caused by misuse or modification of the product.