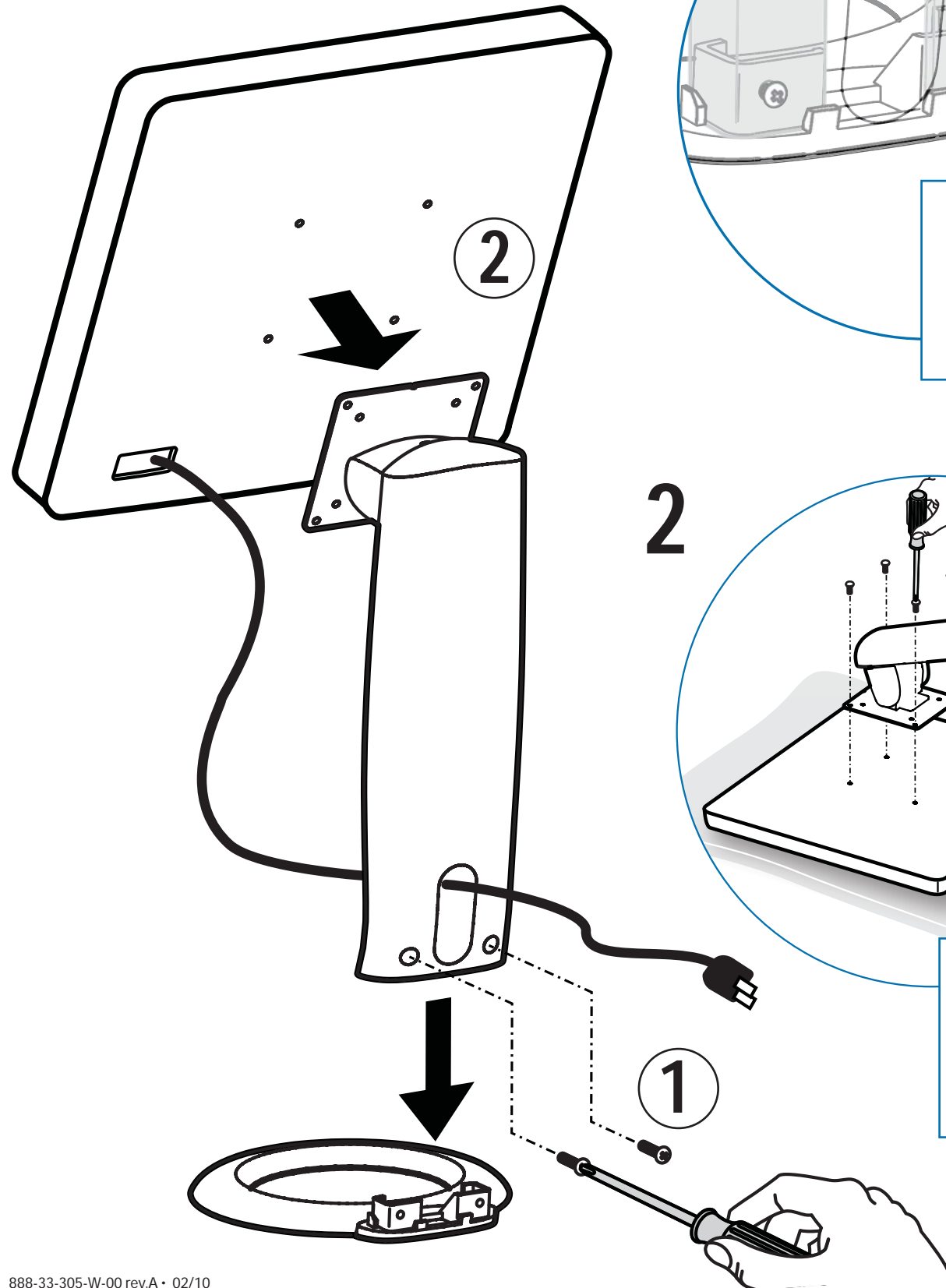
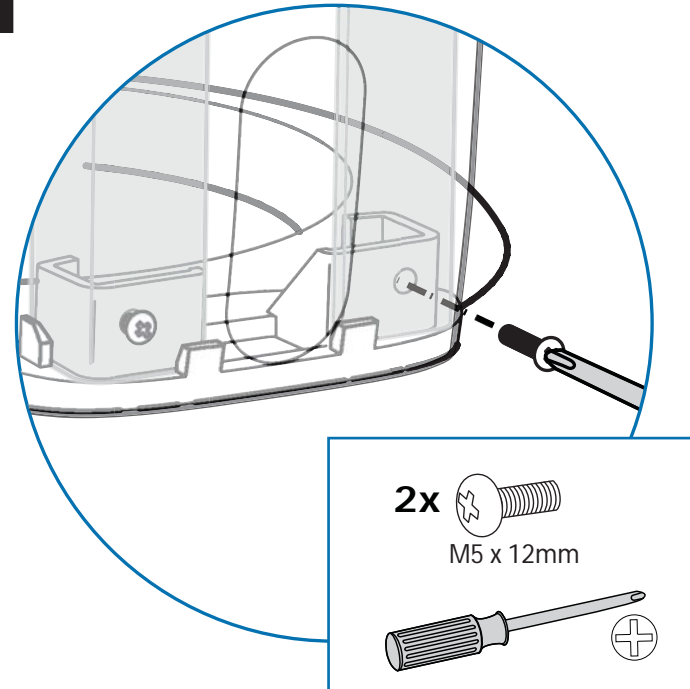


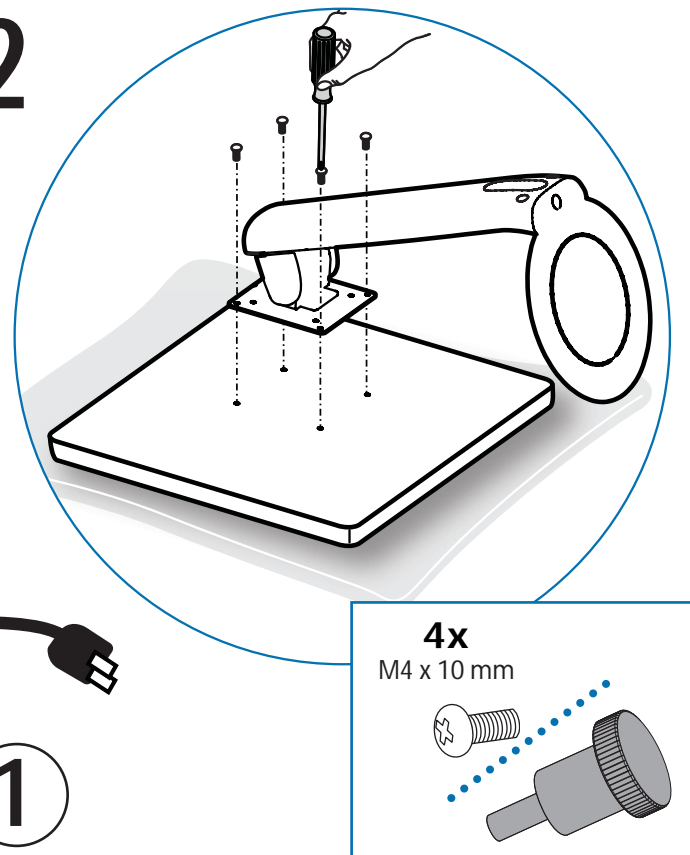
www.ergotron.com
 USA 1-800-888-8458
 Europe +31 (0)33-45 45 600
 China 86-769-86018920



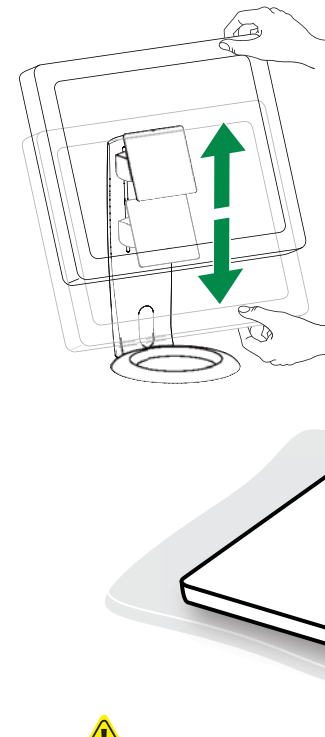
1



2



3



Adjustment
 Ajuste
 Réglage
 Einstellung
 Instellen
 Regolazione
 調整
 调节
 조절



Depending on your product and the adjustment, it may take several turns to notice a difference.

Dependiendo del producto y el ajuste, es posible que deba hacer varios intentos hasta poder observar la diferencia.

Selon le produit que vous utilisez et le réglage, il faut parfois effectuer plusieurs tours de vis avant de remarquer une différence.

Je nach Produkt und Einstellung muss dies mehrmals wiederholt werden, um einen Unterschied zu merken.

Al naargelang uw product en de gewenste aanpassing, kunnen een paar slagen nodig zijn om verschil te merken.

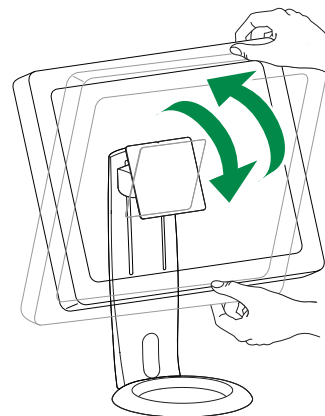
A seconda del prodotto e del tipo di regolazione, possono essere necessarie più corse prima di notare una differenza.

お使いの製品や調整によっては、違いがはっきりするまで何回か回さなければならないこともあります。

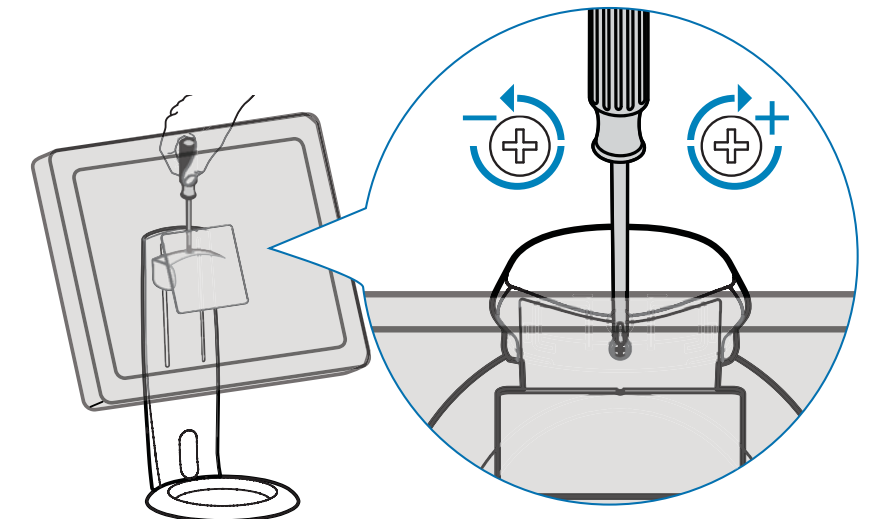
根据您所用产品及调节方式，可能需要旋转几圈后才能注意到差别。

제품과 조절 장치에 따라 여러 번 돌려야 차이가 느껴질 수 있습니다.

4



Adjustment
 Ajuste
 Réglage
 Einstellung
 Instellen
 Regolazione
 調整
 调节
 조절



Ergonomic Adjustment

Ajuste

Réglage

Einstellung

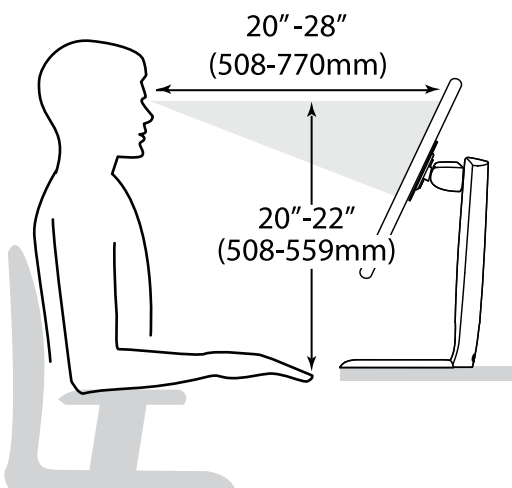
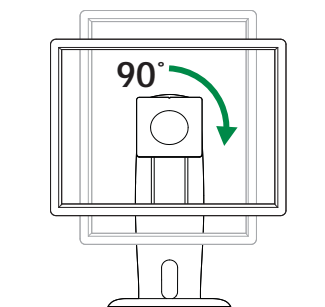
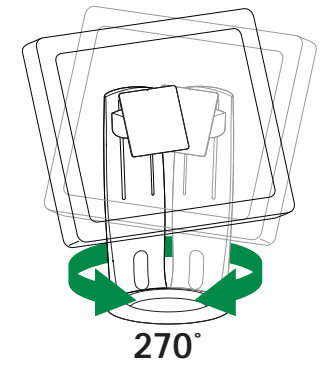
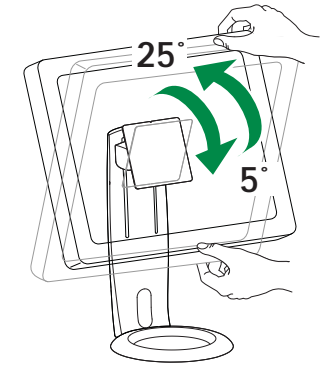
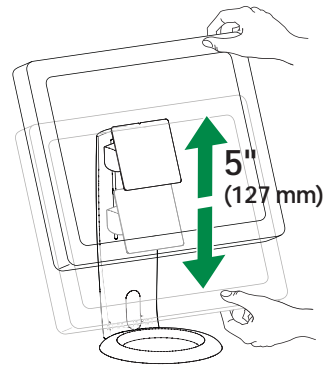
Instellen

Regolazione

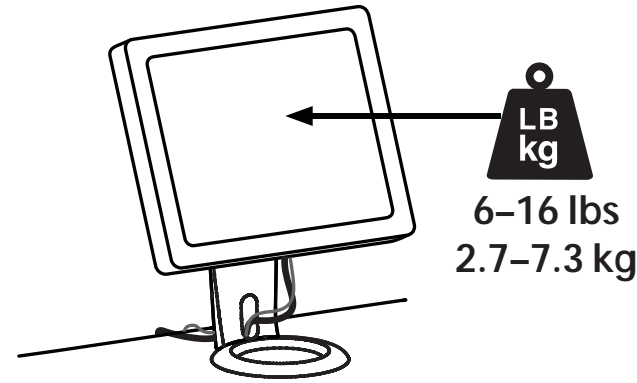
調整

调节

조절



It is important that you adjust this product according to the weight of the mounted equipment as described in the preceding steps. Any time equipment is added or removed from this product, resulting in a change in the weight of the mounted load, you should repeat these adjustment steps to ensure safe and optimum operation. Adjustments should move smoothly and easily through the full range of motion and stay where you set it. If adjustments are difficult and do not stay in the desired position, follow the instructions to loosen or tighten the tension to create a smooth, easy adjustment motion. Depending on your product and the adjustment, it may take several turns to notice a difference.



Es importante ajustar este producto conforme al peso del equipo montado, según se describe en los pasos. Cada vez que se agregue o quite equipo de este producto y cambie el peso de la carga montada, deberá repetir estos ajustes para garantizar un funcionamiento seguro y óptimo. Los movimientos de ajuste deben poder realizarse de manera suave y firme dentro de la amplitud de movimiento permitida, y mantenerse donde usted los ajuste. Si los ajustes son abruptos o no permanecen en dicha posición, siga las instrucciones para aflojar o ajustar la tensión y suavizar así el movimiento. Dependiendo del producto y el ajuste, es posible que deba hacer varios intentos hasta poder observar la diferencia.

Il est important que vous ajustiez ce produit par rapport au poids du matériel installé, comme l'indiquent les étapes. À chaque fois que vous ajoutez ou que vous retirez du matériel de ce produit, et que le poids du matériel change, répétez ces étapes d'ajustement pour garantir la sécurité et une utilisation optimale. Les réglages doivent s'effectuer facilement et sans forcer dans toutes les positions et rester en place une fois réalisés. Si les réglages sont difficiles à effectuer et ne restent pas en position, suivez les instructions pour desserrer ou resserrer la tension afin que les mouvements soient plus aisés. Selon le produit que vous utilisez et le réglage, il faut parfois effectuer plusieurs tours de vis avant de remarquer une différence.

Es ist von Bedeutung, dass Sie dieses Produkt entsprechend dem Gewicht des installierten Geräts wie in den folgenden Schritten beschrieben. Wenn Zubehör von diesem Produkt entfernt oder dazu hinzugefügt wird, was zu einer Änderung der Last führt, sollten Sie diese Einstellungsschritte wiederholen, um einen sicheren und optimalen Betrieb zu gewährleisten. Einstellungen sollten über den gesamten Verstellbereich gleichmäßig und leicht durchzuführen sein und an der eingestellten Position verbleiben. Lassen sich die Einstellungen nur schwer durchführen oder bleibt das Gerät nicht in der gewünschten Position, folgen Sie der Anleitung und lockern oder verstärken Sie die Spannung für eine gleichmäßige und leichte Einstellung. Je nach Produkt und Einstellung muss dies mehrmals wiederholt werden, um einen Unterschied zu merken.

Het is belangrijk dat u dit product aanpast volgens het gewicht van de gemonteerde apparatuur zoals beschreven staat in de stappen. Telkens als er apparatuur toegevoegd wordt aan of verwijderd wordt van dit product, wat een verandering van het gewicht van de gemonteerde belasting tot gevolg heeft, moet u deze aanpassingsstappen herhalen om een veilige en optimale werking te garanderen. Verplaatsingen moeten soepel en eenvoudig over het volle bewegingsbereik mogelijk zijn, en de ingestelde positie moet gehandhaafd. Als aanpassingen moeilijk zijn en de gewenste positie blijft niet gehandhaafd, dan volgt u de instructies om de spanning te verminderen of vergroten om een soepele, eenvoudige aanpassing mogelijk te maken. Al naargelang uw product en de gewenste aanpassing, kunnen een paar slagen nodig zijn om verschil te merken.

È importante regolare questo prodotto in base al peso dell'attrezzatura montata, come descritto nella procedura. Ogni volta che si aggiungono o si rimuovono componenti da questo prodotto, variando quindi il peso del carico, ripetere questa procedura di regolazione per garantire il funzionamento ottimale e in sicurezza. I componenti a posizione regolabile devono essere spostabili in modo regolare e agevolmente per la loro intera corsa e rimanere fermi quando li si rilasciano. Se risulta difficile regolare la posizione di un componente o questo non rimane nella posizione desiderata, seguire le istruzioni per ridurre o aumentare la tensione di bloccaggio affinché il movimento risulti agevole e facilmente regolabile. A seconda del prodotto e del tipo di regolazione, possono essere necessarie più corse prima di notare una differenza.

この製品は、取り付けられた機器の重量に応じて次の手順で調整してください。この製品に機器を取り付けたり、取り外したりして重量が変わった場合は、安全かつ最適な操作を保証するために同じ手順をふたたび実行してください。調整は可動域内でスムーズかつ簡単に動く必要があり、選定した位置にしっかり固定されなければなりません。調整の動きがごちなく、選定位置で固定されない場合は、調整がスムーズにできるよう、説明書に従って張力を増減します。お使いの製品や調整によっては、違いがはっきりするまで何回か回さなければならないこともあります。

应当依照下列各步骤中描述的所安装设备的重量来调节本产品，这一点非常重要。任何时候，增减该产品上的设备都会导致安装负载重量的变化，您应当重复这些调节步骤，以确保在最佳条件下安全使用。调节应当在整个动作范围内灵活自如，并能固定在所调整的位置。如果调节困难且不能固定在想要的位置上，请遵照说明书拧松或拧紧，使调节动作灵活自如。根据您所用产品及调节方式，可能需要旋转几圈后才能注意到差别。

조절 장치는 전체 이동 범위에서 부드럽고 쉽게 이동할 수 있어야 하며 사용자가 지정한 위치에 유지되어야 합니다. 조절이 어렵고 원하는 위치에 고정되지 않을 경우 지침에 따라 장력을 줄이거나 높여 조절 장치가 부드럽고 쉽게 움직이게 하십시오. 제품과 조절 장치에 따라 여러 번 돌려야 차이가 느껴질 수 있습니다.



For more information on this product or installation visit: www.ergotron.com

Ergotron Limited Warranty

Ergotron warrants that its products will remain free of defects in material and workmanship for five (5) years. All subject to the exceptions, exclusions and limitations as set forth below.

Exceptions to this warranty include:

- Three (3)-year warranty on all Neo-Flex™ by Ergotron products
- StyleView Carts:
 - Two (2)-year warranty on all power supply components by Ergotron
 - Battery carries an up to a one (1)-year performance warranty (see Limitations below) and six (6)-month warranty against manufacturer's defects. Note: In EU, the warranty against manufacturer's defects is two (2)-years.
- One (1)-year warranty on all electronic non-power supply components (excludes AA batteries)
- OEM products resold by Ergotron are warranted by the respective manufacturer
- Product that is refurbished by Ergotron and sold by Ergotron carries a 90-day warranty
- Thirty (30)-day warranty on all service programs
- Ergotron warranties are nontransferable

Exclusive Remedy: If any Ergotron equipment is or becomes defective in material or workmanship during the warranty period, Ergotron will determine with the customer if the product defect is covered under warranty. Ergotron, at its sole discretion, may replace or repair the unit determined to be under warranty at a designated Ergotron location or at the customer location. The purchaser must get pre-approved authorization to return product to Ergotron. The Purchaser must contact Ergotron to obtain an RMA (Return Material Authorization) number. Ergotron will promptly repair or replace the item and ship it to Purchaser at no charge to the Purchaser. Performance of repair or replacement does not renew or extend the warranty period.

THIS REMEDY IS THE EXCLUSIVE REMEDY FOR BREACH OF WARRANTY AS TO THE EQUIPMENT, except in respect to personal injury. Purchaser shall give Ergotron immediate written notice of any personal injury resulting from use of Ergotron equipment.

Exclusions and Limitations: Ergotron disclaims liability for injuries or losses caused by or associated with installation or use of its equipment in any manner other than in strict conformance with the instructions set forth in its installation manuals, supplemental assembly and installation instruction sheets, technical bulletins or product literature, or by equipment that has been altered, damaged or misused.

Warranty on fully charged batteries left in an unused state for more than three (3) consecutive months is automatically void. Warranty on fully discharged batteries left in an unused state for more than three (3) consecutive days is automatically void.

Two (2)-year warranty on all power supply components by Ergotron; battery carries a 90 day performance warranty and six (6) month warranty against manufacturer's defects. Performance warranty is extended to 1 year on the battery providing:

- StyleLink software is installed and it shows compliance with exclusions and limitations
- Battery is not discharged below 25% capacity more than 25 times
- Battery is fully recharged at least once every 36 hours

Purchaser has not relied upon and Ergotron disclaims any and all warranties other than the expressed warranty stated above, subject to the exclusions and limitations provided herein. Ergotron disclaims all other warranties, expressed or implied, including but not limited to the warranties of merchantability and fitness for a particular purpose. Ergotron further disclaims liability to purchaser and all others for all consequential, incidental and special damages caused by or in connection with the products, their use or misuse, and their performance or nonperformance.

© 2010 Ergotron, Inc.
All rights reserved.

Americas Sales and Corporate Headquarters EMEA Sales

St. Paul, MN USA (800) 888-8458 +1-651-681-7600 www.ergotron.com sales@ergotron.com	Amersfoort, The Netherlands +31 33 45 45 600 www.ergotron.com info.eu@ergotron.com
---	---

APAC Sales Worldwide OEM Sales

Tokyo, Japan www.ergotron.com apaccustomerservice@ergotron.com	www.ergotron.com info.oem@ergotron.com
--	---

While Ergotron, Inc. makes every effort to provide accurate and complete information on the installation and use of its products, it will not be held liable for any editorial errors or omissions (including those made in the process of translation from English to another language), or for incidental, special or consequential damages of any nature resulting from furnishing this instruction and performance of equipment in connection with this instruction. Ergotron, Inc. reserves the right to make changes in the product design and/or product documentation without notification to its users. For the most current product information, or to know if this document is available in languages other than those herein, please contact Ergotron. No part of this publication may be reproduced, stored in a retrieval system, or transmitted in any form or by any means, electronic, mechanical, photocopying, recording or otherwise without the prior written consent of Ergotron, Inc., 1181 Trapp Road, Eagan, Minnesota, 55121, USA Patents Pending and Patented U.S. & Foreign. Ergotron is a registered trademark of Ergotron, Inc.