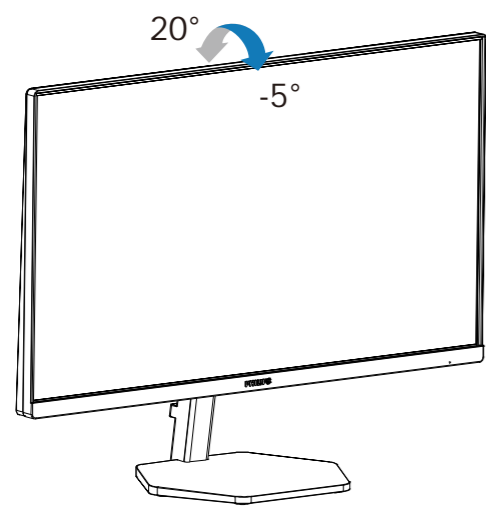


4



Register your product and get support at [www.philips.com/support](http://www.philips.com/support)



Version: 24E1N3300Q1T  
2021 © TOP Victory Investments Ltd. All rights reserved.

This product has been manufactured by and is sold under the responsibility of Top Victory Investments Ltd., and Top Victory Investments Ltd. is the warrantor in relation to this product. Philips and the Philips Shield Emblem are registered trademarks of Koninklijke Philips N.V. and are used under license.

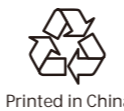
Specifications are subject to change without notice.

**HDMI**

The terms HDMI, HDMI High-Definition Multimedia Interface, and the HDMI Logo are trademarks or registered trademarks of HDMI Licensing Administrator, Inc.

[www.philips.com](http://www.philips.com)

Energy Labelling  
24E1N3300A



Printed in China



H41G78S381328A

**PHILIPS**  
Monitor  
3000 Series

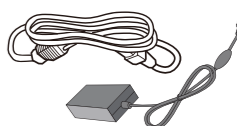
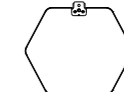
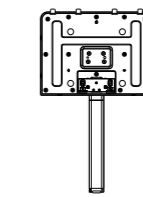
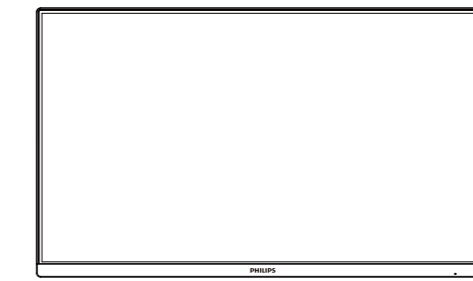


24E1N3300A

# Quick start

Register your product and get support at [www.philips.com/welcome](http://www.philips.com/welcome)

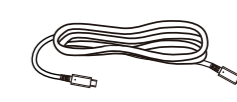
## Contents



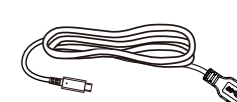
AC/DC Adapter



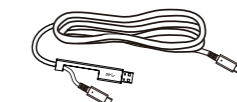
\*HDMI



\*USB C-C



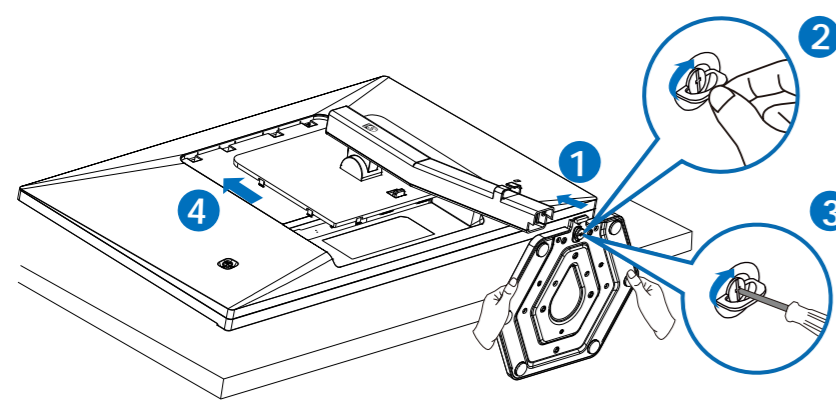
\*USB C-A



\*USB C-C/A

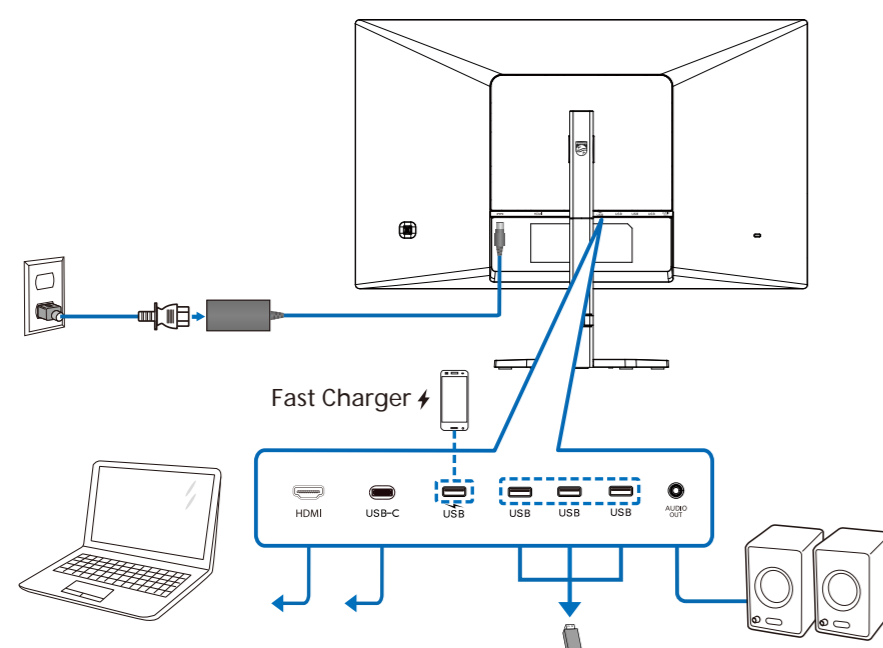
\*Different according to region  
Display design may differ from that illustrated

1

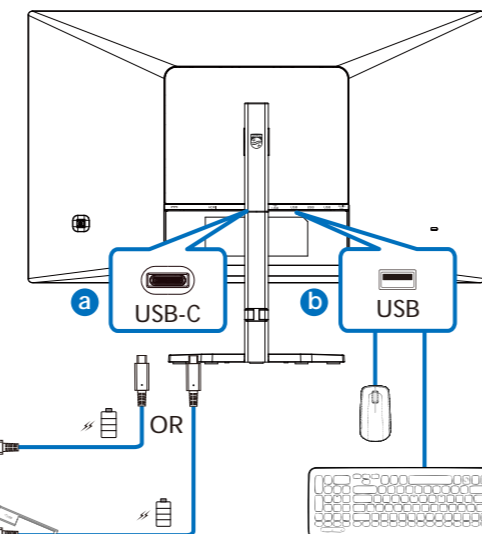
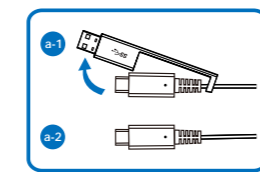


▲ CAUTION: Place the monitor face down on a smooth surface. Pay attention not to scratch or damage the screen.

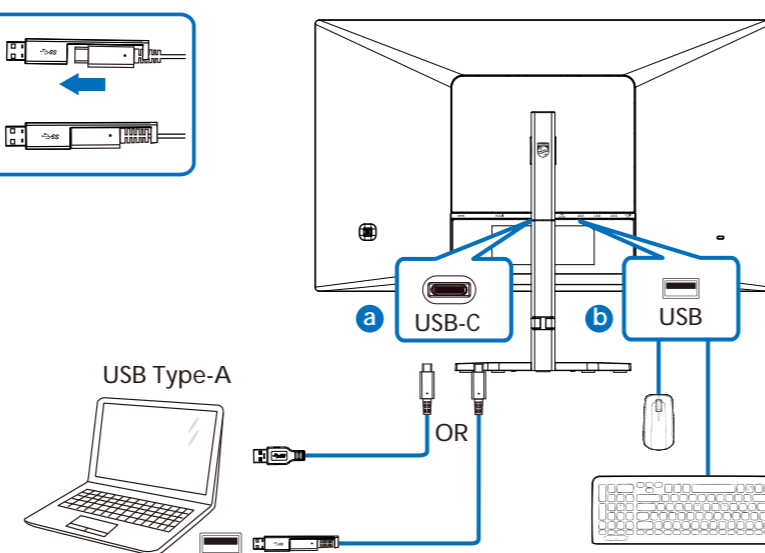
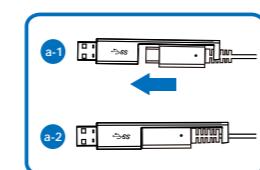
2



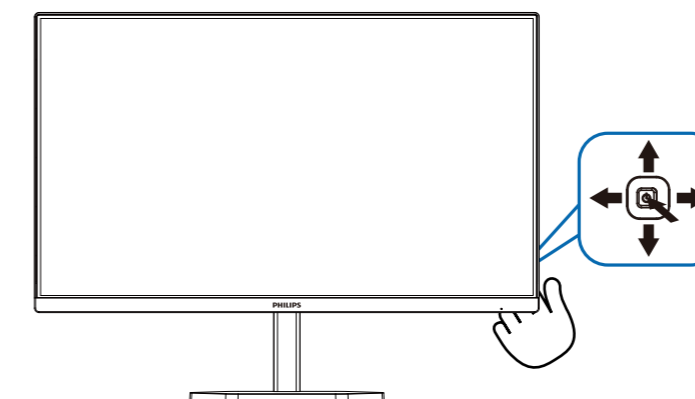
USB C-C



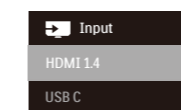
USB A-C



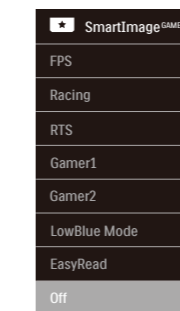
3



↑



←



→

