

# Installation Guide

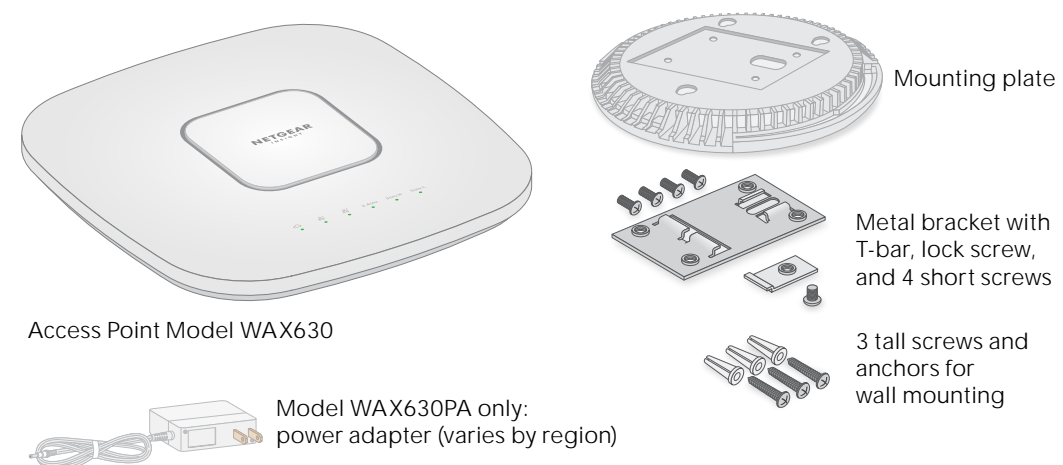
## Insight Managed WiFi 6 AX6000 Tri-band Multi-Gig Access Point

Model WAX630

Model WAX630PA



### Package contents



**Note:** You can power up the WAX630 by connecting it to a PoE++ switch or power adapter. Model WAX630PA includes a power adapter, or you can purchase one separately.

### Overview



## 1. Register the access point in NETGEAR Insight

1. On your mobile device, visit the Apple App Store or Google Play Store, search for NETGEAR Insight, and download the latest version of the app.

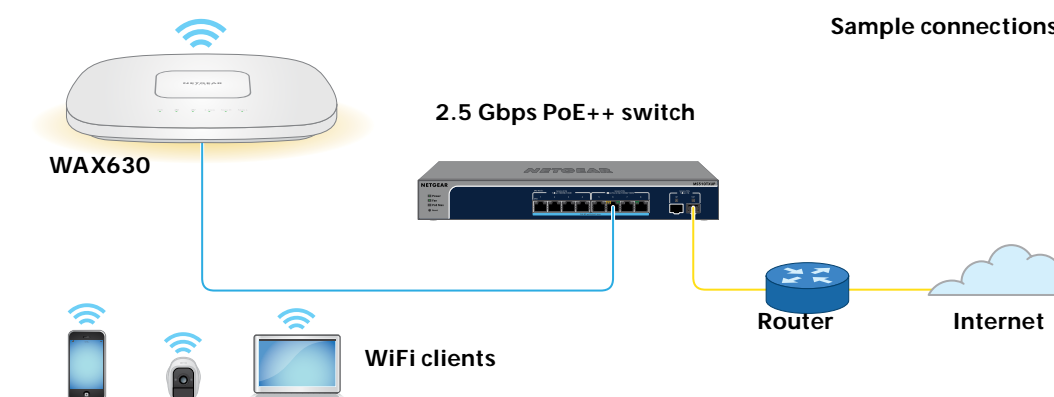


2. Open the NETGEAR Insight app.
3. If you do not have a NETGEAR account, tap **Create NETGEAR Account** and follow the instructions.
4. Enter the email address and password for your account and tap **LOG IN**.
5. Tap **+** in the upper right corner.
6. Either use the camera on your phone to scan the QR code or barcode, or type in the serial number.
7. Follow the instructions to register the device.

## 2. Connect the access point to a PoE++ switch

Power up the WAX630 access point (AP) by connecting the LAN 1/PoE++ port to a PoE++ switch that supplies 802.3bt power (60W PoE++ per-port), or to a power adapter.

The WAX630 LAN 1/PoE++ port supports Ethernet speeds up to 2.5 Gbps. The following figure shows a NETGEAR MS510TXUP switch, which supports speeds of 2.5 Gbps and higher as well as PoE++. However, if your Internet connection, modem, or switch supports a speed of 1 Gbps (which is a common speed), the access point LAN 1 connection functions at 1 Gbps.



The access point receives an IP address from a DHCP server (or a router that functions as a DHCP server) in your network. If your network does not include a DHCP server, the access point uses its default IP address 192.168.0.100.

After starting up and during setup, the access point's LEDs can light in these colors:

<b>Power/Cloud</b>		<b>Slow blinking amber.</b> The access point is starting, the firmware is being upgraded, or the access point is trying to get an IP address.
		<b>Solid green.</b> The access point started up and functions either as a standalone access point, or as an Insight discovered access point that is not connected to the Insight cloud-based management platform.
		<b>Solid blue.</b> The access point functions in Insight mode and is connected to the Insight cloud-based management platform.
<b>LAN 1</b> (one of two speed options)		<b>Solid green.</b> The LAN 1 port detects a speed of 2.5 Gbps.
		<b>Solid amber.</b> The LAN 1 port detects a speed of less than 2.5 Gbps, such as 1 Gbps (which is a common speed).
<b>LAN 2</b> (one of two speed options)		<b>Solid green.</b> The LAN 2 port detects a speed of 1 Gbps.
		<b>Solid amber.</b> The LAN 2 port detects a speed of 100 or 10 Mbps.
<b>2.4 GHz WLAN</b>		<b>Solid green.</b> The 2.4 GHz radio is operating without clients.
<b>5 GHz H WLAN</b>		<b>Solid green.</b> The 5 GHz high band radio is operating without clients.
<b>5 GHz L WLAN</b>		<b>Solid green.</b> The 5 GHz low band radio is operating without clients.

For more information about the LEDs, see the user manual, which you can download by visiting [netgear.com/support/download](https://netgear.com/support/download).

## 3. Configure the access point with NETGEAR Insight

Make sure that the switch to which the access point is connected has Internet connectivity.

1. Connect your mobile device to the access point's setup SSID (WiFi network name). The setup SSID is on the access point label on the bottom of the access point and is shown in the format NETGEARxxxxx-SETUP, where xxxxxx are the last six digits of the access point's MAC address. The default password is **sharedsecret**.
2. Open the NETGEAR Insight app.
3. Enter the email address and password for your Insight account and tap **LOG IN**. In most situations, Insight detects the access point automatically. This process can take several minutes.
4. Select the access point and tap **Next**. You are prompted to add the access point to an Insight network location.
5. Create a new network location, tap **Next**, and then tap **OK**. The device admin password that you entered for the new network location replaces the existing admin password on all devices that you add to the network location. Your Insight network location is now set up and the access point is added to the network location.
6. If prompted, name the access point and tap **Next**. The access point automatically updates to the latest Insight firmware. This might take up to 10 minutes, during which the access point might restart. The access point is now an Insight managed device that is connected to the Insight cloud-based management platform. If the Power/Cloud LED was solid green, it now lights solid blue.
7. Use the Insight app to configure and manage the access point.

### Other setup methods

If you are an Insight Premium or Insight Pro subscriber, you can use the NETGEAR Insight Cloud portal to set up the access point.

You can also use the access point's local browser user interface (UI) to set up the access point. For more information, see the user manual, which you can download by visiting [netgear.com/support/download](https://netgear.com/support/download).

#### **CAUTION: Terms of Use**

This device must be professionally installed. It is the installer's responsibility to follow local country regulations including operations within legal frequency channels, output power and DFS requirements. Vendor or Reseller or Distributor is not responsible for illegal wireless operations. Please see Device's Terms and Conditions for more details.



201-28738-01

NETGEAR, Inc.  
350 East Plumeria Drive  
San Jose, CA 95134, USA

June 2021

NETGEAR INTERNATIONAL LTD  
Floor 1, Building 3,  
University Technology Centre  
Curraheen Road, Cork,  
T12EF21, Ireland

© NETGEAR, Inc., NETGEAR and the NETGEAR Logo are trademarks of NETGEAR, Inc. Any non-NETGEAR trademarks are used for reference purposes only.

# Mounting options

You can mount the access point to a solid surface (a wall or a ceiling), or to a ceiling with a 15/16 in. (23.8 mm) T-bar, or you can install the access point freestanding on a flat surface.

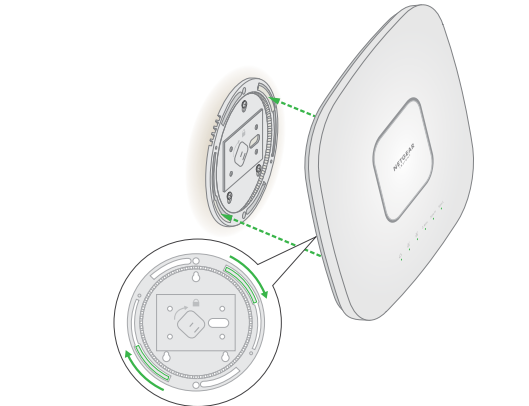
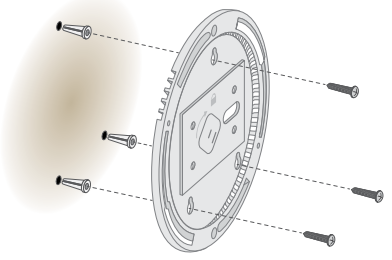
We recommend that you use a flat Ethernet cable so that the cable fits in the narrow space between the access point and the surface on which it is mounted or placed.

Before you mount the access point, first set up and test the access point to verify WiFi network connectivity.

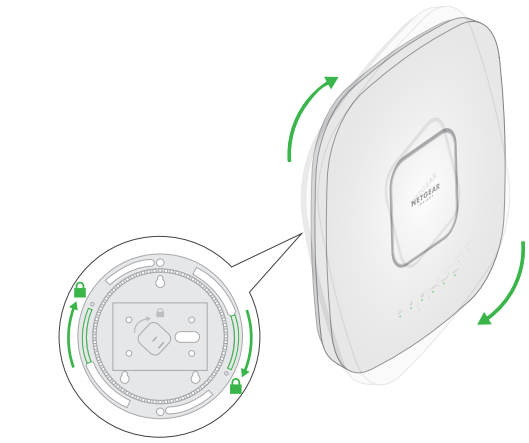
**Note:** If you are mounting the access point on a hard ceiling, use the wall-mounting instructions (see the following section).

# Mount the access point on a wall

1. Place the mounting plate on the wall.
2. Mark the wall where the mounting holes are.
3. Use the wall anchors and screws to attach the mounting plate to the wall. Connect any cables.
4. Attach the access point to the mounting plate.

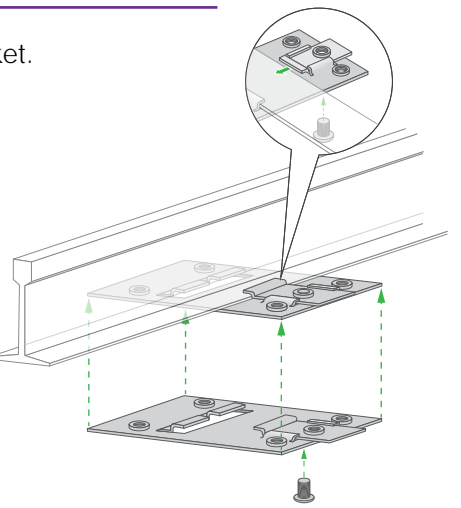


5. Twist the access point clockwise to lock it onto the mounting plate.

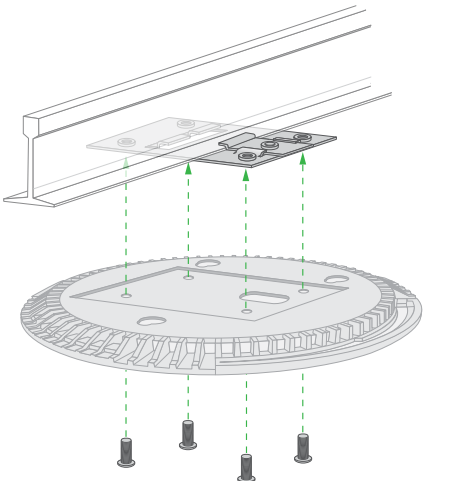


# Mounting the access point to a T-bar

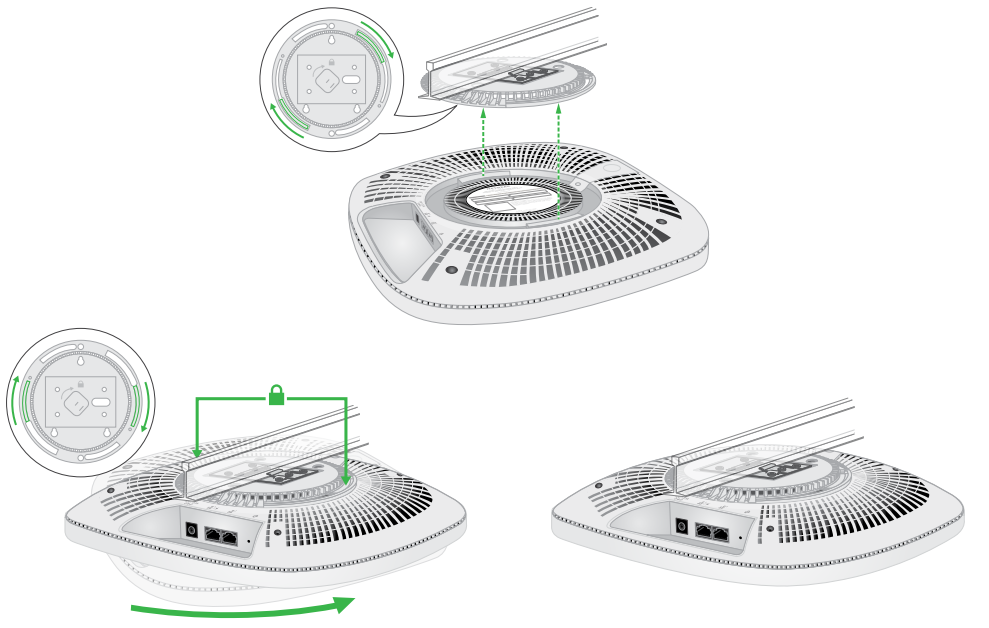
1. Slide the T-bar partially into the metal bracket.
2. Attach the metal bracket to the ceiling bar.
3. Push the T-bar over the ceiling bar.
4. Use the lock screw to lock the metal bracket into place.



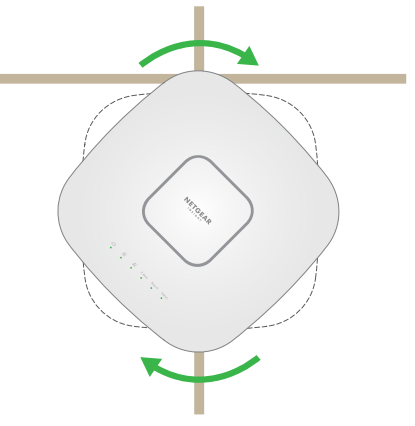
5. Use the four short screws to attach the mounting plate to the T-bar.
6. Connect a PoE cable or power adapter to the access point before mounting. The access point is designed to be unobtrusive, so it sits flat on the ceiling surface when it is mounted.



7. Hold the access point upside down and attach it to the mounting plate.



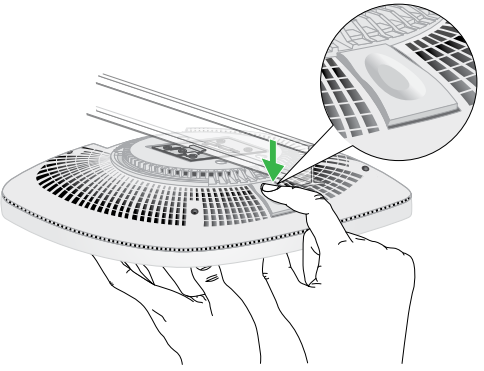
8. Twist the access point clockwise to lock it onto the mounting plate.



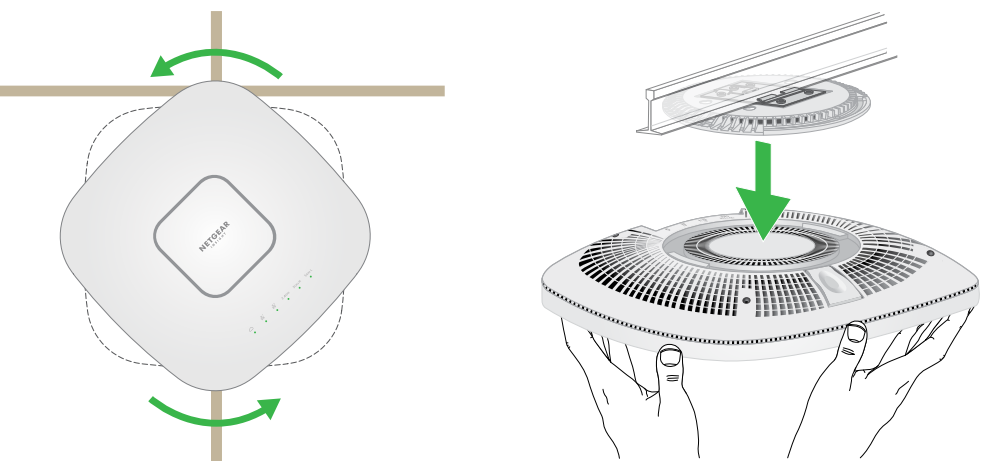
# Unmount the access point

**IMPORTANT:** Make sure you hold the access point so that it does not drop when you release it from the mounting plate.

1. To find the locking latch, place your thumb on the center of the LEDs, and your finger on the other side of the device, directly opposite the thumb.
2. Press and hold the latch down to release the lock and keep the lock open.



3. Turn the access point counterclockwise until the access point releases from the mounting plate. The mounting plate remains attached to the ceiling or the wall.



# Support and Community

Visit [netgear.com/support](https://www.netgear.com/support) to get your questions answered and access the latest downloads.

You can also check out our NETGEAR Community for helpful advice at [community.netgear.com](https://community.netgear.com).

# Regulatory and Legal

Si ce produit est vendu au Canada, vous pouvez accéder à ce document en français canadien à <https://www.netgear.com/support/download/>.

(If this product is sold in Canada, you can access this document in Canadian French at <https://www.netgear.com/support/download/>.)

For regulatory compliance information including the EU Declaration of Conformity, visit <https://www.netgear.com/about/regulatory/>.

See the regulatory compliance document before connecting the power supply.

For NETGEAR's Privacy Policy, visit <https://www.netgear.com/about/privacy-policy>.

By using this device, you are agreeing to NETGEAR's Terms and Conditions at <https://www.netgear.com/about/terms-and-conditions>. If you do not agree, return the device to your place of purchase within your return period.

Do not use this device outdoors. The PoE source is intended for intra building connection only.