

GERMANY'S NO. 1\*  
PSU MANUFACTURER

be quiet!®



# SFX POWER 3

COMPACT AND SILENT ENERGY

450W • 300W

## IDEAL APPLICATIONS

Mini and media PC systems  
Systems with low installation depth  
Classic office and web applications

## HIGHLIGHTS

Compact and space-saving design  
Strong 12V-rail  
80 PLUS® Bronze efficiency (up to 89.3%)

### Compact and Silent Energy

SFX Power 3, the first choice compact PSU for mini and media PCs with PCIe graphic card support.

#### Highlights »

- Strong 12V rail with up to 450W of continuous power
- Up to two 6+2 pin PCIe connectors for powerful GPUs
- High-quality temperature-controlled 80mm fan for quiet operations of max. 33.8dB(A)
- Sleeved black cables up to 60cm
- 80 PLUS® Bronze efficiency (up to 89.3%)
- Meets the latest safety and efficiency requirements
- Three-year manufacturer's warranty
- Product conception, design and quality control in Germany



\*According to the yearly PC Games Hardware's „Manufacturer of the year“ election (2006-2020) and market data from GfK (2007-2021).

# SFX POWER 3

COMPACT AND SILENT ENERGY

be quiet!®

Technical Data »			
IN GENERAL	Model	450W	300W
	Article no.	BN321	BN320
	EAN Code	4260052188279	4260052188262
	Voltage (Vac) / Frequency (Hz)	100 - 240 / 50 - 60	100 - 240 / 50 - 60
	Dimensions (L x W x H)	100 x 125 x 63.5	100 x 125 x 63.5
	SFX12V 3.42 / EPS 12V 2.92	✓ / ✓	✓ / ✓
	Wire-free (DC-side)	-	-
	Silence-optimized be quiet! fan (mm)	80	80
	Noise level (dB(A)) at 20 / 50 / 100% load	13.2 / 13.2 / 33.8	14.4 / 14.4 / 29.4
	12V rail (Multi-Rail) / 12V Single Rail	- / ✓	- / ✓
	Overclocking Key / Jumper	- / -	- / -
	Power Good signal	100-150ms	100-150ms
	PFC	active	active
	Certification / Efficiency (%) at 230V	80 PLUS® Bronze / 89.3%	80 PLUS® Bronze / 89.2%
	CABLES	No. of cables	5
Maximum cable length (cm)		60	60
Length of ATX-connection cable (cm)		35	35
Cable management		Fixed	Fixed
Sleeved cables		20+4 pin	20+4 pin
Flat cables		PCIe, drives, P8	PCIe, drives, P4
CONNECTORS		ATX motherboard (20+4-pin)	✓
	PCI express (6+2-pin)	2	1
	P8-/P4-connector	1 / -	- / -
	SATA	3	3
	PATA	2	2
	FDD (Floppy)	1	1

Output Data »						
AC Input		100-240Vac 50-60Hz 6-2.5A				
DC Output		3.3V	5V	12V1	-12V	5VsB
450W	Max. Current	16A	16A	37.5A 37.5A	0.3A	2.5A
	Max. Combined Power	85W		450W	3.6W	12.5W
<b>450W</b>						
AC Input		100-240Vac 50-60Hz 5-2A				
DC Output		3.3V	5V	12V1	-12V	5VsB
300W	Max. Current	16A	16A	25A 25A	0.3A	2.5A
	Max. Combined Power	85W		300W	3.6W	12.5W
<b>300W</b>						

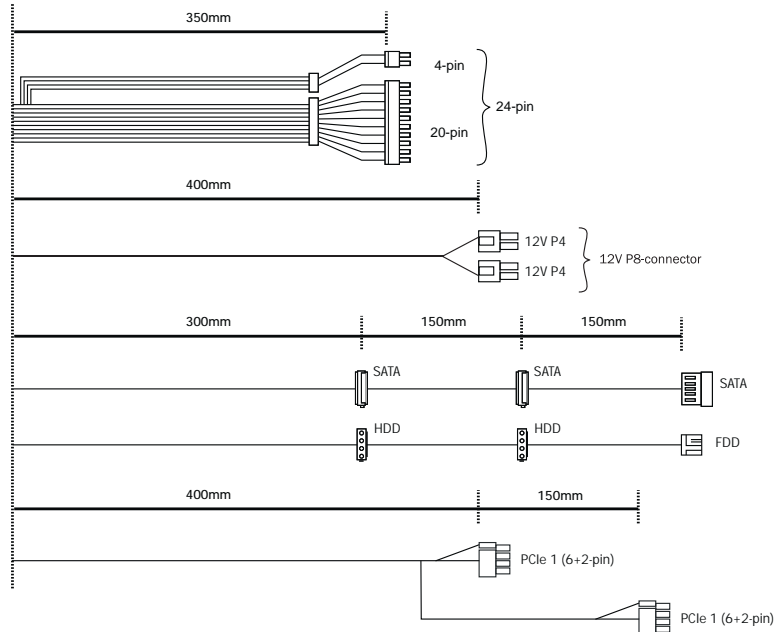
# SFX POWER 3

be quiet!

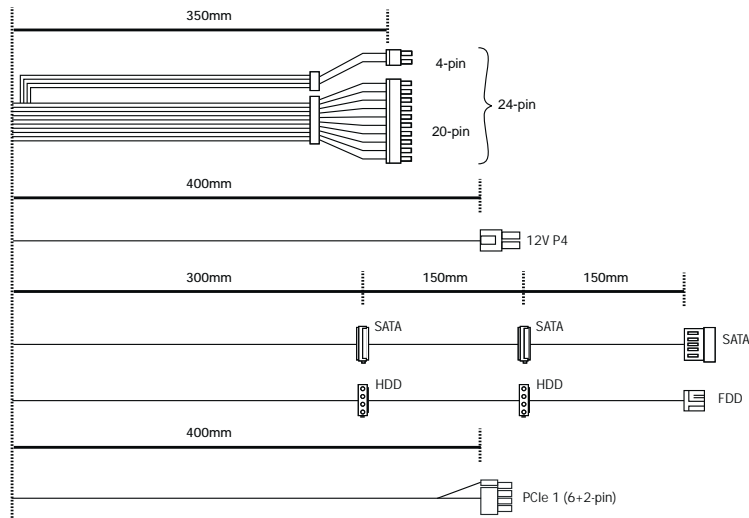
COMPACT AND SILENT ENERGY

## Cables »

450W



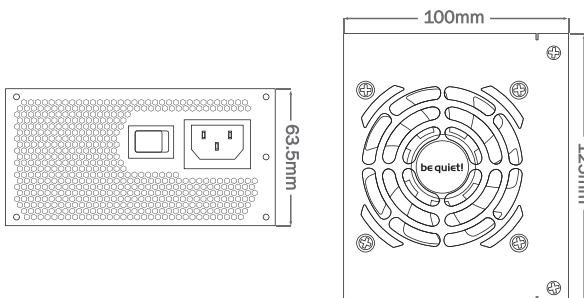
300W



## Logistics data »

Region	Model	Article no	EAN code
EU	SFX Power 3 450W	BN321	4260052188279
EU	SFX Power 3 300W	BN320	4260052188262

## Dimensions »



## Certifications »



## Contact »

be quiet! Headquarters  
 Listan GmbH  
 Wilhelm-Bergner-Straße 11c  
 21509 Glinde  
 Germany

Service hotline: +49 40 7367 686 44  
 e-mail: [service@bequiet.com](mailto:service@bequiet.com)

Visit the contact section on [bequiet.com](http://bequiet.com) for the right regional service information.