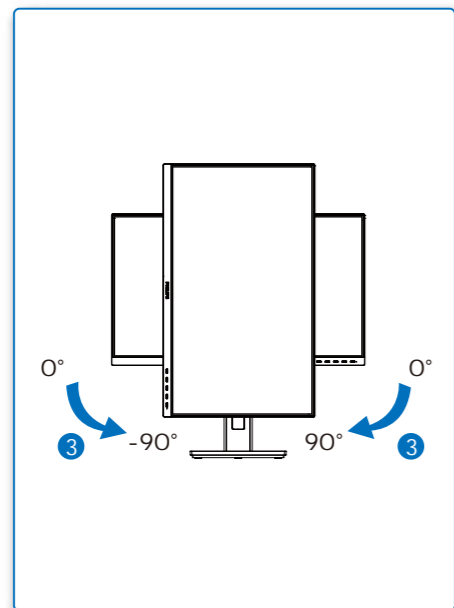
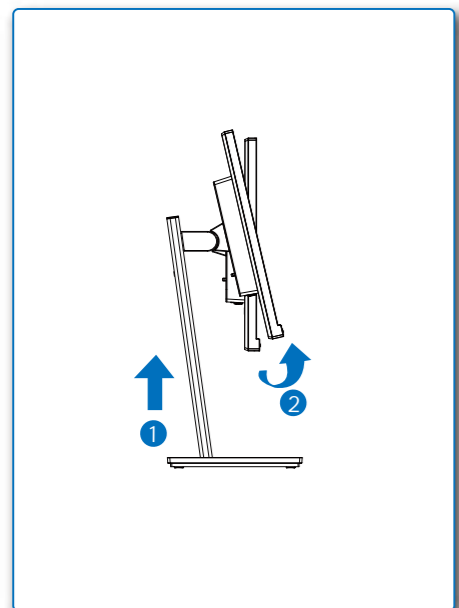
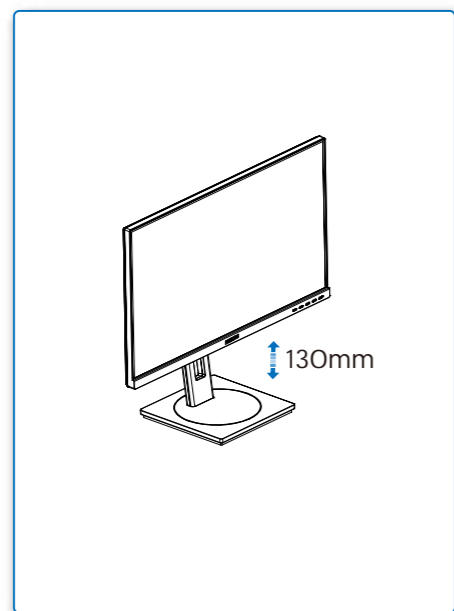
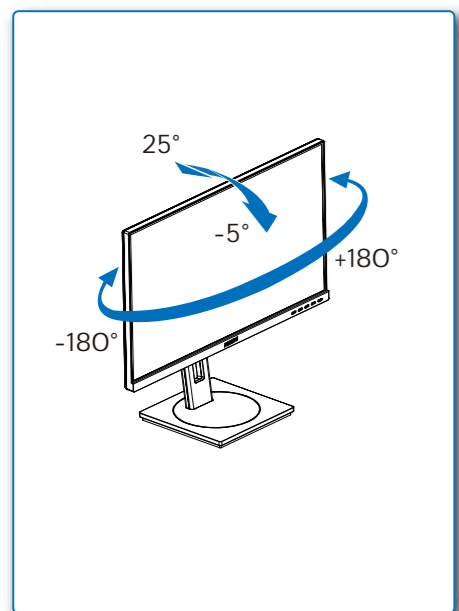
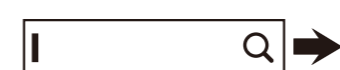


4



Register your product and get support at [www.philips.com/support](http://www.philips.com/support)



FAQ

Software SmartControl

User Manual

Version M10222SQ1T

2020 © TOP Victory Investments Ltd. All rights reserved.

This product has been manufactured by and is sold under the responsibility of Top Victory Investments Ltd., and Top Victory Investments Ltd. is the warrantor in relation to this product. Philips and the Philips Shield Emblem are registered trademarks of Koninklijke Philips N.V. and are used under license.

Specifications are subject to change without notice.

**HDMI**

The terms HDMI, HDMI High-Definition Multimedia Interface, and the HDMI Logo are trademarks or registered trademarks of HDMI Licensing Administrator, Inc.

[www.philips.com](http://www.philips.com)

Energy Labelling

222S1AE



Printed in China



D41G22M181307C

PHILIPS

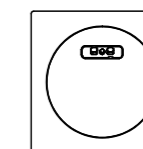
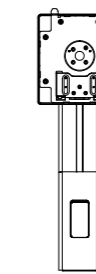
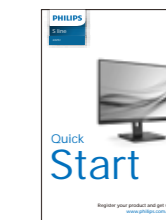
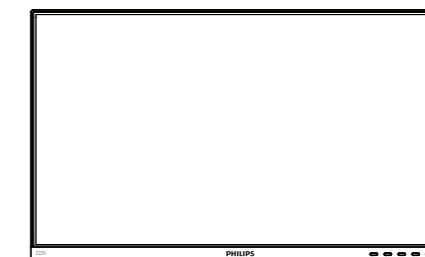
S line

222S1



# Quick Start

Register your product and get support at [www.philips.com/welcome](http://www.philips.com/welcome)



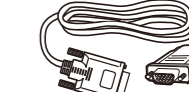
\*CD



Power



\*DP



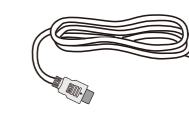
\*VGA



\*Audio



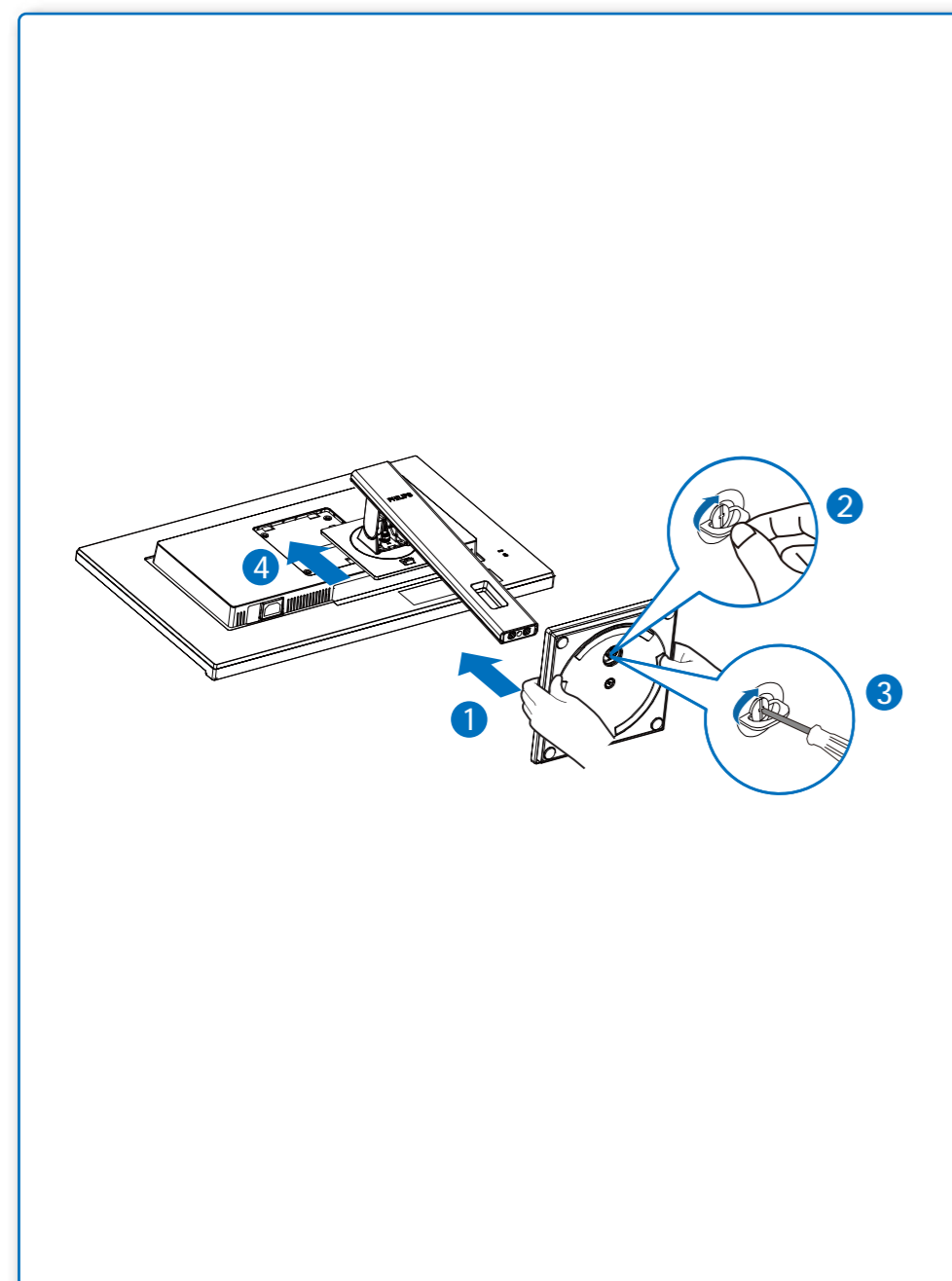
\*DVI



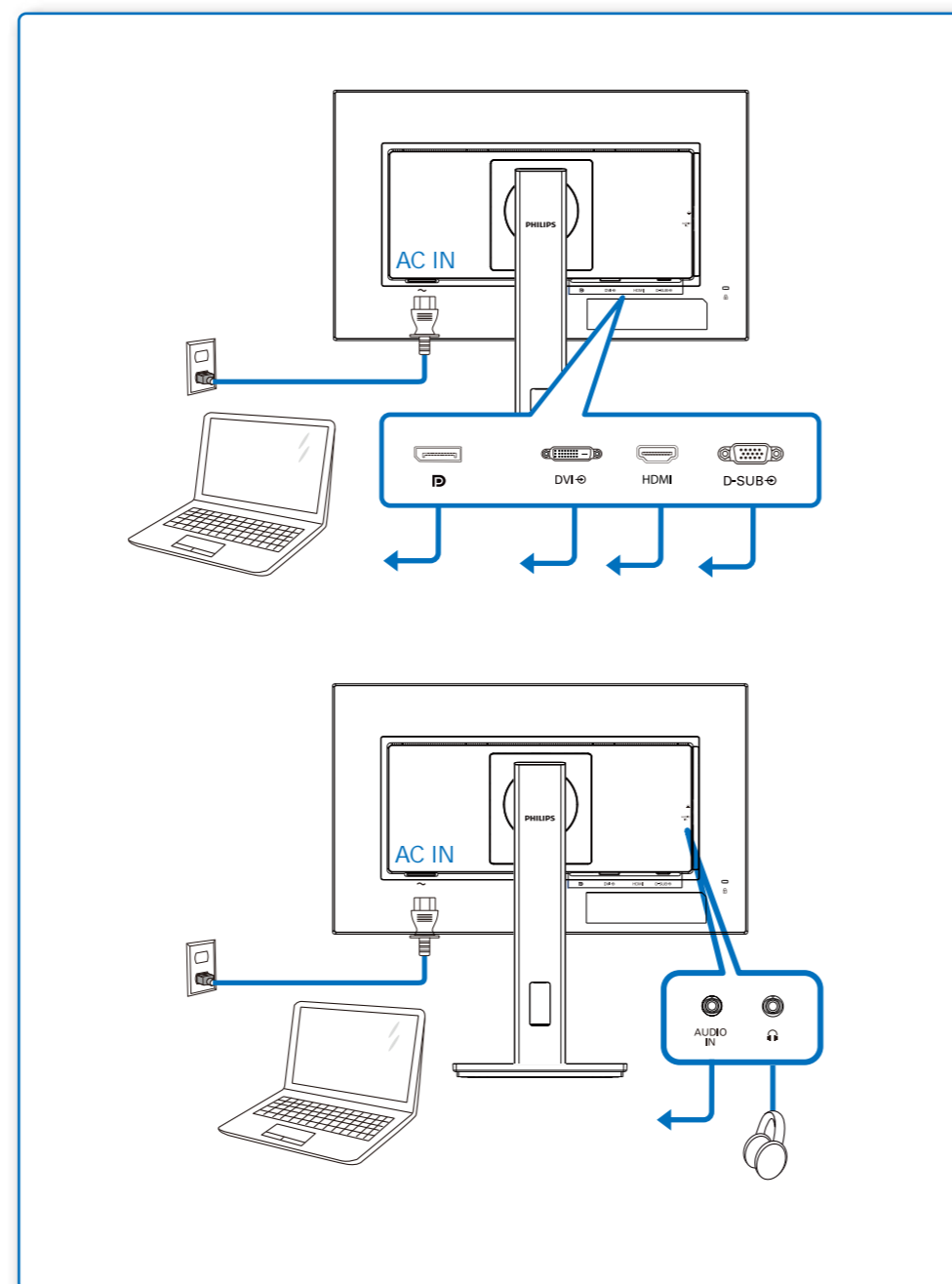
\*HDMI

\*Different according to region  
Display design may differ from that illustrated

1



2



3

