

MiHome Click

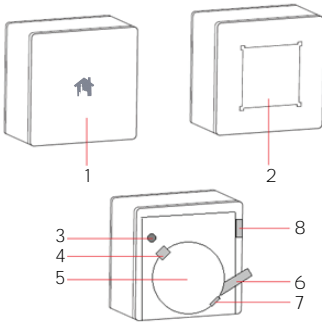
Quick Start Guide



The MiHome Click is part of the MiHome home automation range. This allows you to set three user defined configurable actions per MiHome Click device, enabling you to control other compatible MiHome devices.

In the Box:

- MiHome Click
- Battery, Already Fitted (1x CR2450)
- Double Sided Fixing Pad
- User Guide



- | | |
|--------------------|----------------------|
| 1 – MiHome Click | 5 – Battery |
| 2 – Battery cover | 6 – Plastic tab |
| 3 – Pairing button | 7 – Locating tab |
| 4 – Battery latch | 8 – Pairing LED view |

Available Functions

- Single Click
- Double Click
- Long Click

Connecting the Battery

Before the MiHome Click is used for the first time, remove the battery cover (2) on the MiHome Click (if fitted) by carefully sliding apart, and remove the plastic tab (6).

Pairing with the MiHome Gateway

Your MiHome Click needs to be paired with the MiHome Gateway before it can be used. You must pair your MiHome Click with the MiHome Gateway before installing it. Please ensure that your device is in range of the Gateway when you pair it. We suggest up to 10 metres, unobscured by furniture or walls etc.

Pairing via the App on your Smartphone

1. Log into your MiHome account on the MiHome App (App available free on iOS or Google Play Store)
2. Select Add a new device from menu and choose Click.
3. Follow onscreen pairing instructions, pressing the pairing button (3) for 5-6 seconds when required. The pairing LED which can be seen through the pairing LED

- view slot (9) will flash up to 5 times to indicate pairing mode.
4. Check the MiHome Click is now visible in the device list, if not, repeat steps 2 and 3 as above.

Pairing via a Browser

1. Log into your MiHome account at mihome4u.co.uk.
2. Select Pair New Device from the mihome4u.co.uk/devices
3. Select the Click, followed by Pair Device and then follow the onscreen pairing instructions, pressing the pairing button (3) for 5-6 seconds when required. The pairing LED which can be seen through the pairing LED view slot (9) will flash up to 5 times to indicate pairing mode.
4. Check the MiHome Click is now visible in the device list, if not, repeat steps 2 and 3 as above.

Installation

1. Remove covering from one side of fixing pad, and fix into square recess on rear of battery cover.
2. Mount the MiHome Click to desired location by removing remaining covering from fixing pad and pressing into place.

Note: Before fixing into place, ensure that MiHome Click communicates with the MiHome Gateway in the desired position, and that the fixing location is clean and dry.

Safety

If you do not install and use in line with this guide the warranty will become invalidated and we will not be liable for any damage or loss whatsoever, including indirect loss, damage to property or personal injury. You must only use the product in dry areas indoors, and it must be protected from moisture and water. Do not disassemble, other than as described in the installation section of this user guide, as it does not contain any parts to service. If it arrives faulty, return it to where you bought it. Your statutory rights are not affected

Further Help

For more help, look online at mihome4u.co.uk/troubleshooting and www.energenie4u.co.uk where you can download a more comprehensive user manual, or contact our helpful support team in the UK via 08000 469 466 or support@mihome4u.co.uk

Further contact methods can be found at: https://energenie4u.co.uk/about_us/contact_us

SIMPLIFIED EU DECLARATION OF CONFORMITY

Hereby, Sandal Plc, T/a Energenie declares that the radio equipment type MIHO089 MiHome Multi Sensor is in compliance with Directive 2014/53/EU. The full text of the EU declaration of conformity is available at the following internet address: www.energenie4u.co.uk

