



B-TECH AV MOUNTS™

**EASY
TORSION-TILT
SYSTEM**

BT8431

UNIVERSAL FLAT SCREEN WALL MOUNT WITH TILT

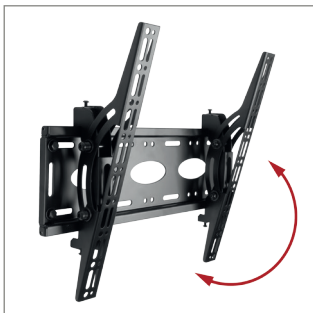
Designed to mount medium to large sized screens, the BT8431 is a flat screen wall mount that features a unique 'Torsion-Tilt' mechanism which allows easy tilt adjustment of the screen up to +/-15°. Also suitable for pole mounting using B-Tech's Accessory Collars, the BT8431 features levelling screws to adjust the screen level post installation as well as locking screws which help prevent unauthorised removal of the screen.

SPECIFICATION

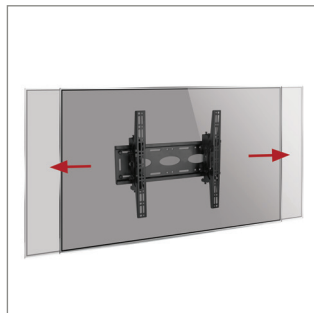
Recommended screen size	39" - 55"
Max load	50kg
VESA® compatibility	up to 400 x 400
Universal fixings	up to 468mm x 400mm
Tilt adjustment	+/-15°
Distance from wall (flat)	81mm
Distance from wall (full tilt)	148mm
Colour	Black

FEATURES

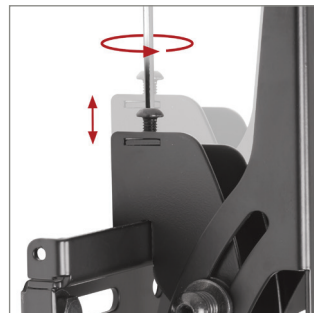
- Unique 'Torsion-Tilt' mechanism for easy tilt adjustment
- Post installation screen alignment for perfect screen positioning
- Compatible with B-Tech's collar and pole system for pole mounting screens
- Arms feature levelling screws to adjust the screen height
- Safety screws help prevent unauthorised removal of screens
- Simple 'hook-on' installation
- All mounting hardware included



Unique 'Torsion-Tilt' mechanism allows for easy tilt adjustment up to +/-15°



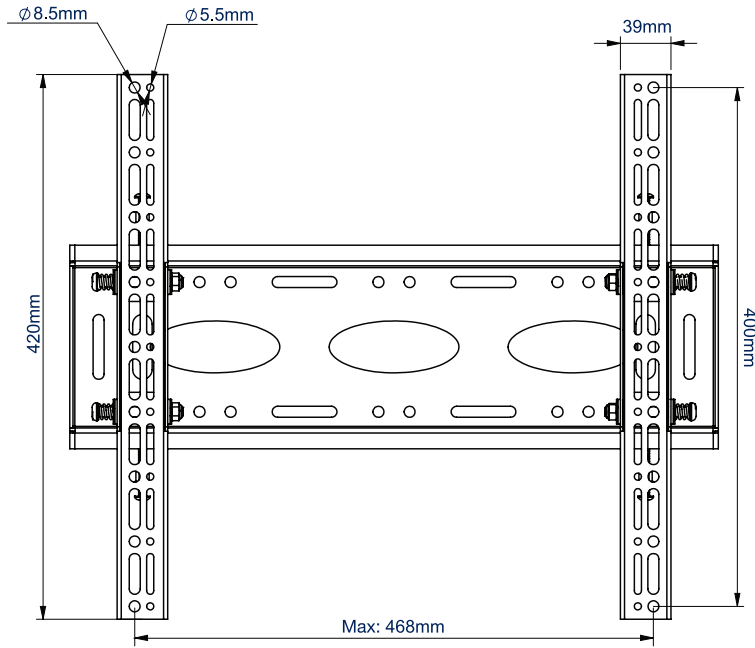
Post installation lateral screen alignment for perfect screen positioning



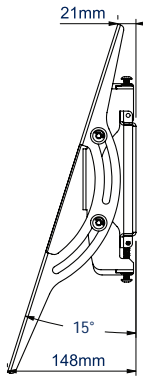
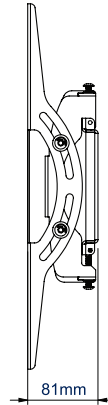
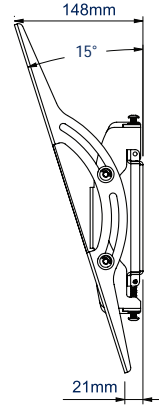
Arms feature levelling screws to adjust the screen height once mounted



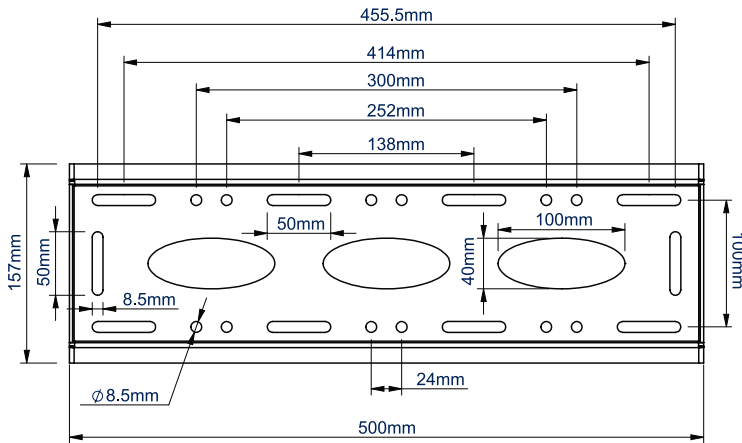
Security locking screws and Allen key provided for a secure installation



FRONT VIEW



SIDE VIEWS



WALL PLATE - FRONT VIEW

PACKING INFORMATION

COLOUR:	ORDER REF:	EAN CODE:	MASTER CARTON QTY:	INNER CARTON QTY:	MASTER CARTON WEIGHT:	MASTER CARTON CUBE:
Black	BT8431/B	5019318084270	2	0	8.9kg	0.028cbm

ACCESSORIES AND RELATED PRODUCTS



BT8210
Ultra-Slim Universal Flat Screen Wall Mount for screens up to 55"



BT7822
Heavy Duty Floor / Ceiling Mount
Can be used in conjunction with B-Tech poles and collars to create pole mounted solutions



BT7850
50mm Diameter Poles are available in a choice of 6 lengths and can be used to create multiple pole mounted solutions



BT7841
50mm Accessory Collars can be used to the BT8431 to allow the mount to be attached to a pole

© 2016 B-Tech Mounts Professional Design & Manufacturing Ltd. All rights reserved. No part of this publication may be reproduced, stored in a retrieval system, or transmitted in any form or by any means, electronic, mechanical, photocopying, recording, or by any information storage and retrieval system, without the prior written permission of B-Tech Mounts Professional Design & Manufacturing Ltd. B-Tech Mounts Professional Design & Manufacturing Ltd. is not responsible for any damage caused by the use of this product.