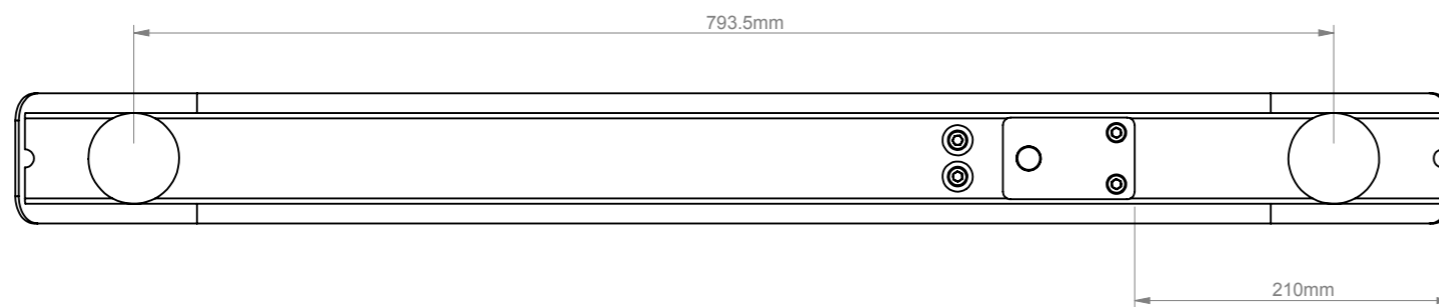
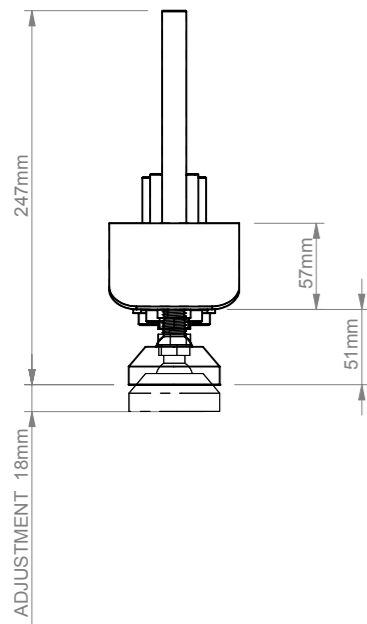
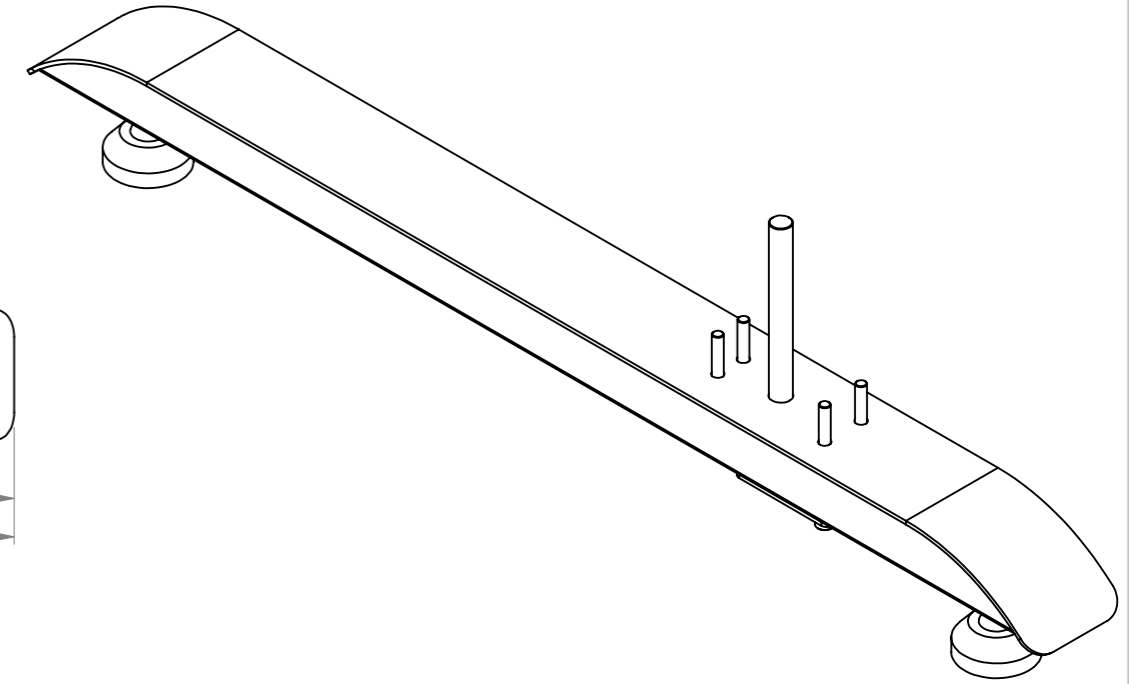
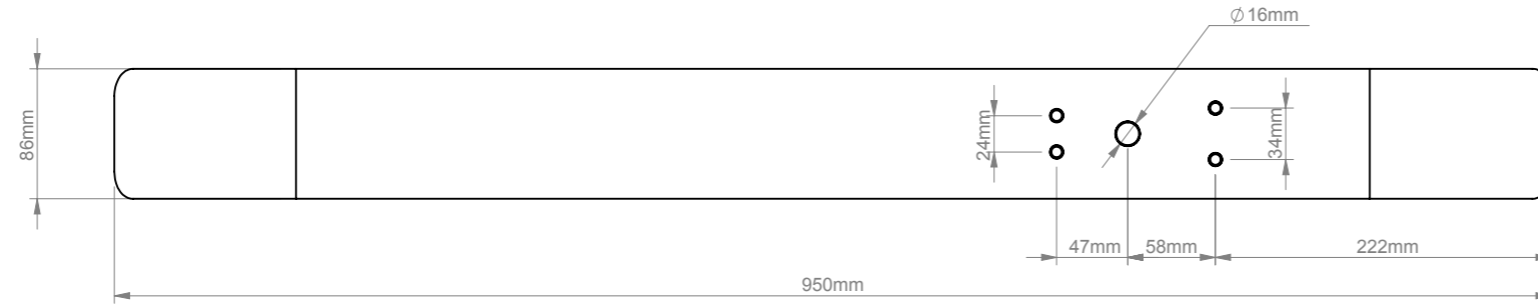



THE INFORMATION CONTAINED IN THIS DRAWING IS THE SOLE PROPERTY OF B-TECH INTERNATIONAL DESIGN AND MANUFACTURING LIMITED, ANY REPRODUCTION IN PART OR WHOLE WITHOUT THE WRITTEN PERMISSION OF B-TECH INTERNATIONAL DESIGN AND MANUFACTURING LIMITED IS PROHIBITED.



B-Tech International Design and Manufacturing Limited		B-Tech No: BT8380-BASE
Part of the B-Tech International Group of Companies		Version: V1.0
 UNLESS OTHERWISE SPECIFIED DIMENSIONS ARE IN MILLIMETERS	Size: A3	Title: SYSTEM X - Floor Stand Base Unit
	Scale: 1:5	Revision: 0.0
Sheet: 1 of 1	Date: 11/04/2015	File Name: BTD-BT8380-BASE-R0.0