



CREATE
 FREESTANDING
 OR MOBILE
 INSTALLS

BT8380-BASE

SYSTEM X™

FLOOR BASE FOR TROLLEYS AND STANDS



As part of the System X range the BT8380-BASE attaches directly to BT8380 Vertical Support Columns to create a secure foundation for freestanding or mobile screen mounting. The sturdy metal base is supplied with adjustable levelling feet for post-installation levelling, these feet can be removed and replaced with BT8380-CASTORS (4" Locking/Braked Castors) to create mobile mounting solutions. Bases are supplied as individual units, one base must be used per column.

SPECIFICATION

Length	950mm
Width	86mm
Height (with levelling feet)	107mm - 125mm
Colour	Black

FEATURES

- Creates a secure foundation for System X vertical support columns
- Attaches easily to vertical columns using the Zinc-plated support stems
- Each base is supplied with levelling feet to allow for post installation levelling
- Can be used with **BT8380-CASTORS** (4" locking / braked castors, available separately) to create mobile mounting solutions
- Freestanding installs can be secured for added security using **BT8380-FBFK** floor base fixing kit (available separately)
- Supplied as individual units, one base must be used per column
- High-end aesthetic quality
- All mounting hardware included



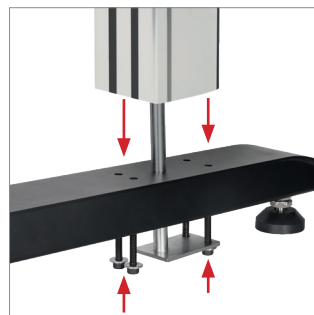
SYSTEM X™
 COMPONENT PART



Each base is supplied with 2 levelling feet to allow for post installation levelling



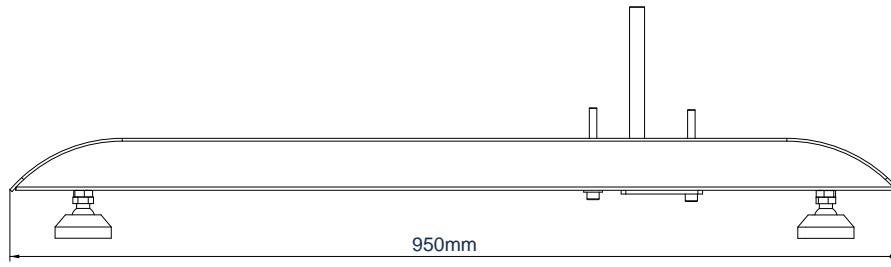
Can be used with **BT8380-CASTORS** 4" locking / braked castors to create mobile mounting solutions



Attaches easily to vertical columns using the Zinc-plated support stems



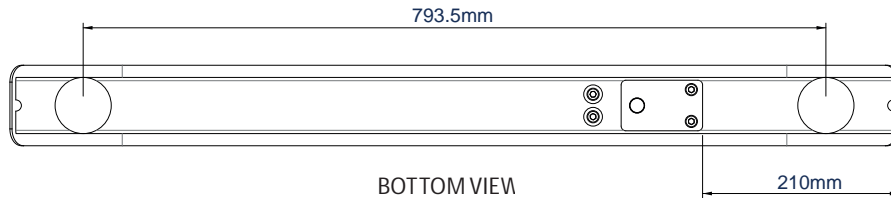
Freestanding installs can be securely bolted to the floor for added security using **BT8380-FBFK** floor base fixing kit



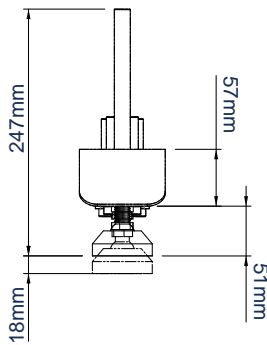
SIDE VIEW



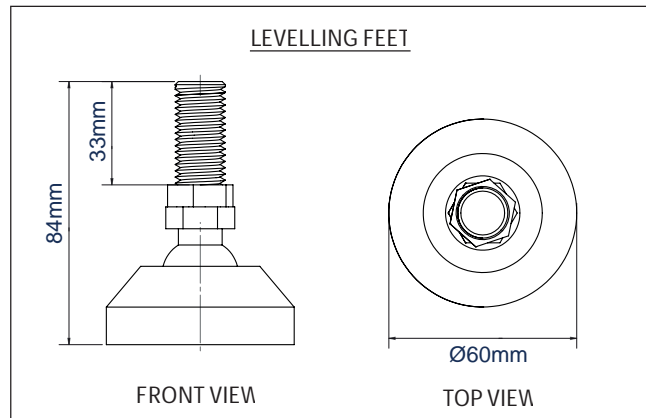
TOP VIEW



BOTTOM VIEW



FRONT VIEW



FRONT VIEW

TOP VIEW

PACKING INFORMATION

ORIGINAL DESIGNS BY B-TECH AV MOUNTS - REGISTERED DESIGNS & PATENTS APPLY

COLOUR:	ORDER REF:	EAN CODE:	MASTER CARTON QTY:	INNER CARTON QTY:	MASTER CARTON WEIGHT:	MASTER CARTON CUBE:
Black	BT8380-BASE/B	5019318501050	2	0	13.9kg	0.051cbm

ACCESSORIES AND RELATED PRODUCTS

BT8380-CASTORS



4" Non-marking Braked Castors attach easily to BT8380-BASES

BT8380-FBFK



Floor Fixing Kit secures System X freestanding installations to the floor for added security

BT8380-060/180/240



BT8380-BASE attaches directly to Vertical Support Columns to create a foundation for freestanding or mobile screen mounting

BT8380-FFB



Fixed Floor Base provides a close-to-the-wall, bolt down solution that can be used as an alternative to BT8380-BASE

© 2018 B-Tech Professional Design & Manufacturing Ltd. All rights reserved. No part of this publication may be reproduced, stored in a retrieval system, or transmitted in any form or by any means, electronic, mechanical, photocopying, recording, or by any information storage and retrieval system, without the prior written permission of B-Tech Professional Design & Manufacturing Ltd. B-Tech Professional Design & Manufacturing Ltd. is not responsible for any damage or loss of data caused by the use of this product. B-Tech Professional Design & Manufacturing Ltd. is not responsible for any damage or loss of data caused by the use of this product.