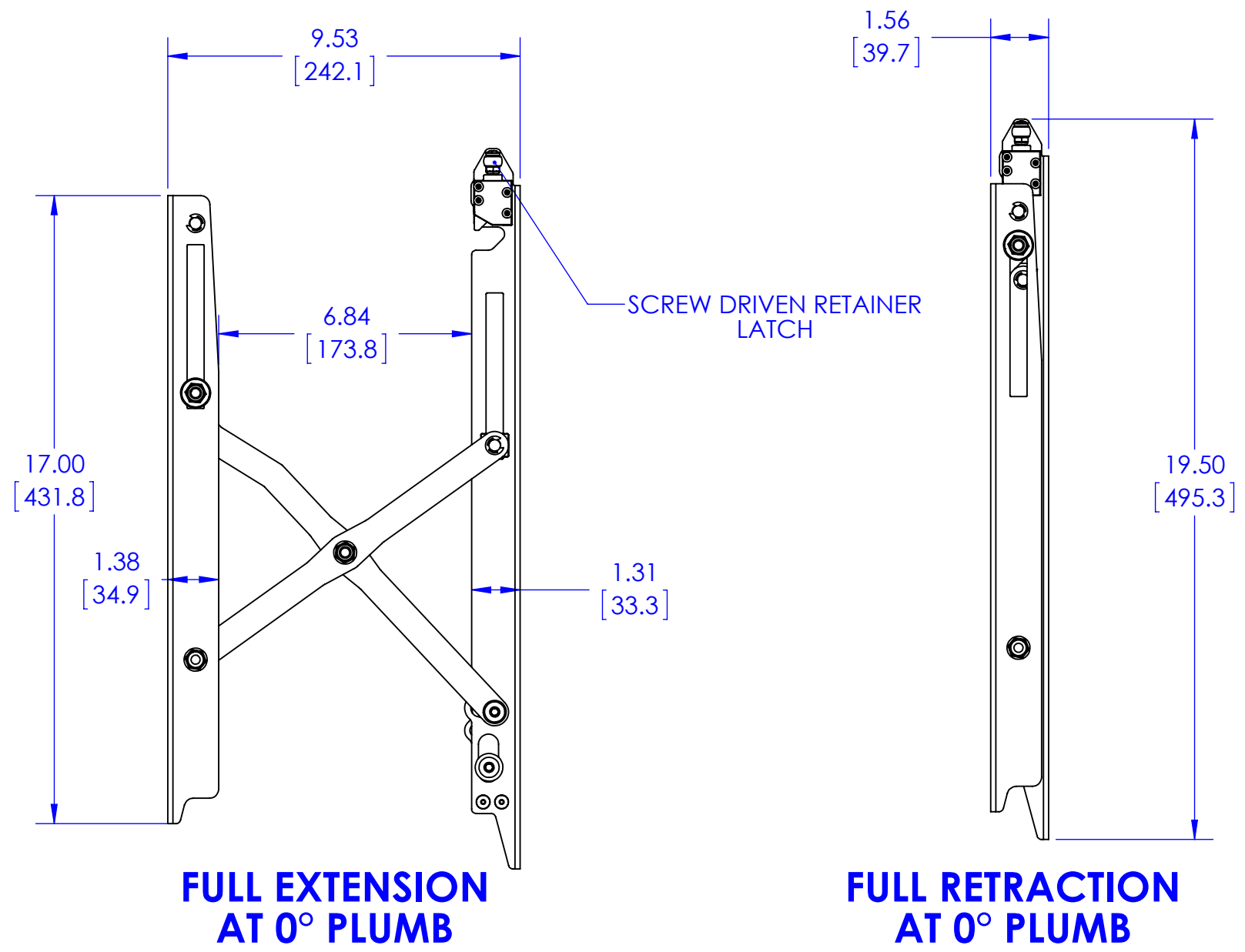
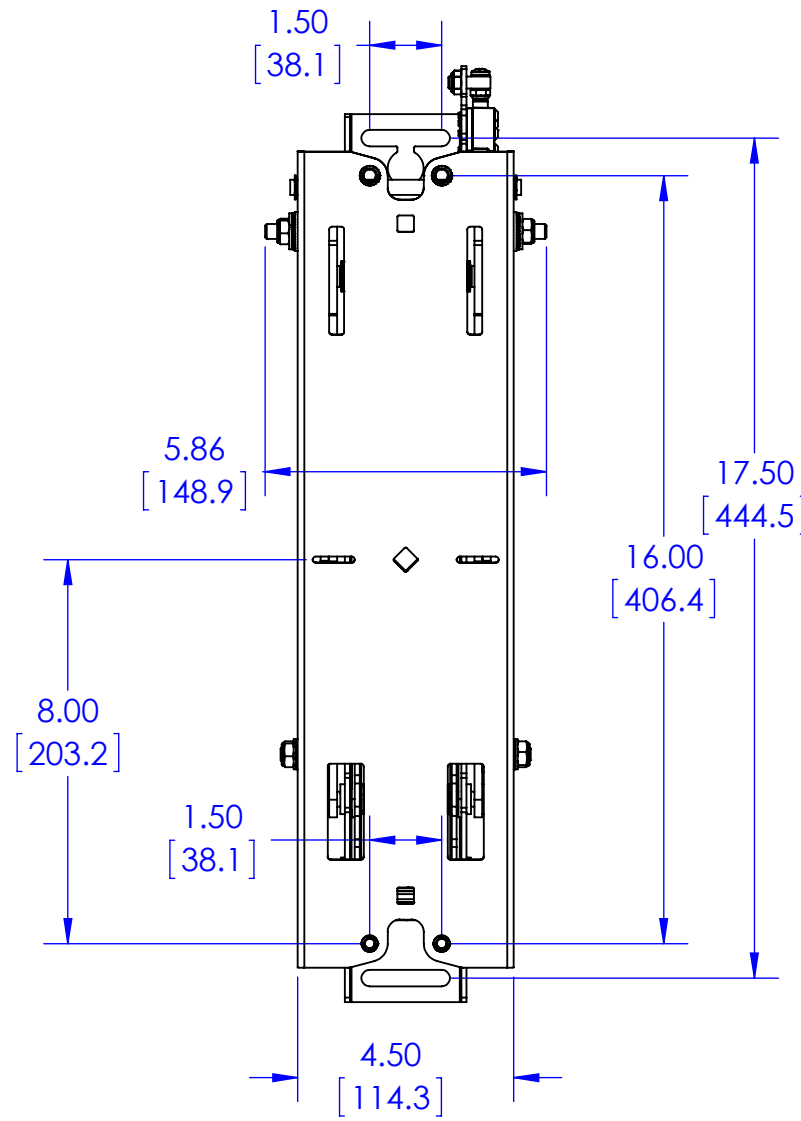
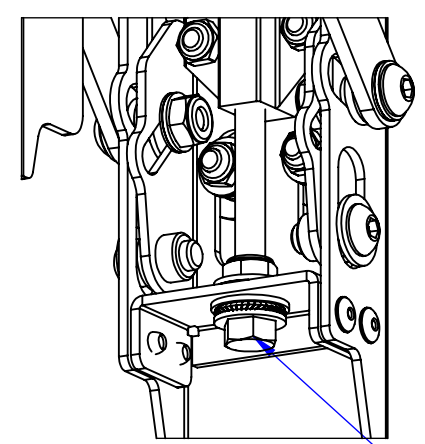
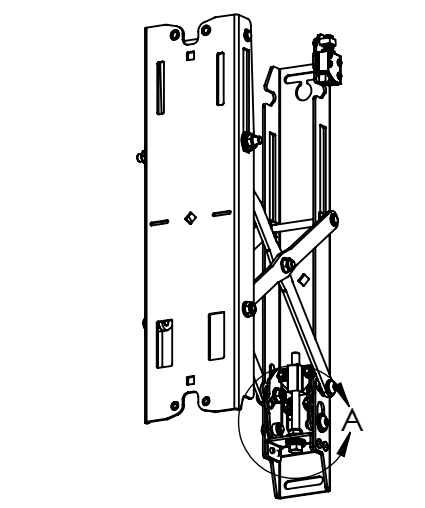
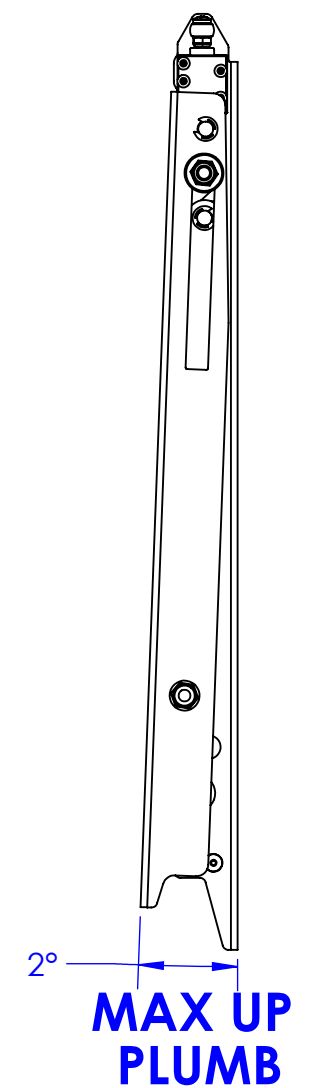
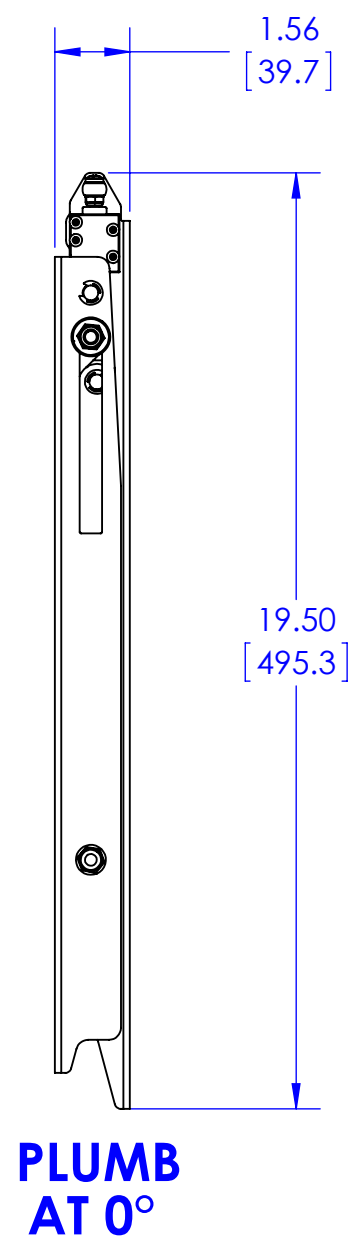
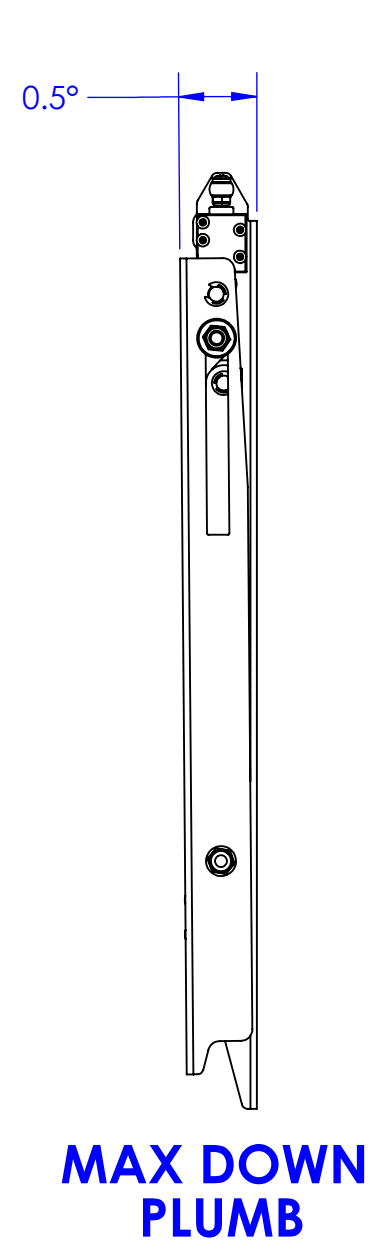


**FCAV1U INCLUDES TWO ASSEMBLIES**



THE INFORMATION AND DESIGNS CONTAINED IN THIS DRAWING ARE CONFIDENTIAL AND THE PROPRIETARY PROPERTY OF MILESTONE AV TECHNOLOGIES NEITHER THIS DESIGN NOR ANY INFORMATION CONTAINED IN THIS DRAWING MAY BE REPRODUCED OR DISCLOSED TO OTHERS WITHOUT THE EXPRESS WRITTEN CONSENT OF MILESTONE AV TECHNOLOGIES.

CAD GENERATED DRAWING, DO NOT MANUALLY UPDATE.			6436 CITY WEST PKWY EDEN PRAIRIE MN, 55344 PHONE: 866-977-3901 FAX: 877-894-6918		
DRAWN BY	JAB	7/22/2014			
ENG APPROVAL			DESCRIPTION <b>FUSION MOUNT PULLOUT ACCESSORY</b>		
MFG APPROVAL					
QA APPROVAL			MODEL NO. <b>FCAV1U</b>		
SHEET 1 OF 3		SCALE 1:8	SIZE B	DWG. NO. TECH-000708	REV. 00

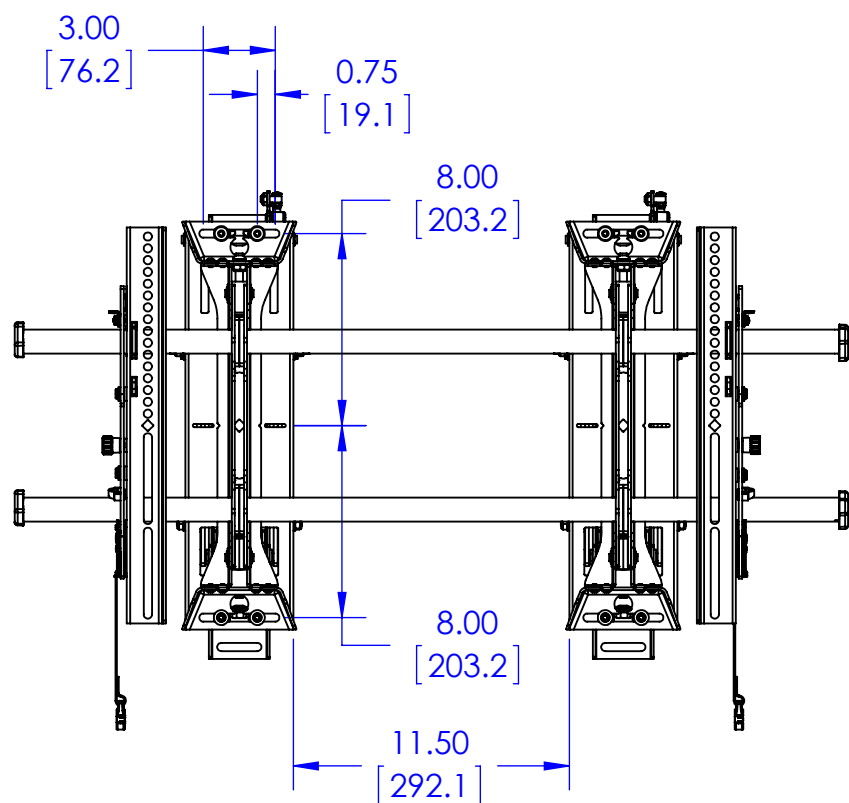


DETAIL A  
SCALE 1 : 2  
PLUMB ADJUST

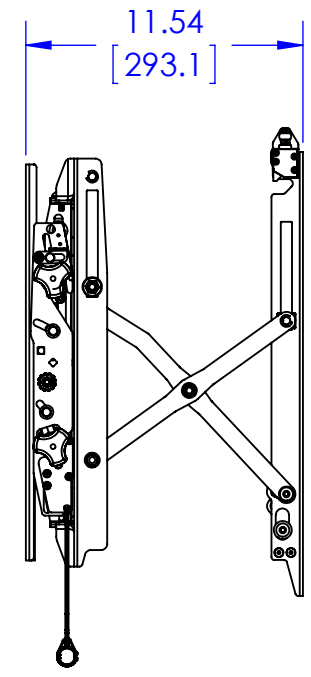
THE INFORMATION AND DESIGNS CONTAINED IN THIS DRAWING ARE CONFIDENTIAL AND THE PROPRIETARY PROPERTY OF MILESTONE AV TECHNOLOGIES NEITHER THIS DESIGN NOR ANY INFORMATION CONTAINED IN THIS DRAWING MAY BE REPRODUCED OR DISCLOSED TO OTHERS WITHOUT THE EXPRESS WRITTEN CONSENT OF MILESTONE AV TECHNOLOGIES.

CAD GENERATED DRAWING, DO NOT MANUALLY UPDATE.			<b>CHIEF</b> 6436 CITY WEST PKWY EDEN PRAIRIE MN, 55344 PHONE: 866-977-3901 FAX: 877-894-6918		
DRAWN BY	JAB	7/22/2014	DESCRIPTION <b>FUSION MOUNT PULLOUT ACCESSORY</b>		
ENG APPROVAL			MODEL NO. <b>FCAV1U</b>		
MFG APPROVAL			SIZE DWG. NO. <b>B TECH-000708</b>		
QA APPROVAL			REV. <b>00</b>		
SHEET 2 OF 3		SCALE <b>1:8</b>			

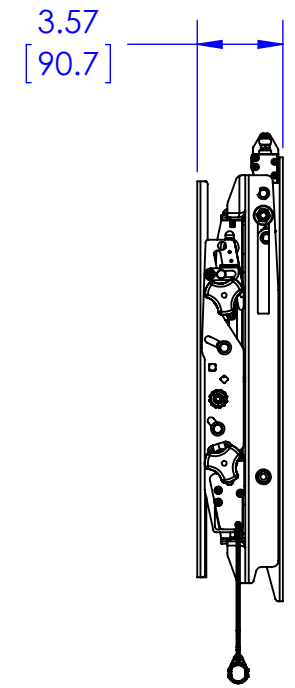
**SHOWN WITH LATERAL SHIFT  
ON CENTER**



**FULL EXTENSION  
AT 0° PLUMB  
WITH LTM1U  
(SOLD SEPARATELY)**



**FULL RETRACTION  
AT 0° PLUMB  
WITH LTM1U  
(SOLD SEPARATELY)**



**THE INFORMATION AND DESIGNS CONTAINED IN THIS DRAWING ARE CONFIDENTIAL AND THE PROPRIETARY PROPERTY OF MILESTONE AV TECHNOLOGIES NEITHER THIS DESIGN NOR ANY INFORMATION CONTAINED IN THIS DRAWING MAY BE REPRODUCED OR DISCLOSED TO OTHERS WITHOUT THE EXPRESS WRITTEN CONSENT OF MILESTONE AV TECHNOLOGIES.**

CAD GENERATED DRAWING, DO NOT MANUALLY UPDATE.			6436 CITY WEST PKWY EDEN PRAIRIE MN, 55344 PHONE: 866-977-3901 FAX: 877-894-6918		
DRAWN BY	JAB	7/22/2014			
ENG APPROVAL			DESCRIPTION <b>FUSION MOUNT PULLOUT                  ACCESSORY</b>		
MFG APPROVAL					
QA APPROVAL			MODEL NO. <b>FCAV1U</b>		
SHEET 3 OF 3		SCALE 1:8	SIZE B	DWG. NO. TECH-000708	REV. 00