

## Single Rail LCD Console (PS/2-USB, VGA)

CL1000 (CL1000M: 17" LCD; CL1000N: 19" LCD)

The CL1000 is a LCD KVM console that serves as the front-end for standard KVM switches. The CL1000 features an integrated 17" or 19" LED-backlit LCD panel, full keyboard, and touchpad in a 1U, rack-mountable, Slideaway™ housing.

Users who already have a switch can take advantage of the space saving and efficiency benefits of the CL1000 LCD KVM console without the unnecessary expense of having to purchase a KVM switch. This model provides convenient 'at the rack' console access to KVM switches already installed at your site.



Front View



Rear View

CL1000 (17")



CL1000 (19")



## Features

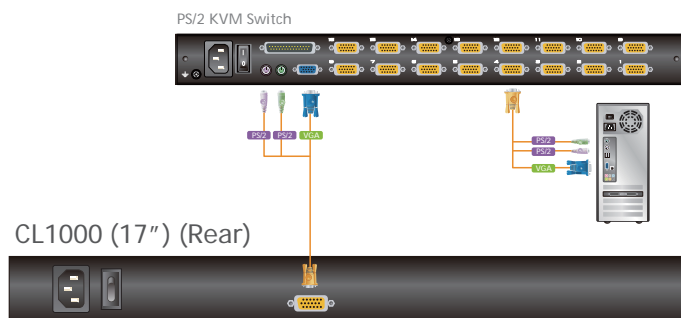
- Exclusive LED illumination light - designed by ATEN to illuminate the keyboard and touchpad to allow visibility in low-light conditions
- Integrated KVM console with 17" or 19" LED-backlit LCD monitor – in a sliding housing with top and bottom clearance for smooth operation in a 1U high system rack\*
- LCD module rotates up to 115 degrees for a more comfortable viewing angle
- Compatible with PS/2 or USB KVM switches when they are connected using custom KVM cables or converters
- Internal power supply
- Adjustable depth to fit within a rack
- High video resolution:
  - Supports input video resolutions up to 1920 x 1200 @ 60 Hz; and up to 1280 x 1024 @ 75 Hz with the built-in LCD screen
  - Supports DDC, DDC2, DDC2B
  - DDC emulation of the LCD monitor – Video settings of attached computers are automatically adjusted for optimal output to the LCD monitor
- Optional rack mount kits available including easy installation options

\*Compatible rack mounting kit:

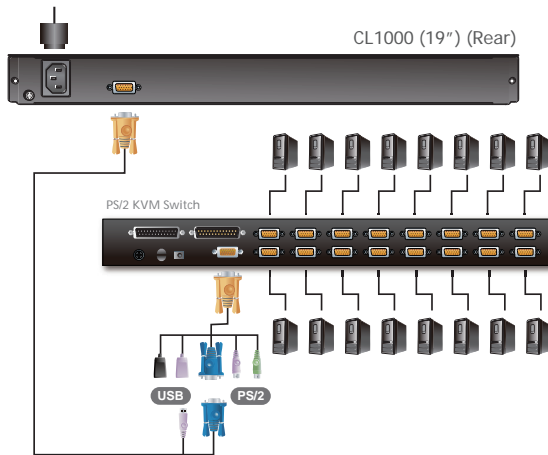
CL1000M: 2X-010G, 2K-0003, 2K-0004

CL1000N: 2X-023G, 2K-0003, 2K-0004

## Diagram



Standard Rack Mount Kit	Depth (cm)
Standard (Short )	42 – 72
2X-010G (Long / Optional)	68 – 100
Easy Installation Rack Mount Kit	Depth (cm)
2K-0003 (Short / Optional)	57 – 70
2K-0004 (Long / Optional)	68 – 105



Standard Rack Mount Kit	Depth (cm)
Standard (Short)	52 – 85
2X-023G (Long / Optional)	70 – 105

Easy Installation Rack Mount Kit	Depth (cm)
2K-0003 (Short / Optional)	57 – 70
2K-0004 (Long / Optional)	68 – 105

## Specifications

	CL1000M	CL1000N
<b>Computer Connections</b>		
Direct	1	1
<b>Connectors</b>		
KVM Ports	1 x SPHD Female (Yellow)	1 x SPHD Female (Yellow)
Power	1 x IEC 60320/C14	1 x IEC 60320/C14
<b>Switches</b>		
Reset	1 x Semi-recessed Pushbutton	1 x Semi-recessed Pushbutton
Power	1 x Rocker Switch	N/A
LCD Control	4 x Pushbutton	4 x Pushbutton
LCD Power	N/A	1 x LED Pushbutton
<b>LEDs</b>		
Power	1 x KVM Console (Dark Green); 1 x LCD (Orange)	1 x KVM Console (Dark Green); 1 x LCD (Orange)
Lock	1 x Num Lock (Green); 1 x Caps Lock (Green); 1 x Scroll Lock (Green)	1 x Num Lock (Green); 1 x Caps Lock (Green); 1 x Scroll Lock (Green)
LED Illumination Light	1 x LED Illumination Light	1 x LED Illumination Light
<b>Panel Spec</b>		
LCD Module	17" TFT-LCD	19" TFT-LCD
Resolution	1280 x 1024 @ 75 Hz	1280 x 1024 @ 75 Hz
Response time	5 ms	5 ms
Viewing Angle	170° (H), 160° (V)	170° (H), 160° (V)
Pixel Pitch	0.264 mm x 0.264 mm	0.294 mm x 0.294 mm
Support Color	16.7 M colors	16.7 M colors
Contrast Ratio	1000:01:00	1000:01:00
Luminance	250 cd/m <sup>2</sup>	250 cd/m <sup>2</sup>
<b>Video</b>		
Input Video Resolution	up to 1920 x 1200 @ 60Hz; 1280 x 1024 @ 75 Hz, DDC2B	up to 1920 x 1200 @ 60Hz; 1280 x 1024 @ 75 Hz, DDC2B
<b>Emulation</b>		
Keyboard / Mouse	PS/2, USB (via 2L-520xUP cables)	PS/2, USB (via 2L-520xUP cables)
Maximum Input Power Rating	100-240 V AC; 50-60 Hz; 1A	100-240 V AC; 50-60 Hz; 1A
Power Consumption	AC110V:19.6W; AC220V:21.3W	AC110V:29.2W; AC220V:29.3W
<b>Environmental</b>		
Operating Temperature	0-50°C	0-50°C
Storage Temperature	-20-60°C	-20-60°C
Humidity	0-80% RH, Non-condensing	0-80% RH, Non-condensing
<b>Physical Properties</b>		
Housing	Metal and Plastic	Metal and Plastic
Rail Type	Single Rail	Single Rail
Weight	12.02 kg	11.06 kg
Dimensions (L x W x H)	48.00 x 53.83 x 4.40 cm	48.30 x 58.52 x 4.40 cm

### ATEN International Co., Ltd.

3F., No.125, Sec. 2, Datung Rd., Sijhih District., New Taipei City 221, Taiwan  
 Phone: 886-2-8692-6789 Fax: 886-2-8692-6767  
 www.aten.com E-mail: marketing@aten.com

Product information is subject to change without prior notice.

Released: 08/2021 V9.0

© Copyright 2021 ATEN® International Co. Ltd.  
 ATEN and the ATEN logo are registered trademarks of ATEN International Co., Ltd.  
 All rights reserved. All other trademarks are the property of their respective owners.

