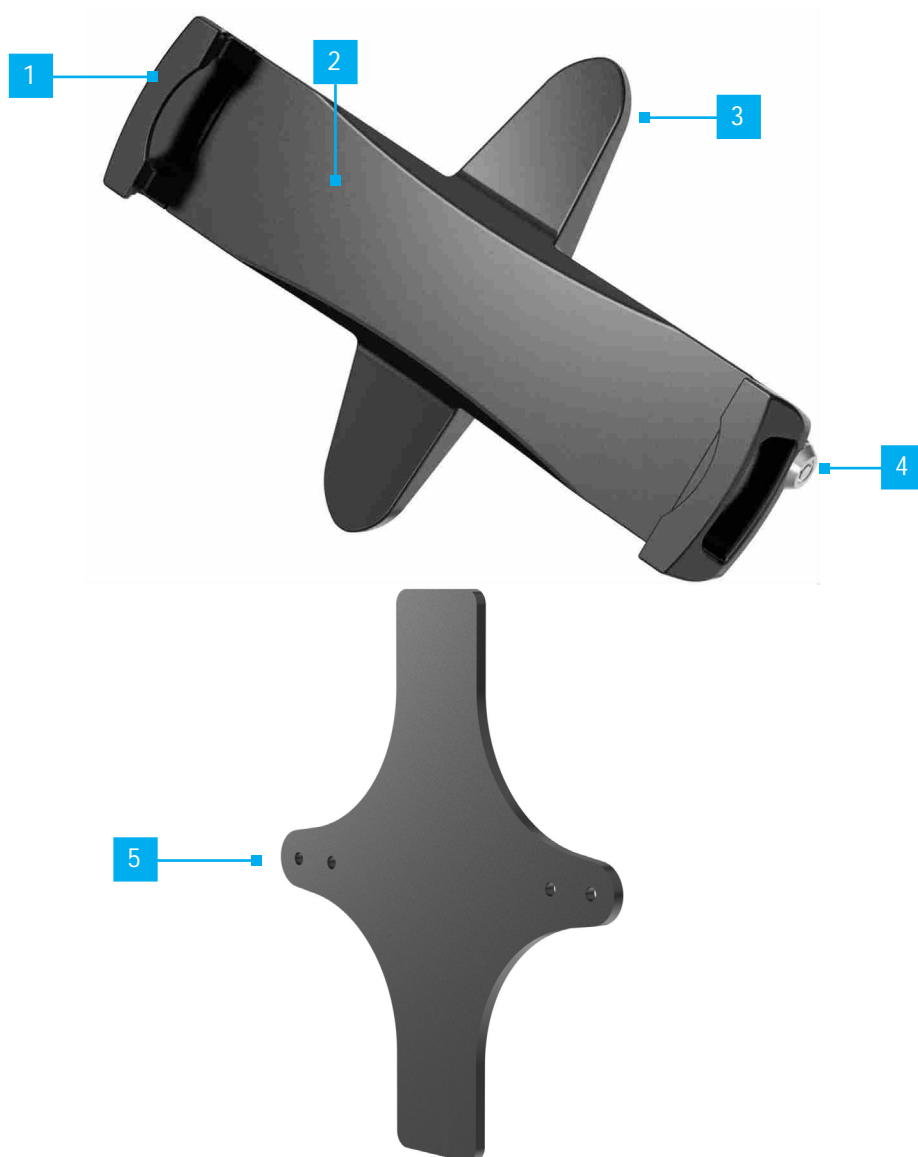


Tablet Mount Adapter – 7.9-12.5" – VESA Compatible (75x75/100x100)

Product Diagram (TABLET-VESA-ADAPTER)



Component	Function
1 Clamp	• Attach the Tablet to the Tablet Mount Adapter
2 Body	• Frame of the Tablet Mount Adapter
3 VESA Bracket	• Attach the Tablet Mount Adapter to a compatible VESA Mount
4 Lock	• Prevents opening the Tablet Mount Adapter to remove the tablet
5 Weighted Plate	• Adds additional weight for Monitor Mounts that have a minimal weight capacity

Package Contents

- Tablet Holder x 1 (0.47 lb / 215 g)
- Weighted Plate x 1 (0.77 lb / 350 g)
- Keys x 2
- Star Bit Tool x 1
- M4x8 Tamper Resistant Screws x 4
- M4x10 Tamper Resistant Screws x 4
- Washers x 4
- Quick-start Guide x 1

Requirements

For the latest manuals, product information, technical specifications, and declarations of conformance, please visit: www.startech.com/TABLET-VESA-ADAPTER

- Monitor Mount with a VESA 75x75 or 100x100 patterns
- A tablet with a display size from 7.9 in to 12.5 in diagonally

Installation

WARNINGS!

*Do not exceed the weight capacity of this product. Overloading this product might result in injury or property damage. This product can support the following weight: up to **4.4 lbs (2 kg)**.*

*Ensure the **Tablet** has been properly secured before use and/or adjustment.*

Attach the Tablet Mount Adapter to a Monitor Mount

The **VESA Bracket** is compatible with VESA patterns 75x75 and 100x100 mm.

Certain **Spring-Assisted Monitor Mounts** require a minimum weight to counterbalance the spring mechanism, if this is being used with one of those mounts, follow the appropriate step below.

Non-Spring Assisted Monitor Mounts

1. Place the **Washers** (x 4) on the **M4x8 Tamper Resistant Screws**.
2. Align the holes located on the **VESA Bracket**, with the holes, located on the **Monitor Mount**.
3. Insert the **M4x8 Tamper Resistant Screws** (x 4) through the **Monitor Mount** and into the and **VESA Bracket**, tighten using the **Star Bit Tool**.

Spring-Assisted Monitor Mounts

1. Place the **Washers** (x 4) on the **M4x8 Tamper Resistant Screws**.
2. Gently place the **Weighted Plate** over the **VESA Bracket** and ensure the holes located on the **Weighted Plate**, are aligned with the holes located on the **VESA Bracket**.
3. Align the holes located on the **VESA Bracket** and **Weighted Plate**, with the holes, located on the **Monitor Mount**.
4. Insert the **M4x10 Tamper Resistant Screws** (x 4) through the **Monitor Mount** and into the **Weighted Plate** and **VESA Bracket**, tighten using the **Star Bit Tool**.

Attach a Tablet to the Tablet Mount Adapter

1. Slide the **Clamp** outwards to accommodate the **Tablet** diagonally.
2. Insert the opposite corners of the **Tablet** in the **Clamp**.
3. Secure the **Clamp**, using the **Lock** and **Key**.

Use of Trademarks, Registered Trademarks, and other Protected Names and Symbols

This manual may make reference to trademarks, registered trademarks, and other protected names and/or symbols of third-party companies not related in any way to StarTech.com. Where they occur these references are for illustrative purposes only and do not represent an endorsement of a product or service by StarTech.com, or an endorsement of the product(s) to which this manual applies by the third-party company in question. StarTech.com hereby acknowledges that all trademarks, registered trademarks, service marks, and other protected names and/or symbols contained in this manual and related documents are the property of their respective holders.

Warranty Information

This product is backed by a 5-year warranty.

For further information on product warranty terms and conditions, please refer to www.startech.com/warranty.

Limitation of Liability

In no event shall the liability of StarTech.com Ltd. and StarTech.com USA LLP (or their officers, directors, employees or agents) for any damages (whether direct or indirect, special, punitive, incidental, consequential, or otherwise), loss of profits, loss of business, or any pecuniary loss, arising out of or related to the use of the product exceed the actual price paid for the product. Some states do not allow the exclusion or limitation of incidental or consequential damages. If such laws apply, the limitations or exclusions contained in this statement may not apply to you.

StarTech.com Ltd.
45 Artisans Crescent
London, Ontario
N5V 5E9
Canada

StarTech.com LLP
4490 South Hamilton
Road
Groveport, Ohio
43125
U.S.A.

StarTech.com Ltd.
Unit B, Pinnacle 15
Gowerton Road
Brackmills,
Northampton
NN4 7BW
United Kingdom

StarTech.com Ltd.
Siriusdreef 17-27
2132 WT Hoofddorp
The Netherlands

FR: startech.com/fr
DE: startech.com/de
ES: startech.com/es
NL: startech.com/nl
IT: startech.com/it
JP: startech.com/jp