

Zoom lens

**Description**

This zoom lens is designed for use with a Panasonic's applicable projector. The lens makes it possible to vary the projection distance by changing the focal distance.

**NOTE:** Please use the lens only on the specified Panasonic projectors.

**Specifications**

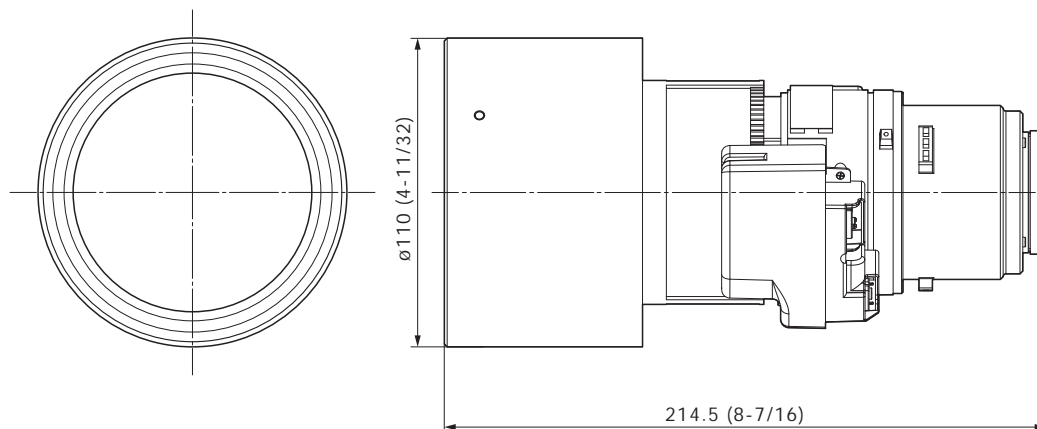
F value:	1.7–2.3
Focal distance (f):	56.41 mm–101.66 mm
Throw ratio:	WUXGA 4.02 - 7.28:1 for PT-EZ590 (16:10 aspect ratio) WXGA 4.02 - 7.28:1 for PT-EW650/EW550 (16:10 aspect ratio) XGA 4.34 - 7.86:1 for PT-EX620/EX520 (4:3 aspect ratio)
Dimensions (W × H × D):	110 × 110 × 214.5*1mm (4-11/32 × 4-11/32 × 8-7/16*1inches)
Weight:	Approx. 1.55 kg*2(3.4 lbs*2)
Applicable projector:	PT-EZ590 series: PT-EZ590/EW650/EW550/EX620

\*1 At maximum length.

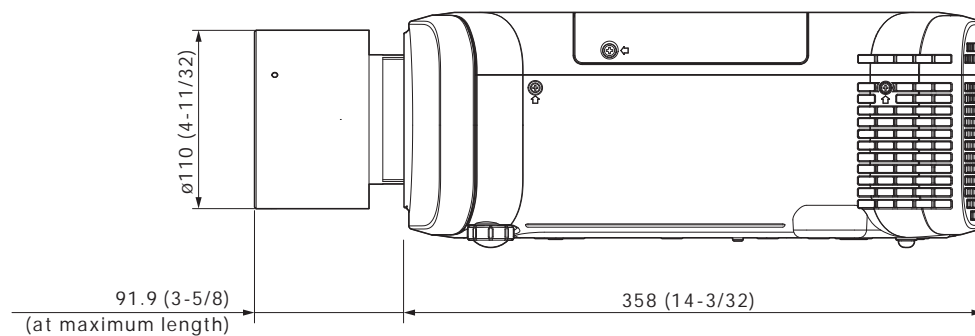
\*2 Average value. May differ depending on the actual unit.

The throw ratio is an approximate value calculated by dividing the screen width by the projection distance.

**Dimensions**



The illustration shows the lens attached to the projector.



**NOTE:** Please read the projector's instruction manual for throw distances.

Weights and dimensions shown are approximate. Specifications subject to change without notice.

unit : mm (inch)

**NOTE:** This illustration is not drawn to scale.