

GAMMIX S50 CORE PCIe Gen4 x4 M.2 2280 SSD

# Upgrade Your Game



## XPG GAMMIX S50 CORE PCIe Gen4 x4 M.2 2280 Solid State Drive

The GAMMIX S50 CORE SSD features a PCIe Gen4 interface, reaches speeds of 3,500/2,800MB per second, supports the latest Intel and AMD platforms, and offers a generous 2000GB capacity. This SSD is a cost-effective choice for all gamers.

### Features

- R/W speed up to 3,500/2,800MB/s
- Ultra-fast PCIe Gen4 x4 interface
- Compliant with NVMe 1.4
- Capacity up to 2000GB
- SLC Caching and host memory buffer
- Advanced LDPC ECC Technology
- Pyrite encryption support
- Value-added software: SSD Toolbox

### Ordering Information

Capacity	Model Number	EAC Code / UPC Code
<b>500GB</b>	SGAMMIXS50C-500G-CS	4711085947673
		842243033359
<b>1000GB</b>	SGAMMIXS50C-1000G-CS	4711085947680
		842243033366
<b>2000GB</b>	SGAMMIXS50C-2000G-CS	4711085947697
		842243033373



## Specifications

- Capacities: 500GB / 1000GB / 2000GB
- NAND Flash: 3D NAND
- Interface: PCIe Gen4 x4
- Form Factor: M.2 2280
- Sequential read/write (Max.):  
Up to 3,500/2,800MB/s (PC/laptop)
- Operating Temperature: 0°C~70°C
- Storage Temperature: -40°C~85°C
- Terabytes Written (TBW)(Max. capacity): 1,200TB
- MTBF: 1,500,000 hours
- Weight:  
10.3g / 0.36oz (with heat sink),  
6.3g / 0.22oz (without heat sink)
- Dimensions (L x W x T):  
80 x 22 x 2.65mm (with heat sink),  
80 x 22 x 2.15mm (without heat sink)
- Shock Resistance: 1500G/0.5ms
- Warranty: 3-year limited
- Certifications: CE, FCC, BSMI, KC, Morocco, EAC, RCM, UKCA, RoHS

## Performance

Capacity	Sequential Performance (Up to) <sup>1</sup>		TBW <sup>2</sup>
	Read (MB/s)	Write (MB/s)	
500GB	3,500	2,200	300TB
1000GB	3,500	2,200	600TB
2000GB	3,500	2,800	1,200TB

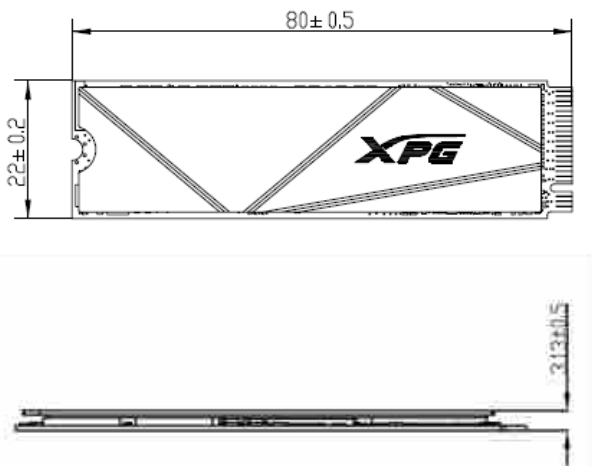
<sup>1</sup> M/B: GIGABYTE X570 AORUS ELITE WIFI , CPU: AMD Ryzen 7 3700X 8 Core Processor 3.59GHz, BIOS Ver: F11, RAM: DDR4 8GB\*2 2666MHz, OS Ver: Windows 10 / 21H1

<sup>2</sup> The value is the minimum amount of terabyte written that could be reached.

<sup>3</sup> Performance may vary based on SSD capacity, hardware test platform, test software, operating system and other system variables

## Schematics

<With heat sink>



<Without heat sink>

