

SpacePole Digital Signage

It's time to see the bigger picture

Hook & Rail Solutions

The SPDS2000-series Hook & Rail System has been optimised for the Retail, QSR, Hospitality and Entertainment markets and can be configured to meet your requirements for digital menu boards and other ceiling and wall mounted applications.



Compatibility

Displays with VESA 100, 200, 300 or 400.

Features

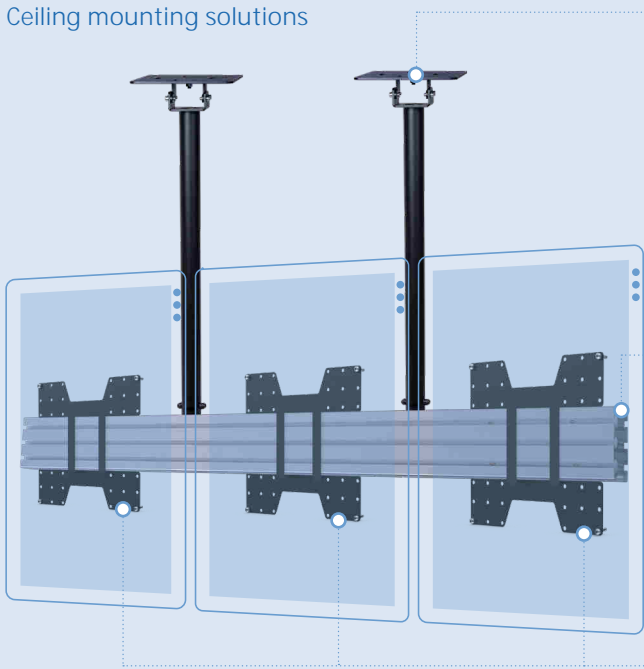
- **Comprehensive:** supports a choice of screen sizes from 22" to 55", in portrait and landscape, with tilt and screen height adjustment for better visibility, depending on ceiling height
- **Configurable:** use single or multiple screens, wall or ceiling mounted, single-sided or back-to-back
- **Modular:** mix and match from a range of components for your unique installation
- **Designed and manufactured in Denmark:** with added focus on simplicity, quality and sustainability, as well as shorter lead times
- **Easy installation and maintenance:** modular solution design, featuring hook-on screen brackets and a quick release option

Benefits

- **Create solutions that are perfectly suited to the tasks in hand:** create it your way!
- **Freedom to install:** how and where required
- **Create limitless configurations:** allowing easy and cost effective upgrades of technology or applications
- **Sustainability:** the product range is designed and manufactured in line with our core value to respect the planet
- **Cost effective installation:** saves time and money

Hook & Rail Solutions

Ceiling mounting solutions



Ceiling Pole

- Height adjustment: 1000 to 1500mm (20 fixed positions)
- Rotation of pole: 60 degrees
- Tilting of ceiling mount: 20 degrees
- Key holes for easy screen mounting

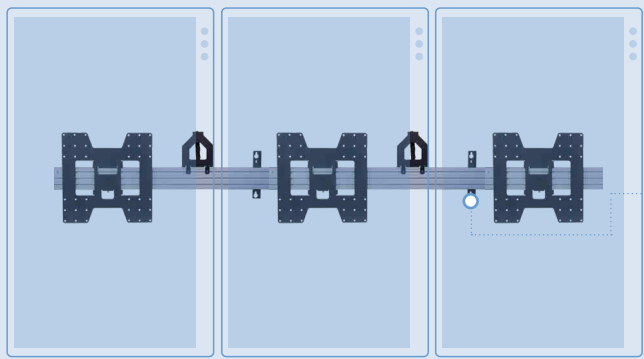
Rails

- Standard tracks for mounting VESA brackets, ceiling poles, wall brackets and accessories directly to the rail
- Option to connect multiple pieces of rail to each other
- Lightweight

Brackets

- Hook-on design for easy installation and maintenance
- Fixing to ensure screen stays fixed to the rail / ceiling pole
- SPDS2104 / SPDS2119: Tilting in fixed increments: 0, 5, 10, 15 degrees
- SPDS2104 / SPDS2119: Handscrew for easy set-up of tilting angle

Wall mounting solutions



Wall rail bracket

- Enables wall mounted installation
- Key holes for easy wall installation
- SPDS2110: Off-set bracket to allow for screen tilting
- Tilting options with SPDS2110:
 - Landscape: < 55": 0-15° tilt. 55": 0-10° tilt
 - Portrait: < 43": 0-15° tilt. 43": 0-10° tilt. 50" to 55": 0-5° tilt



Telescopic ceiling pole
(1000-1500mm) (SPDS2100)



1100mm Rail
(SPDS2102)



800mm Rail
(SPDS2118)



480mm Rail
(SPDS2101)

Non-tilt



VESA 200 bracket
(SPDS2121)

Tilt



VESA 200 bracket
(SPDS2104)

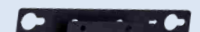


VESA 200/300/400 bracket
(SPDS2122)



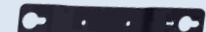
VESA 200/300/400 bracket
(SPDS2119)

Tilt



Rail wall bracket (SPDS2110)

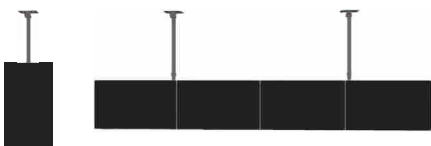
Non-tilt



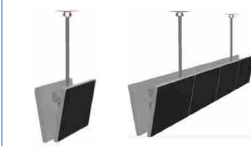
Rail wall bracket (SPDS2111)

Example setups – for portrait and landscape screen(s)

Single-sided ceiling solutions



Back-to-back ceiling solutions



Wall mounting multi-screen solutions



Hook & Rail Accessories

Our main accessories

Back-to-back bracket

- Enables back-to-back ceiling installation
- 4x screw mounting to the SpacePole Telescopic ceiling pole
- Key holes for easy mounting of screen



Back-to-back bracket
(SPDS2109)

Universal mount for media player

- Universal mount for securely mounting media players
- Fits multiple sizes of media player
- Easy installation directly on rail



Universal mount for media player
(SPDS2115)

Quick release plunger

- Enables quick release of a single screen
- Replaces the security screw at the bottom of the VESA bracket
- Pulling the quick release ensures the screen can be removed without any use of tools for easy maintenance



Quick release plunger
(SPDS2120)

Adapters

- Cost effective mounting option for single screen ceiling configurations (one-sided or back-to-back)



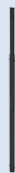
VESA 100 to 200 adapter for ceiling pole
(SPDS2107)



VESA 100 to 200/300/400 adapter for ceiling pole
(SPDS2117)

Extension pole

- Ideally for ceiling installation with a suspended ceiling or a very high fixed ceiling
- Allows for extension of the Hook & Rail Ceiling pole SPDS2100
- Fixed extension length of 1450 mm
- Maximum 2 x SPDS2123 can be combined



(SPDS2123)

Single screen wall mounts

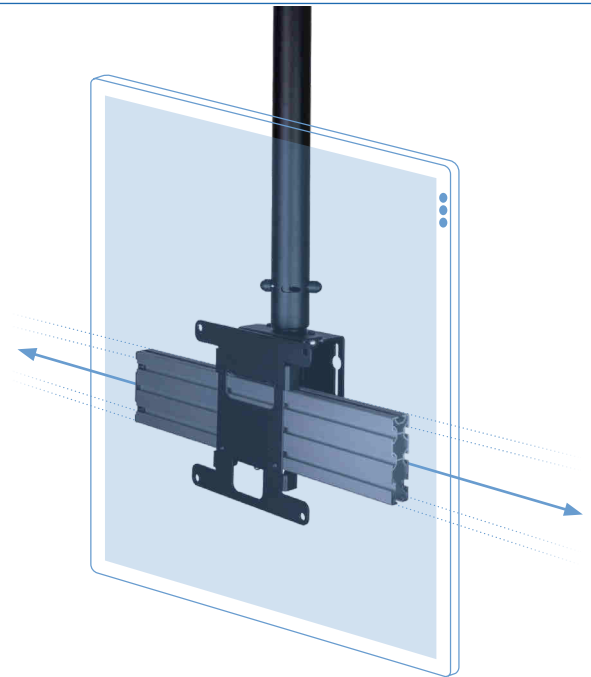
- Allows for VESA 200/300/400 compliant screens to be wall mounted (requires VESA brackets)
- SPDS2124 compatible with SPDS2104/SPDS2119
- SPDS2125 compatible with SPDS2121/SPDS2122
- SPDS2124: off-set bracket to allow for screen tilting

Tilting options with SPDS2124:

- Landscape: < 55°: 0-15° tilt. 55°: 0-10° tilt

- Portrait: < 43°: 0-15° tilt. 43°: 0-10° tilt. 50° to 55°: 0-5° tilt

- Compatible with Quick release plunger SPDS2120



More accessories

Cable management clip

- Enables neat and secure cable management
- Easy clip-on solution



Cable management clip
(SPDS2114)

Rail endcaps (x2)

- Mounts on the ends of the rail (1 set per solution single sided or 2 sets per solution back-to-back)
- Ensures screen brackets cannot be pushed over the edge of the rail by accident



Rail end cap
(SPDS2113)

Rail connector kit

- Enables two pieces of rail to be connected



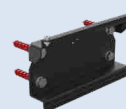
Rail connector kit
(SPDS2112)

Rail connector nut

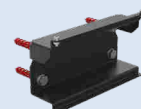
- Enables rail to be fixed to ceiling pole
- Easy insertion into rail track



Rail connector nuts
(SPDS2116)



(SPDS2125)



(SPDS2124)

Technical specifications

Product and configurations	Mounting	Product dimensions and weight	Packaging dimensions and weight	Material	Installation guide
Telescopic Ceiling pole [1,4,6,9] (1000-1500mm)(SPDS2100)	VESA 100: Directly on the pole VESA 200/300/400: Utilising adapters or brackets for Hook & Rail. Portrait and landscape supported	Fully compressed: 1075mm Fully extended: 1575mm 6.28 kg / 13.84 lbs	BO19: L:271xW:75xH:260mm / L:10.7xW:3.0xH:10.2in BO15: L:189xW:124xH:1080mm/L:7.44xW:4.88xH:42.52in 7.30 kg / 16.09 lbs	Metal	MK15-0353
Rails [2,5,7] 480mm Rail (SPDS2101) 800mm Rail (SPDS2118) 1100mm Rail (SPDS2102)	N/A	SPDS2101: L:480xW:30xH:100 1.06 kg / 2.34 lbs SPDS2118: L:800xW:30xH:100 1.77 kg / 3.90 lbs SPDS2102: L:1100xW:30xH:100 2.43 kg / 5.36 lbs	SPDS2101: Box L:600xW:130xH:130mm / L:23.6xW:5.1xH:5.1in 1.29 kg / 2.84 lbs (Pallet capacity 105 items) SPDS2118: Box L:1200xW:130xH:130mm / L:47.2xW:5.1xH:5.1in 2.27 kg / 5.00 lbs (Pallet capacity 72 items) SPDS2102: Box L:1200xW:130xH:130mm/L:47.2xW:5.1xH:5.1in 2.93 kg / 6.46 lbs (Pallet capacity 72 items)	Extruded aluminium	MK15-0354
Brackets [2,4] VESA 200 bracket non-tilt (SPDS2121) VESA 200 bracket w. tilt (SPDS2104) VESA 200/300/400 bracket non-tilt (SPDS2122) VESA 200/300/400 bracket w. tilt (SPDS2119)	SPDS2121: VESA 200 SPDS2104: VESA 200 SPDS2122: VESA 200/300/400 SPDS2119: VESA 200/300/400 Portrait and landscape supported for all	SPDS2121: L:220xW:220xH:25 0.88 kg / 1.94 lbs SPDS2104: L:230xW:230xH:65 1.47 kg / 3.24 lbs SPDS2122: L:420xW:420xH:25 2.65 kg / 5.84 lbs SPDS2119: L:420xW:420xH:65 2.51 kg / 5.53 lbs	SPDS2121: Box L:271xW:75xH:260mm / L:10.7xW:3.0xH:10.2in 1.08 kg / 2.38 lbs SPDS2104: Box L:271xW:75xH:260mm / L:10.7xW:3.0xH:10.2in 1.67 kg / 3.68 lbs SPDS2122: Box L:435xW:435xH:90mm / L:17.1xW:17.1xH:3.5in 3.45 kg / 7.60 lbs SPDS2119: Box L:435xW:435xH:90mm / L:17.1xW:17.1xH:3.5in 3.31 kg / 7.29 lbs	Metal	MK15-0356
Adapters [1,4] VESA 100 to 200 adapter (SPDS2107) VESA 100 to 200/300/400 adapter for ceiling pole (SPDS2117)	SPDS2107: VESA 200 SPDS2117: VESA 200/300/400 Portrait and landscape supported for all	SPDS2107: L:228xW:228xH:2 0.89 kg / 1.96 lbs SPDS2117: L:430xW:430xH:2 2.39 kg / 5.27 lbs	SPDS2107: Box L:271xW:75xH:260mm / L:10.7xW:3.0xH:10.2in 1.09 kg / 2.40 lbs SPDS2117: Box L:435xW:435xH:90mm/L:17.1xW:17.1xH:3.5in 3.19 kg / 7.03 lbs	Metal	MK15-0359
Back-to-back bracket [1,4] (SPDS2109)	VESA 100: Directly on the bracket VESA 200/300/400: Utilising adapters or brackets for Hook & Rail Portrait and landscape supported for all	L:167xW:125xH:45 0.66 kg / 1.46 lbs	Box L:253xW:193xH:94mm / L:10.0xW:7.6xH:3.7in 0.84 kg / 1.85 lbs	Metal	MK15-0360
Rail wall brackets [3,4,10] Rail wall bracket for tilt (SPDS2110) Rail wall bracket non-tilting (SPDS2111)	VESA 100/200/300/400: Utilising rail and brackets for Hook & Rail Portrait and landscape supported for all	SPDS2110: L:230xW:35xH:24 0.40 kg / 0.88 lbs SPDS2111: L:250xW:45xH:8 0.32 kg / 0.71 lbs	SPDS2110: Box L:300xW:120xH:78mm / L:11.8xW:4.7xH:3.1in 0.50 kg / 1.10 lbs (Pallet capacity: 360 items) SPDS2111: Box L:300xW:120xH:78mm/L:11.8xW:4.7xH:3.1in 0.42 kg / 0.92 lbs (Pallet capacity: 360 items)	Metal	MK15-0362
Rail connector kit [2,7] (4 profile connectors) (SPDS2112)	N/A	L:180xW:15xH:7 (Set of 4) 0.16 kg / 0.35 lbs	Box L:300xW:120xH:78mm / L:11.8xW:4.7xH:3.1in 0.26 kg / 0.57 lbs (Pallet capacity 360 items)	Extruded aluminium	MK15-0354
Rail end caps [2,6] (x2) (SPDS2113)	N/A	L:100xW:30xH:14 (set of 2) 0.11 kg / 0.24 lbs	Box L:193xW:126xH:63mm / L:7.6xW:5.0xH:2.5in 0.28 kg / 0.61 lbs (Pallet capacity: 864 items)	Metal	N/A
Cable management clip [2,8] (SPDS2114)	N/A	L:19xW:19xH:16 0.01 kg / 0.02 lbs	Zipper bag L:100xW:150mm / L:3.9xW:5.9in 0.01 kg / 0.02 lbs (Bulk packed)	Plastic	N/A
Rail connector nut [1,7] (x4) (SPDS2116)	N/A	L:20xW:11xH:4 (set of 4) 0.02 kg / 0.04 lbs	Zipper bag L:100xW:150mm / L:3.9xW:5.9in 0.02 kg / 0.04 lbs (Bulk packed)	Extruded aluminium	N/A
Universal mount for media player [2,5] (SPDS2115)	N/A	L:200xW:150xH:35 0.34 kg / 0.75 lbs	Box L:253xW:193xH:94mm / L:10.0xW:7.6xH:3.7in 0.54 kg / 1.19 lbs (Pallet capacity 256 units)	Metal	MK15-0361
Quick release plunger [2] (SPDS2120)	N/A	L:15xW:15xH:27 0.02 kg / 0.04 lbs	Zipper bag L:100xW:150mm / L:3.9xW:5.9in 0.02 kg / 0.04 lbs (Bulk packed)	Metal	MK15-0365

All products come with a 5-year warranty

- [1] Mounting option: ceiling
[2] Mounting option: ceiling and wall
[3] Mounting option: wall
[4] Compatible hardware: display

- [5] Compatible hardware: media players
[6] Cable management: Yes (integrated)
[7] Cable management: Yes (SPDS2114)
[8] Cable management: Yes

- [9] Weight limit: 150 kg pr. ceiling pole
[10] Weight limit: 150 kg pr. wall bracket