



IDEAL FOR
 LG'S 110UM5J-B
 UHD DISPLAY

BT9921

SOFT-OPEN FULL SERVICE WALL MOUNT FOR XXL DISPLAYS



The BT9921 is a dual rail, pop-out wall mount solution designed for extra large signage displays such as the LG 110UM5J-B. Capable of supporting heavy loads, the BT9921 is ideal for recess mounting and features a soft opening for full service access, micro-adjustment for screen alignment and integrated cable management to help keep the finished installation tidy. Safety screws also help to prevent unauthorised removal of the screen.

SPECIFICATION

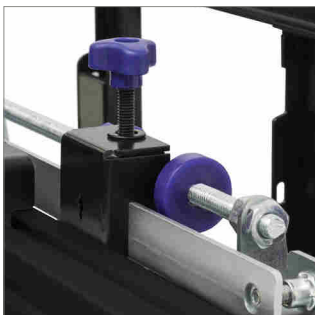
Recommended screen size	72" up to 120"
Max load	80kg
VESA® & non-VESA fixings	up to 1600 x 800
Flat to wall depth	115.3mm (+/-7.5mm with micro-adjustment)
Popped out depth	268.3mm (+/-7.5mm with micro-adjustment)
Tool-less micro-adjustment	+/-7.5mm per corner

FEATURES

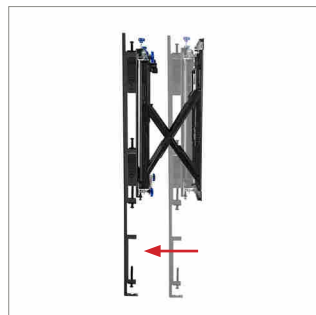
- Designed to wall mount extra-large signage displays such as LG's 110UM5J
- Universal design suitable for other standard screens over 72"
- Pop-out system with soft opening provides a safe and easy service access
- Ideal for recess mounting
- Tool-less micro-adjustment of +/-7.5mm
- Features depth, height and lateral micro-adjustment
- Keyhole fixings on wall plates for an easier installation
- Cable management clips (**BT8390-CMC**) are included to keep the installation tidy
- Safety screws help prevent unauthorised removal of screens
- Simple 'hook-on' installation
- All mounting hardware included



SYSTEM X™



Tool-less micro-adjustment of +/-7.5mm



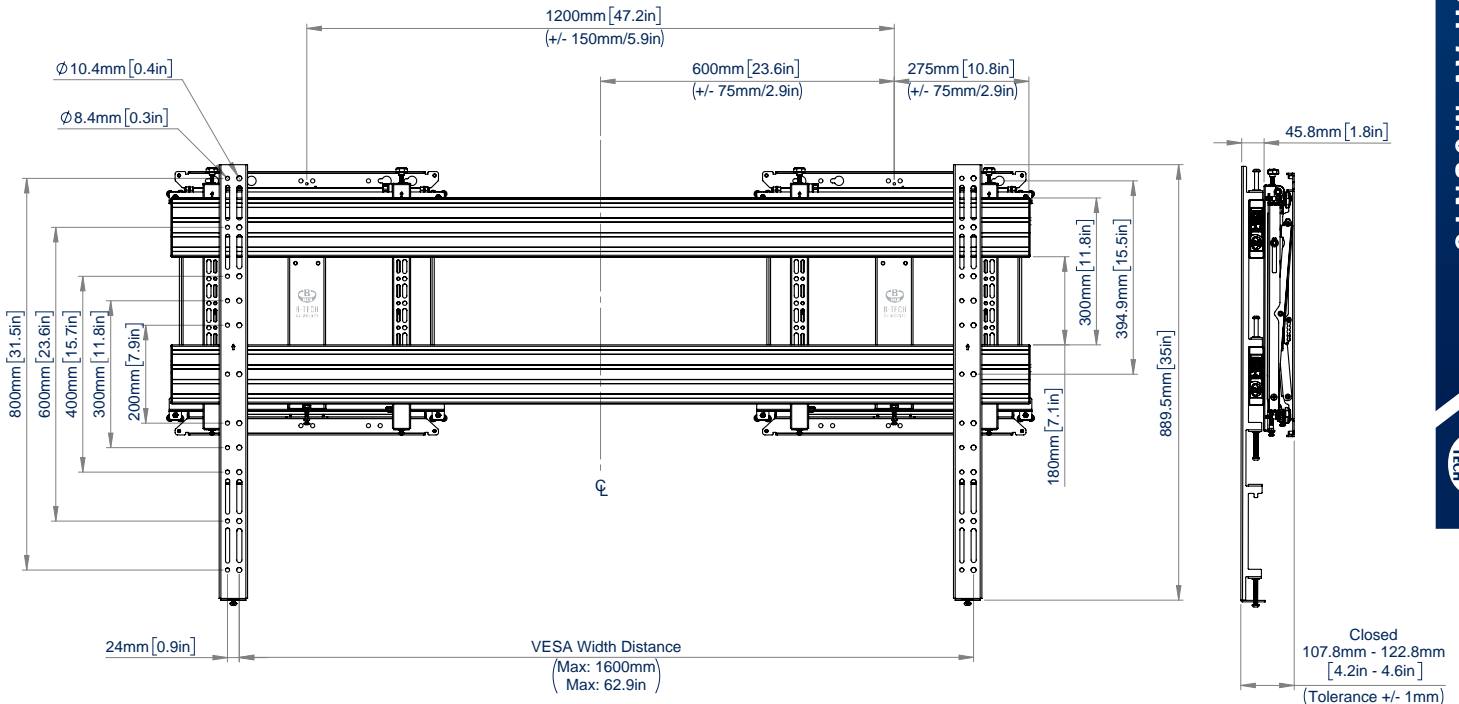
Pop-out system with soft opening provides a safe and easy service access.



Simple 'hook-on' installation.

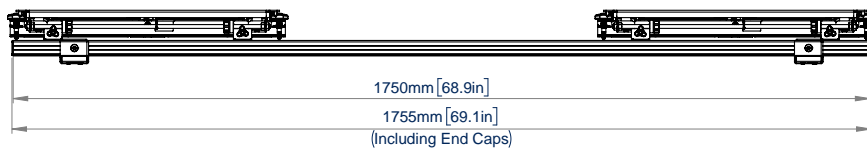


Cable management clips (**BT8390-CMC**) are included to keep the install tidy.

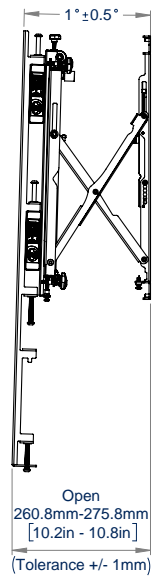


FRONT VIEW

SIDE VIEW



TOP VIEW



PACKING INFORMATION

PLEASE NOTE, THIS IS A MULTI-BOX BOX ITEM

COLOUR:	ORDER REF:	EAN CODE:
Black	BT9921/B	5019318306921

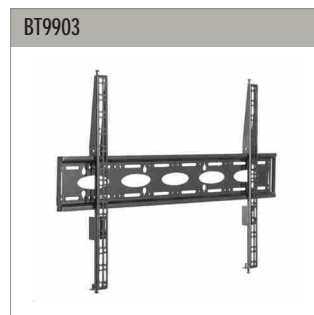
RELATED PRODUCTS



XXL Wall Mount for screens up to 120" and 200kg



XL Flat Screen Trolley suitable for displaying XL screens over 65".



XL Heavy Duty Flat Screen Wall Mount suitable for mounting XL screens over 65".



Heavy Duty Pop-Out Flat Screen Wall Mount suitable for mounting XL screens up to 120".

© 2015 B-Tech Mounts Ltd. All rights reserved.
 The information in this specification is for general information only. It is not intended to be used as a substitute for professional advice or design. B-Tech Mounts Ltd. is not responsible for any damage or loss resulting from the use of this information. B-Tech Mounts Ltd. is not responsible for any damage or loss resulting from the use of this information. B-Tech Mounts Ltd. is not responsible for any damage or loss resulting from the use of this information.