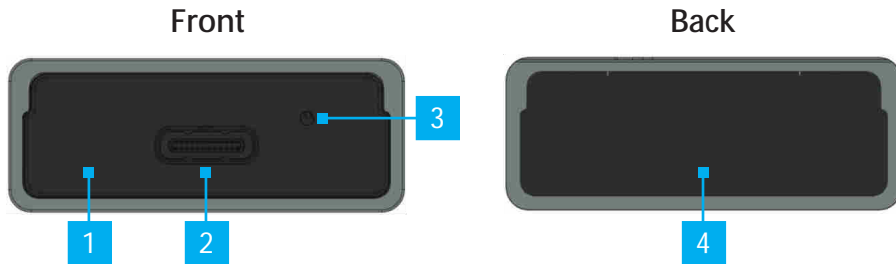


M.2 SATA/NVMe SSD Enclosure - Tool-less - USB 3.2 (10Gbps) w/ USB-C and USB-A Cables

Product ID

M2-USB-C-NVME-SATA

Product Diagram



Component	Function
1 Drive Tray Cover	• Enclosure component
2 USB-C Port	• Connect the Enclosure to the Host Computer
3 Power and Activity LED Indicator	• Solid Blue indicates the Enclosure is receiving power • Flashing Blue indicates Drive read/write activity
4 Drive Tray Release Tab	• Pull down to eject the Drive Tray

Package Contents

- M.2 SSD Enclosure x 1
- USB-C to USB-C Cable x 1
- USB-C to USB-A Cable x 1
- Thermal Pad x 1
- SSD Fastener Pegs x 2
- Quick-Start Guide

Product Information

For the latest product information, technical specifications, manuals, and Declarations of Conformance, please visit:

www.StarTech.com/M2-USB-C-NVME-SATA

Product Requirements

- SSD x 1
 - M-Key and B+M-Key PCI Express M.2 NVMe and M.2 SATA
 - 30 mm, 42 mm, 60 mm, or 80 mm Drive Length

Installation

Install a Drive

Warning! Handle **Drives** with care.

1. Pull the **Drive Tray Release Tab** down to eject the **Drive Tray**. (Figure 1)

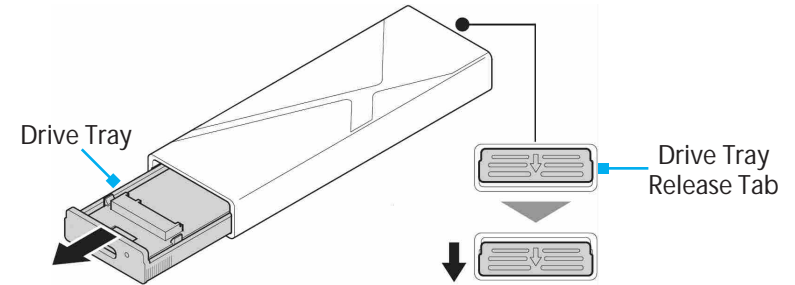


Figure 1

2. Carefully pull the **Drive Tray** out of the **Enclosure**.
3. Insert one **SSD Fastener Peg** into the **Drive Tray Hole** that corresponds with the length of the **Drive** and slide the **SSD Fastener Peg** into the **Notch**. (Figure 2)

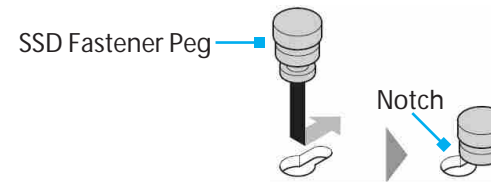


Figure 2

4. Gently slide the **Connector** on the **Drive** at a 30-degree angle into the corresponding **Drive Connector**, located on the **Drive Tray**. (Figure 3)
- Note:** The **Connector** on the **Drive** is keyed so that it only fits one way.
5. Pull the **SSD Fastener Peg** away from the **Drive**, lightly push the **Drive** down into position on the **Drive Tray**, and release the **SSD Fastener Peg**. (Figure 3)

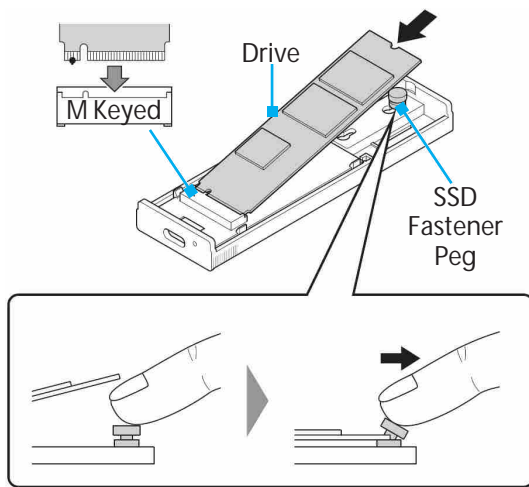


Figure 3

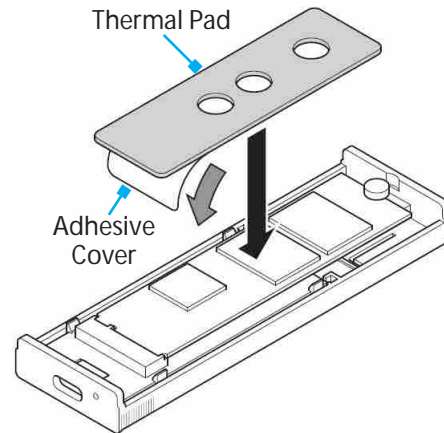


Figure 4

6. Peel the **Adhesive Cover** off of the **Thermal Pad**. (Figure 4)
7. Align the **Thermal Pad** over the **Drive**, ensuring the **SSD Fastener Peg** will fit through one of the holes in the **Thermal Pad**. (Figure 4)
8. Gently apply the **Thermal Pad** to the **Drive**. (Figure 4)
9. Slide the **Drive Tray** into the **Enclosure** until it clicks into place.

FCC Compliance Statement

This equipment has been tested and found to comply with the limits for a Class B digital device, pursuant to part 15 of the FCC Rules. These limits are designed to provide reasonable protection against harmful interference in a residential installation. This equipment generates, uses and can radiate radio frequency energy and, if not installed and used in accordance with the instructions, may cause harmful interference to radio communications. However, there is no guarantee that interference will not occur in a particular installation. If this equipment does cause harmful interference to radio or television reception, which can be determined by turning the equipment off and on, the user is encouraged to try to correct the interference by one or more of the following measures:

- Connect the equipment into an outlet on a circuit different from that to which the receiver is connected.
- Consult the dealer or an experienced radio/TV technician for help

This device complies with part 15 of the FCC Rules. Operation is subject to the following two conditions:

- (1) This device may not cause harmful interference, and (2) this device must accept any interference received, including interference that may cause undesired operation. Changes or modifications not expressly approved by StarTech.com could void the user's authority to operate the equipment.

Industry Canada Statement

This Class B digital apparatus complies with Canadian ICES-003.
Cet appareil numérique de la classe [B] est conforme à la norme NMB-003 du Canada.
CAN ICES-3 (B)/NMB-3(B)

This device complies with Industry Canada licence-exempt RSS standard(s). Operation is subject to the following two conditions:

- (1) This device may not cause interference, and (2) This device must accept any interference, including interference that may cause undesired operation of the device.

Le présent appareil est conforme aux CNR d'Industrie Canada applicables aux appareils radio exempts de licence. L'exploitation est autorisée aux deux conditions suivantes:

- (1) l'appareil ne doit pas produire de brouillage, et (2) l'utilisateur de l'appareil doit accepter tout brouillage radioélectrique subi, même si le brouillage est susceptible d'en compromettre le fonctionnement.

Use of Trademarks, Registered Trademarks, and other Protected Names and Symbols

This manual may make reference to trademarks, registered trademarks, and other protected names and/or symbols of third-party companies not related in any way to StarTech.com. Where they occur these references are for illustrative purposes only and do not represent an endorsement of a product or service by StarTech.com, or an endorsement of the product(s) to which this manual applies by the third-party company in question. StarTech.com hereby acknowledges that all trademarks, registered trademarks, service marks, and other protected names and/or symbols contained in this manual and related documents are the property of their respective holders.

Connect the Enclosure to a Computer

- Connect the **USB-C to USB-C Cable** or the **USB-C to USB-A Cable** to the **USB-C Port** on the **Enclosure** and to a **USB Port** on the **Computer**.

Once connected, the **Computer's** OS will automatically install the necessary software.

Note: The Enclosure does not require an external power supply, as it receives sufficient power from the Host Computer's USB Port.

Disconnect the Enclosure from a Computer

Windows PC

Warning! Ejecting the Drive before receiving a notification that it is safe to do so could result in lost or corrupted data.

1. In the **Notification** tray, click the **Safely Remove Hardware and Eject Media** icon.
2. Select the **Drive** connected to the **Enclosure**.
3. Once the **Safe to Remove Hardware** message appears, disconnect the **USB-C to USB-C Cable** or the **USB-C to USB-A Cable** from the **Enclosure** or the **USB Port** on the **Computer**.

macOS

Warning! Ejecting the Drive that is still visible in the Finder sidebar could result in lost or corrupted data.

1. Close any **Windows** that list the **Drive** contents.
2. Open the **Finder**.
3. Locate the **Drive** connected to the **Enclosure** in **Finder sidebar**.
4. Select the **Eject Icon** next to the **Drive**.
5. Once the **Drive** is no longer listed in the **Finder sidebar**, disconnect the **USB-C to USB-C Cable** or the **USB-C to USB-A Cable** from the **Enclosure** or the **USB Port** on the **Computer**.

Warranty Information

This product is backed by a two-year warranty.

For further information on product warranty terms and conditions, please refer to www.startech.com/warranty.

Limitation of Liability

In no event shall the liability of StarTech.com Ltd. and StarTech.com USA LLP (or their officers, directors, employees or agents) for any damages (whether direct or indirect, special, punitive, incidental, consequential, or otherwise), loss of profits, loss of business, or any pecuniary loss, arising out of or related to the use of the product exceed the actual price paid for the product. Some states do not allow the exclusion or limitation of incidental or consequential damages. If such laws apply, the limitations or exclusions contained in this statement may not apply to you.

Safety Measures

- If product has an exposed circuit board, do not touch the product under power.

Mesures de sécurité

- Si l'un des circuits imprimés du produit est visible, ne pas toucher le produit lorsqu'il est sous tension.

安全対策

- 製品に露出した状態の回路基盤が含まれる場合、電源が入っている状態で製品に触らないでください。

Misure di sicurezza

- Se il prodotto ha un circuito stampato visibile, non toccare il prodotto quando è acceso.

Säkerhetsåtgärder

- Rör aldrig vid enheter med oskyddade kretskort när strömmen är påslagen.

StarTech.com Ltd.
45 Artisans Crescent
London, Ontario
N5V 5E9
Canada

StarTech.com LLP
4490 South Hamilton
Road
Groveport, Ohio
43125
U.S.A.

StarTech.com Ltd.
Unit B, Pinnacle 15
Gowerton Road
Brackmills,
Northampton
NN4 7BW
United Kingdom

StarTech.com Ltd.
Siriusdreef 17-27
2132 WT Hoofddorp
The Netherlands

FR: startech.com/fr
DE: startech.com/de
ES: startech.com/es
NL: startech.com/nl
IT: startech.com/it
JP: startech.com/jp