

# SMART Document Camera 650

Model SDC-650



## OVERVIEW

The SMART Document Camera 650 connects digital learning to the physical world. This easy-to-use 4K Ultra HD visualizer captures live video and images directly to the SMART Board® interactive display, SMART Notebook® software, or your desktop. The SDC-650 is a fully UVC-compliant camera with built-in microphone that can be used as a high-quality webcam with SMART Board displays, keeping the continuity of a classroom experience even while video conferencing. See [smarttech.com](http://smarttech.com) for more information on this product.

## IMAGE

<b>Sensor</b>	1/3.2" CMOS
<b>Pixel count</b>	13 megapixels
<b>Effective pixels</b>	Horizontal: 3840 Vertical: 2160/60fps
<b>Frame rate</b>	Maximum 60 fps
<b>HDMI Output resolution</b>	3840 × 2160, 1920 × 1080, 1280 × 720
<b>USB Output resolution</b>	3840 × 2160, 1920 × 1080, 1280 × 720, 640 × 360, 2560 × 1920, 2048 × 1536, 1600 × 1200, 1280 × 960, 1024 × 768, 640 × 480, 1280 × 1024, 1280 × 800, 320 × 180, 320 × 240
<b>Wi-Fi streaming resolution</b>	3840 × 2160, 1920 × 1080, 1280 × 720, 640 × 360, 1280 × 960, 1024 × 768, 640 × 480, 1280 × 1024, 1280 × 800

## OPTICS

<b>Zoom</b>	Total 230x max. (10x Optical + 23x Digital Zoom)
<b>Focus</b>	Automatic/manual (via remote control or control panel) Automatic manual/area (via document camera software)
<b>Shooting area</b>	480 mm × 345 mm @ 470 mm

## FUNCTION

<b>Brightness</b>	Automatic/manual
<b>White balance</b>	Automatic/manual
<b>Contrast</b>	Automatic/manual
<b>Exposure</b>	Automatic/manual
<b>Image rotation</b>	0°–90° (rotate by camera head)/0°–180° (using document camera software)
<b>Image modes</b>	Normal, High Frame, High Quality, Microscope, Infinity, Macro
<b>Image effects</b>	Black and white, Negative, Color
<b>Image freeze</b>	Yes
<b>Lighting</b>	Built-in LED
<b>Mic</b>	Built-in
<b>Wi-Fi streaming</b>	1080p @30fps, up to 4K @30fps
<b>Wireless modes</b>	P2P <sup>1</sup> /Wi-Fi/Miracast
<b>Image/Video recording</b>	Yes <sup>2</sup>

## COMPATIBILITY

<b>Wireless network</b>	802.11a/b/g/n/ac
<b>Dual band</b>	2.4 GHz/5 GHz
<b>Wireless security</b>	Supports WEP, WPA/WPA2-PSK, WPA/WPA2-Enterprise (EAP-PEAP, EAP-TLS)
<b>Miracast support</b>	Yes
<b>UVC compliant</b>	Yes
<b>Software</b>	SMART Notebook 20.1 or later SMART Document Camera 650 software

<sup>1</sup>Peer-to-Peer (P2P) supported with SMART Document Camera 650 software for Windows and macOS.

<sup>2</sup>Available via connected USB drive (not included), SMART Notebook, or document camera software.

## SMART Document Camera 650 specifications

INPUTS	Qty
Power DC 5V	1
HDMI	1
USB 2.0 Type A <sup>3</sup>	1

OUTPUTS	Qty
HDMI 4K @ 50 Hz/60 Hz, 1080p @ 50 Hz/60 Hz, 720p @ 50 Hz/60 Hz	1
USB mini-B <sup>4</sup>	1
USB 2.0 Type-A <sup>5</sup>	1

INCLUDED CABLES AND ACCESSORIES	Qty
Power adapter and AC cord	1
Remote control	1
AAA Batteries	2
Wi-Fi Dongle <sup>6</sup>	2
Anti-glare sheet	1
Illustrated installation instructions	1

### WARRANTY

<b>Equipment</b>	Five-year limited equipment warranty
<b>Battery</b>	One-year limited battery warranty

POWER	
<b>Power source</b>	100–240 V (AC) 50–60 Hz
<b>Power supply</b>	DC 5 V, 3 A
<b>Internal battery</b>	Li-ion internal (3.6 V/6800 mAh) Charge time with power off: 3 hours Charge time with power on: 7 hours

### NOTE

Battery life varies based on function; the battery can last up to 2 hours. Battery life may reduce over time.

### STORAGE AND OPERATING REQUIREMENTS

<b>Power consumption at 77°F (25°C)</b>	Maximum: 13.7W (Lamp On, Charging), 11W (Standby, Charging) Operating: 8.7W (Lamp On, fully Charged), 7.7W (Lamp Off, fully Charged)
<b>Operating temperature</b>	32°F–95°F (0°C–35°C)
<b>Storage temperature</b>	-4°F–140°F (-20°C–60°C)
<b>Humidity</b>	30% to 85% relative humidity, non-condensing

### CERTIFICATION AND COMPLIANCE (PARTIAL)<sup>7</sup>

<b>U.S. / Canada</b>	FCC, ISED, CONEG Packaging, Proposition 65
<b>EU / EEA / EFTA / UK</b>	CE, UKCA, LVD, CB, EMCD, RED, REACH, RoHS, Battery, WEEE, Packaging, POP
<b>EAEU</b>	EAC
<b>Performance standards</b>	HDMI, USB
<b>Other</b>	Contact your reseller or sales representative

### PURCHASING INFORMATION

<b>Order number: SDC-650</b>	SMART Document Camera 650
<b>Optional accessories</b>	Microscope attachments (see <a href="https://smarttech.com/accessories">smarttech.com/accessories</a> )

<sup>3</sup>For the Wi-Fi dongle.

<sup>4</sup>For connecting to a computer; charging in Standby mode.

<sup>5</sup>For connecting a USB storage device.

<sup>6</sup>One is connected to the document camera and the other is for connecting to a computer.

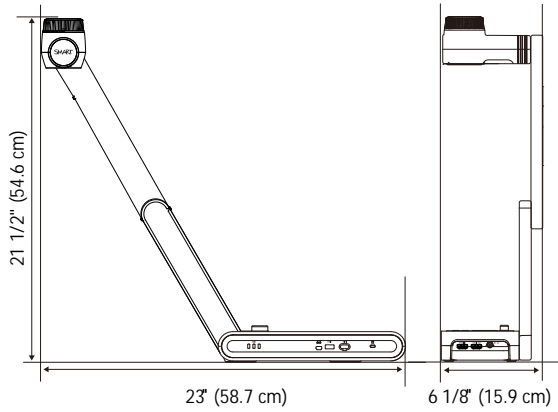
<sup>7</sup>Product availability may vary by region.

## DIMENSIONS AND WEIGHTS

### NOTE

All dimensions  $\pm 1/8"$  (0.3 cm). All weights  $\pm 2$  lb. (0.9 kg).

### Dimensions



### Dimensions

#### Set up

6 1/8" W  $\times$  21 1/2" H  $\times$  23" L  
(15.9 cm  $\times$  54.6 cm  $\times$  58.7 cm)

#### Folded

6 1/8" W  $\times$  3" H  $\times$  14 1/8" L  
(15.9 cm  $\times$  7.6 cm  $\times$  36.4 cm)

### Weight

5.7 lb. (2.6 kg)

### Shipping dimensions

18" W  $\times$  10 1/2" H  $\times$  6 7/8" L  
(45.5 cm  $\times$  27 cm  $\times$  17.5 cm)

### Shipping weight

8 lb. (3.7 kg)

### VESA mount

M4, 75  $\times$  75 mm

smarttech.com  
smarttech.com/contact

© 2021 SMART Technologies ULC. All rights reserved. SMART Board, smarttech, the SMART logo and all SMART taglines are trademarks or registered trademarks of SMART Technologies ULC in the U.S. and/or other countries. All third-party product and company names may be trademarks of their respective owners. This product and/or use thereof is covered by one or more of the following U.S. patents: [www.smarttech.com/patents](http://www.smarttech.com/patents). Contents are subject to change without notice. March 2, 2021.