



SIMPLE
 HOOK-ON
 INSTALLATION

BT7523

FLAT SCREEN WALL MOUNT WITH TILT



Designed to mount medium sized screens, this wall mount is simple to install and features a tilt function that allows easy positioning of the screen. Suitable for screens with VESA patterns up to 200 x 200mm, this neat and tidy mounting solution is ideal for commercial applications as well as home installations. The BT7523 is also collar compatible for alternative mounting solutions. Security screws are provided to help prevent unauthorized removal of the screen.

SPECIFICATION

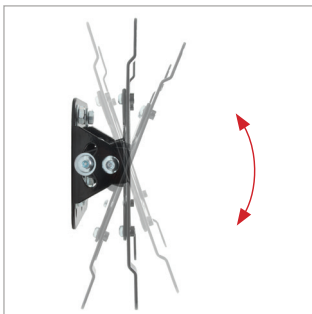
Recommended Screen Size	up to 47"
Max Load	25kg
VESA® compatibility	up to 200 x 200
Extension	52mm
Tilt (<i>wall mounted</i>)	+ / -15°
(<i>pole mounted</i>)	+ / -40°
Colour	Black

FEATURES

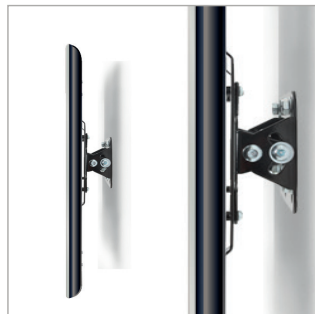
- Fits screens with VESA mounting patterns: 75 x 75mm, 100 x 100mm, 200 x 100mm and 200 x 200mm
- Easy tilt adjustment
- Mounts screen only 52mm from the wall
- Features 'OWLS' On Wall Levelling System
- Security locking screws and Allen key provided for secure installation
- Simple 'hook-on' installation with all mounting hardware included
- Compatible with B-Tech accessory collars



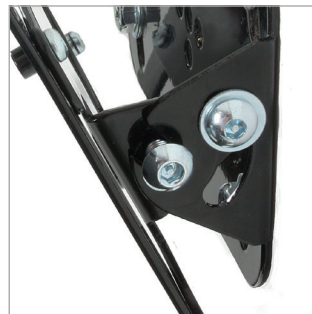
VESA 200 47" 120cm 25KG 15° 15°



Easy tilt adjustment



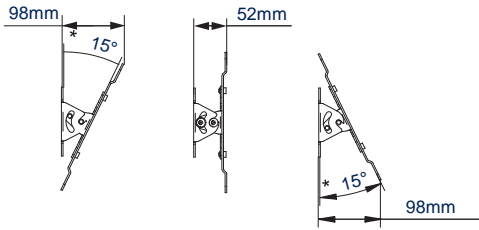
Distance from wall just 52mm



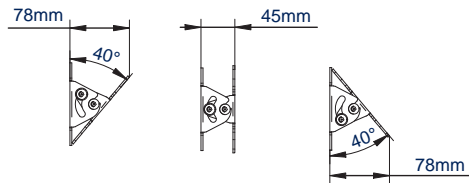
Security locking screws provided



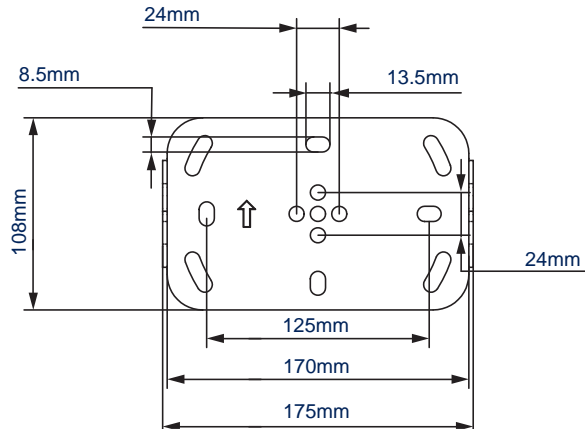
Simple 'hook-on' installation



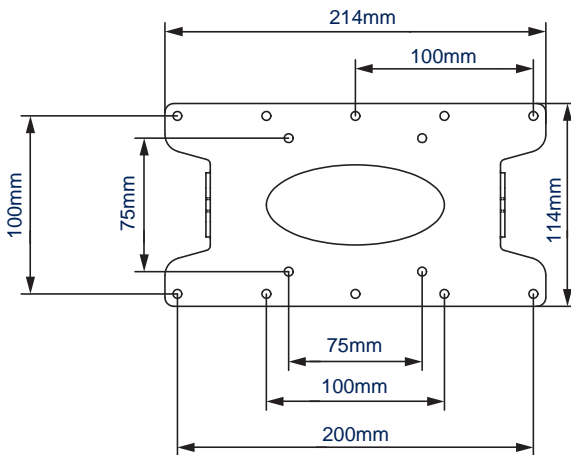
MOUNT WITH ADAPTOR ARMS



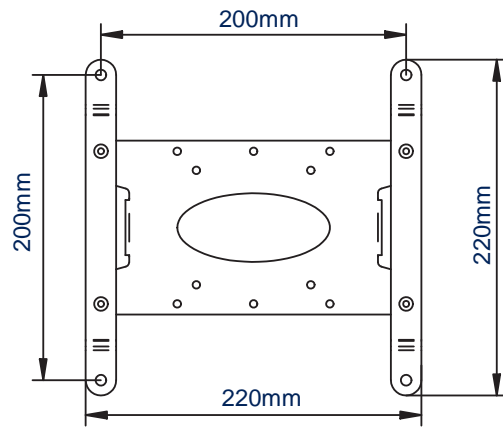
MOUNT WITHOUT ADAPTOR ARMS - SIDE VIEW



WALL PLATE - FRONT VIEW



INTERFACE PLATE - FRONT VIEW



INTERFACE PLATE WITH ADAPTORS - FRONT VIEW

PACKING INFORMATION

COLOUR:	ORDER REF:	EAN CODE:	MASTER CARTON QTY:	INNER CARTON QTY:	MASTER CARTON WEIGHT:	MASTER CARTON CUBE:
Black	BT7523-PRO/B	5019318752575	8	0	10.6kg	0.014cbm

ORIGINAL DESIGNS BY B-TECH AV MOUNTS - REGISTERED DESIGNS & PATENTS APPLY

ACCESSORIES AND SIMILAR PRODUCTS TO THE BT7523

<p>BT7532</p> 	<p>BT7514</p> 	<p>BT7850</p> 	<p>BT7841</p> 
--	--	---	--

Fixed Flat Screen Wall Mount Designed for screens up to 47"

Single Arm Wall Mount with Tilt & Swivel Designed for screens up to 47"

Ø50mm Diameter Poles are available in a choice of 6 lengths and can be used to create multiple pole mounted solutions

Accessory Collars attaches the mount to Ø50mm poles

© 2018 B-Tech International Design and Manufacturing Limited. All rights reserved. This information is the property of B-Tech International Design and Manufacturing Limited. All other trademarks and product names are trademarks of their respective owners. All dimensions and weights are approximate and subject to change without notice. B-Tech International Design and Manufacturing Limited is not responsible for any damage caused by improper installation or mounting on inappropriate structures. All dimensions are in millimeters unless otherwise stated. B-Tech International Design and Manufacturing Limited, UK.

SS-BT7514-V2 - 130318