

Double Arm Flat Screen Wall Mount with Tilt and Swivel

For more information please visit www.btechavmounts.com/BT7513

BT7513

Registered Design Number: 0001713280-0006



BT7513 Double Arm Flat Screen Wall Mount with Tilt and Swivel

Designed for small at screens
up to 23" (58cm) / 15kg (33lbs)

- Fits screens with VESA mounting patterns: 75 x 75mm and 100 x 100mm
- Easy tilt adjustment +17°/-10°
- Features three swivel points: 180° at wall, 360° at central pivot and 240° at interface
- **CLIPLOGIC™** cable management included
- 360° rotation for easy screen levelling and to allow screen to be mounted in landscape or portrait style
- Security locking screws and Allen key provided for secure installation
- Simple 'hook-on' installation with all mounting hardware included
- Available in Piano Black and Silver



Easy adjustment of tilt



CLIPLOGIC™ cable management



Space saving design - folds flat to the wall



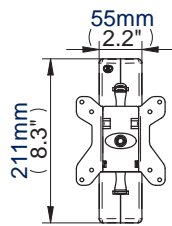
Security locking screws provided

Double Arm Flat Screen Wall Mount with Tilt and Swivel

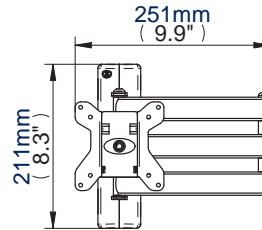
For more information please visit www.btechavmounts.com/BT7513

BT7513

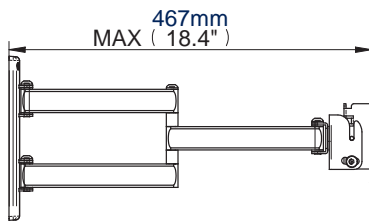
Registered Design Number: 0001713280-0006



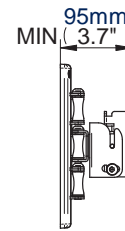
Front View - Maximum Extension



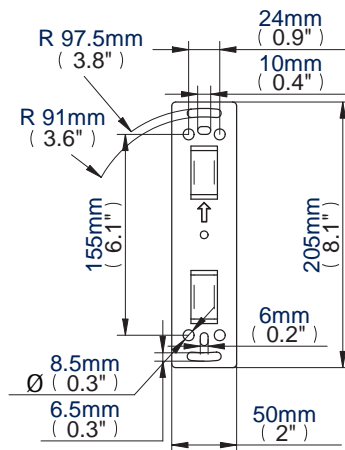
Front View - Folded to Wall



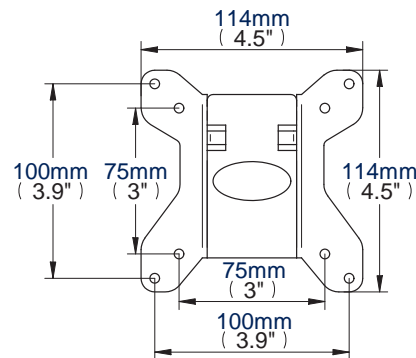
Side View - Maximum Extension



Side View - Folded to Wall



Wall Plate



Interface Plate

Colour:	Order Ref:	EAN Code:	Master Carton Qty:	Inner Carton Qty:	Master Carton Weight:	Master Carton Cube:
Piano Black	BT7513/PB	5019318751325	8	2	17.1kg (37.7lbs)	0.058cbm (2.06cuft)
Silver	BT7513/S	5019318751301	8	2	17.1kg (37.7lbs)	0.058cbm (2.06cuft)

This information is intended as a guide only and reflects the current specification at the time of print. B-Tech accepts no liability for the accuracy of the information contained in this document.