

FPMA-C340DBLACK

NEOMOUNTS TV/MONITOR CEILING MOUNT

SPECIFICATIONS

GENERAL

Min. screen size*	32 inch
Max. screen size*	75 inch
Min. weight	0 kg (per screen)
Max. weight	50 kg (per screen)
Screens	2
VESA minimum	100x100 mm
VESA maximum	400x400 mm

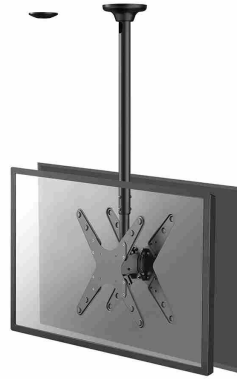
FUNCTIONALITY

Type	Tilt Swivel
Height adjustment	106-156 cm
Tilt (degrees)	+0°, -10°
Swivel (degrees)	+180°, -180°
Rotate (degrees)	+3°, -3°
Height	178,5 cm
Adjustment type	Manual

INFORMATION

Color	Black
Main material	Steel
Warranty	5 year
EAN code	8717371449445

*Please note: The inch sizes stated are just an indication, combined with the weight and VESA sizes. The maximum weight and VESA size are absolute restrictions for the products and should not be exceeded.



Neomounts



Neomounts

Neomounts FPMA-C340DBLACK full motion dual TV/monitor ceiling mount for 32-75" screens - Black

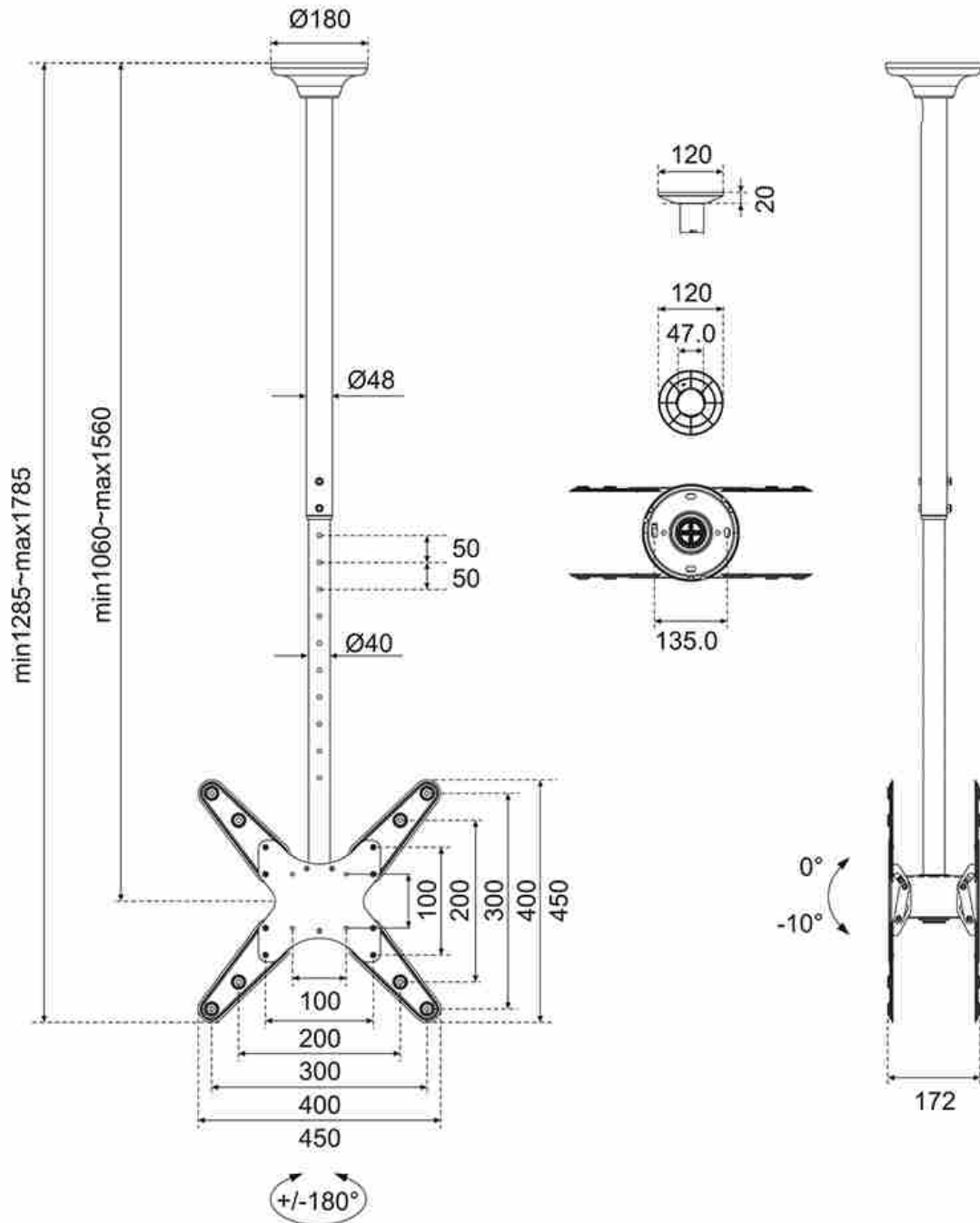
The Neomounts FPMA-C340DBLACK is a full motion ceiling mount for 2 flat screens up to 75". The unique tilt (10°), swivel (360°) and rotate technology (6°) allows the mount to change to the best angle for the optimal viewing position.

The ceiling mount can be easily adjusted in height from 106 to 156 cm* and has a weight capacity of 50 kg (2x). The FPMA-C340DBLACK is suitable for screens that meet VESA hole pattern 100x100 to 400x400mm. A nifty cable management systems conceals and routes cables from ceiling to screen. The mount comes with an additional cover for installation on suspended ceilings.

* The Neomounts NS-EP100BLACK is an extension pole for ceiling mount models NM-C440BLACK, NM-C440DBLACK, FPMA-C340BLACK and FPMA-C340DBLACK. This pole can be used as extra extension to the pole included with the models. In this way, the height of the ceiling mounts can be increased with an extra 107,5 cm.

FPMA-C340DBLACK

NEOMOUNTS TV/MONITOR CEILING MOUNT



Neomounts

Measuring unit: mm
Measuring unit: mm