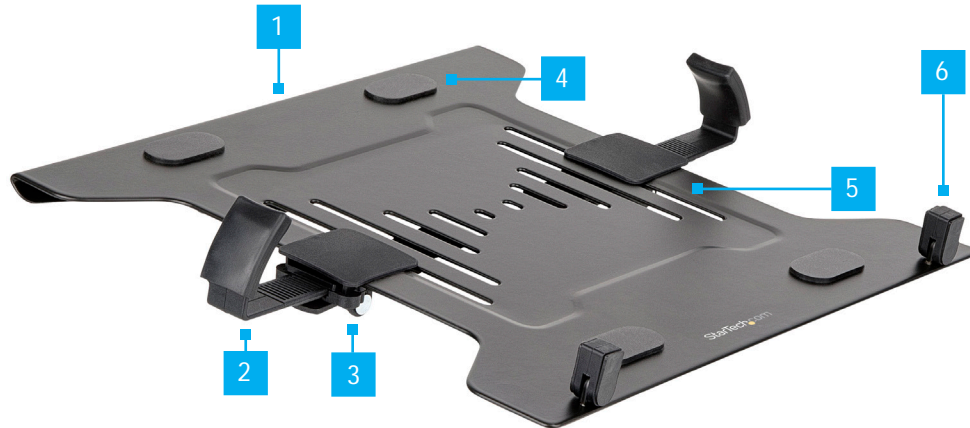


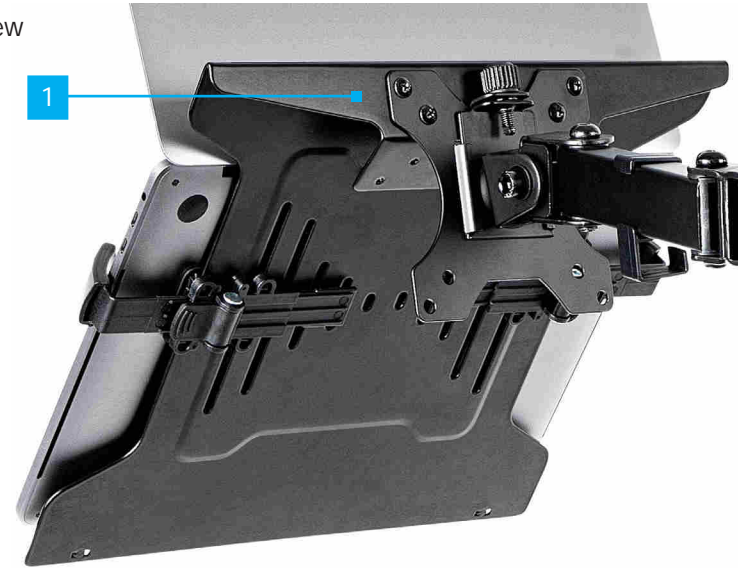
VESA Compatible Laptop Tray with Adjustable Padded Arms

Product Diagram (LAPTOP-ARM-TRAY)

Front view



Back view



Component	Function
1 Laptop Tray	• Mount a Laptop to a VESA Monitor Arm, Mount, or Stand
2 Laptop Arms	• Holds the Laptop securely
3 Laptop Arm Clips	• Attach the Padded Clamps to the Laptop Tray
4 Anti-slip Pads	• Prevent the Laptop from sliding from side-to-side
5 Ventilation Slots	• Promote air flow around the base of the Laptop
6 Stoppers	• Rotate from the horizontal position to vertical depending on the thickness of the Laptop

Component	Function
1 VESA Compatible Mounting Points	• Attach the VESA Bracket (not included) to the 75x75mm and 100x100mm VESA Mounting Holes on the VESA Plate

Package Contents

- Laptop Tray x 1
- Laptop Arm x 2
- Laptop Arm Clips x 2
- Mounting Screws x 4
- Quick-Start Guide x 1

Requirements

For the latest manuals, product information, technical specifications, and declarations of conformance, please visit: www.StarTech.com/LAPTOP-ARM-TRAY

- VESA Compatible Arm, Mount, or Stand
 - 75x75mm and 100x100mm Mounting Hole Patterns
- Phillips Head Screwdriver

Warnings

- Ensure the weight of the equipment does not exceed the weight capacity of this product. If the weight capacity is exceeded, you may experience personal injury or damage to the equipment. This product can support the following weight: up to 9.9 lb (4.5 kg).
- The monitor arm, mount, or stand must support the weight of the Laptop and Laptop Tray.
- Ensure the mounted laptop is properly secured and stable before and after adjusting the laptop tray position.

Attaching the Laptop Arms to the Laptop Tray

1. Position the **Laptop Arms** under the right and left-hand sides of the **Laptop Tray** (**Figure 1**).
2. Locate the four **Rectangular Slots** on the **Laptop Arms**.
3. Align the **Rectangular Slots** on the **Laptop Arms** with the edge of the **Laptop Tray** and the long **Ventilation Slot** as shown in (**Figure 1**)

Note: Place the Laptop onto the Laptop Tray to determine if the current position of the Padded Clamps will impede the use of the Laptop Ports. Make adjustments to the locations of the Laptop Arms as necessary. Remove the Laptop after completing the adjustments.

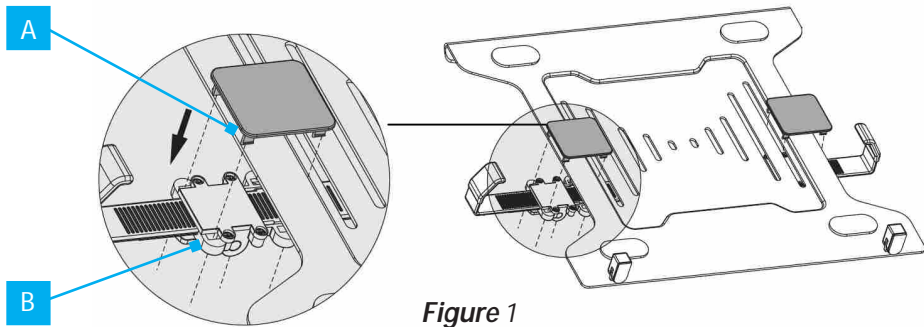


Figure 1

A: Clips

B: Rectangular Slots

4. Align from the top of the **Laptop Tray** the four clips of the **Laptop Arm Clip** with the four **Rectangular Slots** on the **Laptop Arms**.
5. Install the **Laptop Arm Clip** by pushing it into the **Laptop Arm Rectangular Slots**. Ensure all four clips have engaged.
6. Repeat steps 4 - 5 to install the second **Laptop Arm Clip** on the **Laptop Arm**.

Attaching the Laptop Tray to a VESA Bracket

1. Align the **VESA Compatible Mounting Points** on the back of the **Laptop Tray** with the top row VESA mounting points located on the **VESA Bracket** of an arm, mount, or stand.
2. Insert the **Mounting Screws** through the **VESA Bracket** and into the **VESA Compatible Mounting Points** on the **Laptop Tray**. Secure the **Laptop Tray** by tightening the **Mounting screws** using a **Phillips Head Screwdriver**.

Mount the Laptop to the Laptop Tray

1. To prevent the **Laptop** from falling without being secured to the tray, adjust the **Laptop Tray** to a stable horizontal position and its weight can be supported by the arm, mount, or stand.
2. Adjust the **Stoppers** to best match the **Laptop** thickness.
3. Rotate the **Lever**, located at the bottom of the **Laptop Arms**, to unlock the **Laptop Arms**. Leave the **Lever** unlocked.
4. Pull the **Laptop Arms** apart to the maximum available width.
5. Place the **Laptop** into the **Laptop Tray** with the **Laptop Arms** on either side.
6. Slide the **Laptop Arms** inwards until they are firmly seated against the sides of the **Laptop**.
7. Rotate the **Lever**, located at the bottom of the **Laptop Arms**, to lock the **Laptop Arms**.

Use of Trademarks, Registered Trademarks, and other Protected Names and Symbols

This manual may make reference to trademarks, registered trademarks, and other protected names and/or symbols of third-party companies not related in any way to StarTech.com. Where they occur these references are for illustrative purposes only and do not represent an endorsement of a product or service by StarTech.com, or an endorsement of the product(s) to which this manual applies by the third-party company in question. StarTech.com hereby acknowledges that all trademarks, registered trademarks, service marks, and other protected names and/or symbols contained in this manual and related documents are the property of their respective holders.

PHILLIPS® is a registered trademark of Phillips Screw Company in the United States or other countries.

Warranty Information

This product is backed by a 5-year warranty. For further information on product warranty terms and conditions, please refer to www.startech.com/warranty.

Limitation of Liability

In no event shall the liability of StarTech.com Ltd. and StarTech.com USA LLP (or their officers, directors, employees or agents) for any damages (whether direct or indirect, special, punitive, incidental, consequential, or otherwise), loss of profits, loss of business, or any pecuniary loss, arising out of or related to the use of the product exceed the actual price paid for the product. Some states do not allow the exclusion or limitation of incidental or consequential damages. If such laws apply, the limitations or exclusions contained in this statement may not apply to you.

StarTech.com Ltd.
45 Artisans Crescent
London, Ontario
N5V 5E9
Canada

StarTech.com LLP
4490 South Hamilton
Road
Groveport, Ohio
43125
U.S.A.

StarTech.com Ltd.
Unit B, Pinnacle 15
Gowerton Road
Brackmills,
Northampton
NN4 7BW
United Kingdom

StarTech.com Ltd.
Siriusdreef 17-27
2132 WT Hoofddorp
The Netherlands

FR: startech.com/fr
DE: startech.com/de
ES: startech.com/es
NL: startech.com/nl
IT: startech.com/it
JP: startech.com/jp