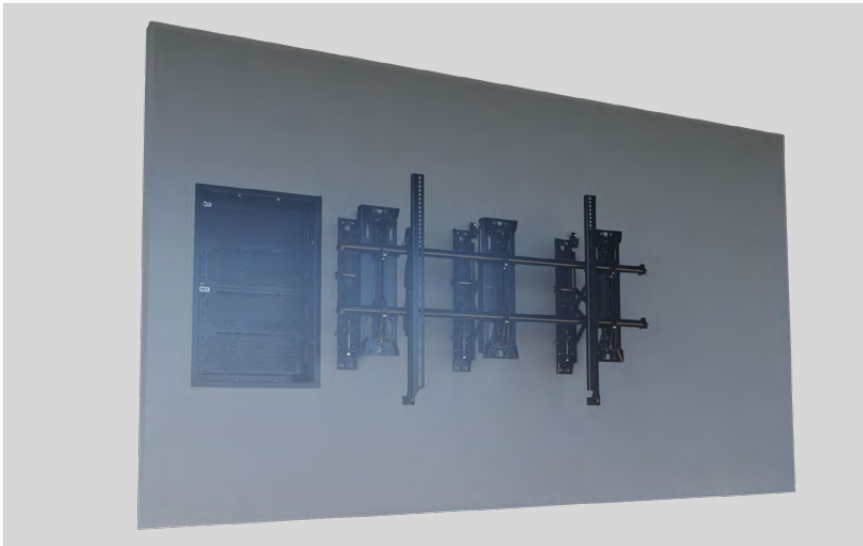


OPTIMIZE LARGE AND EXTRA-LARGE DISPLAY INSTALLS



Fusion Extra-Large Pull Out Accessory with 98" display, XSM1U and PAC527L (display, mount and accessory sold separately)

Optimal for easy servicing of large and extra-large displays, the Fusion™ Pull Out Accessory ([FCAV1U](#)) and Extra-Large Pull Out Accessory ([FCAXV1U](#)) offers up to 11.54" (293 mm) of display extension from the wall when paired with Fusion mounts. Great for recessed applications, Fusion Pull Out Accessories feature plumb adjustment and locking mount position for perfect placement of displays.

WHAT'S INCLUDED



FCAV1U

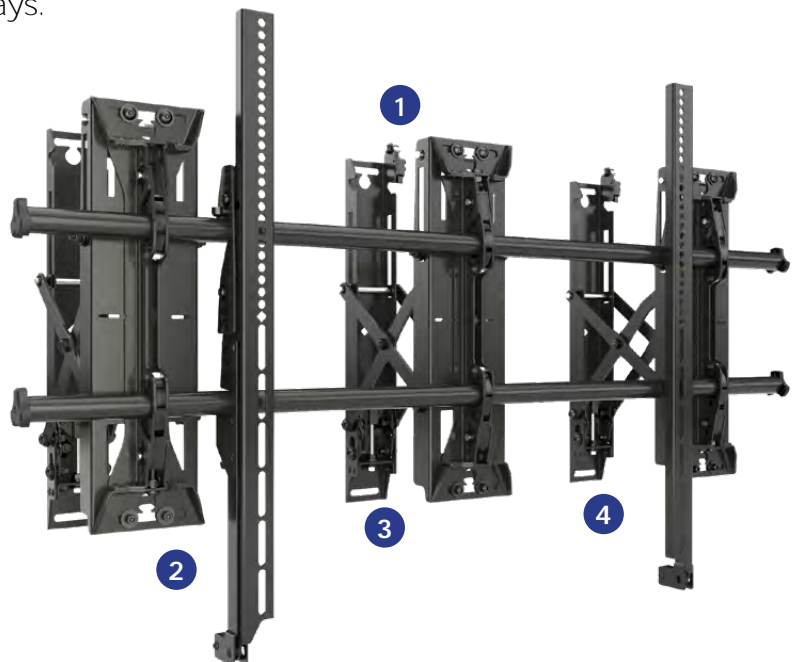
2x scissor arm assemblies & hardware

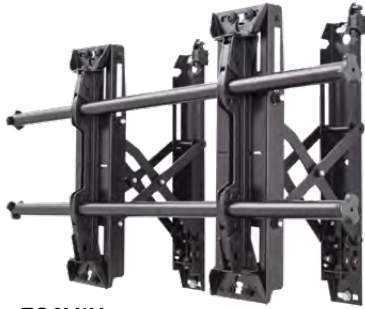


FCAXV1U

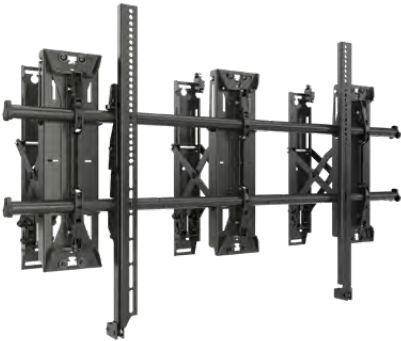
3x scissor arm assemblies, 1x wall plate & hardware

- 1 Screw Driven Retainer Latch
- 2 Wall to display: 11.75" (293 mm) from wall to mount interface brackets
- 3 Scissor Extension: 9.5" (240 mm) from wall
- 4 Plum Adjust Screw: max down 0.5° max up 2°





FCAV1U
mount sold
separately



FCAXV1U
mount sold
separately

FEATURES

- Up to 11.54" (293 mm) extension when combined with Fusion mount - great for recessed applications
- Scissor assembly extends out 9.5"
- Plumb adjustment to keep display in line with the wall
- Screw driven retainer latch to secure mount in home position
- UL Listed



WATCH THE VIDEO

Concealing AV components and accessories behind displays also improves aesthetics. Install Chief Proximity® storage solutions such as the [PAC527L](#) in-wall box or on-wall [CSPR](#) component storage panel to secure AV equipment behind the display.

The FCAV1U extends on two scissor assemblies to support displays up to 150 lbs. (68 kg). The FCAXV1U extends on three scissor assemblies to support displays up to 250 lbs. (113 kg). Check Installation Manual (IM) for allowable weight capacities by mount and mounting substrate.

FCAV1U is compatible with display mount models: [MSM1U](#), [LSM1U](#), [XSM1U](#), [MTM1U](#), [LTM1U](#), [XTM1U](#) and [MTMP1U](#)

FCAXV1U is compatible with display mount models: [XSM1U](#) and [XTM1U](#).

FCAV1U WEIGHT CAPACITY

Mounting Substrate	With MSM1U, MTM1U, MTMP1U* (lbs)	With LSM1U, LTM1U (lbs)	With XTM1U, XSM1U (lbs)
16" on center 2" x 4" wood studs with max. 5/8" drywall	125	NA	NA
16" or 24" on center 2" x 4" wood studs with max. 5/8" drywall	NA	150	NA
24" or 32" on center 2" x 4" wood studs with max. 5/8" drywall	NA	NA	150
Bare 8" concrete wall	125	150	150
8"x8"x16" concrete block wall	125	150	150

*MTMP1U has a weight capacity of 125 lbs when mounted to single 2"x4" wood stud; 150 lbs when mounted to double 2"x 4" wood studs

FCAXV1U WEIGHT CAPACITY

Mounting Substrate	with XTM1U	with XSM1U
Triple 16" on center steel studs	200 lbs. (90 kg)	200 lbs. (90 kg)
Triple 16" on center wood studs	250 lbs. (113 kg)	200 lbs. (90 kg)
3/4" plywood backed steel studs	250 lbs. (113 kg)	200 lbs. (90 kg)
Solid concrete block	250 lbs. (113 kg)	200 lbs. (90 kg)
Hollow concrete block	250 lbs. (113 kg)	200 lbs. (90 kg)