

WL95-800BL1

NEOMOUNTS VIDEO WALL MOUNT

SPECIFICATIONS

GENERAL

Min. screen size*	42 inch
Max. screen size*	70 inch
Max. weight	35 kg (per screen)
Screens	1
VESA minimum	200x200 mm
VESA maximum	600x400 mm
Distance to wall	7,8-26,6 cm

FUNCTIONALITY

Height adjustment	1,3 cm
Width adjustment	4 cm
Depth adjustment	0,4 cm
Lockable	Not lockable
Height	51 cm
Width	62 cm
Depth	8,4 cm
Adjustment type	Micro adjustment
Video wall adjustment	Push to pop-out

INFORMATION

Color	Black
Main material	Steel
Warranty	5 year
EAN code	8717371440541

*Please note: The inch sizes stated are just an indication, combined with the weight and VESA sizes. The maximum weight and VESA size are absolute restrictions for the products and should not be exceeded.



Neomounts



Neomounts

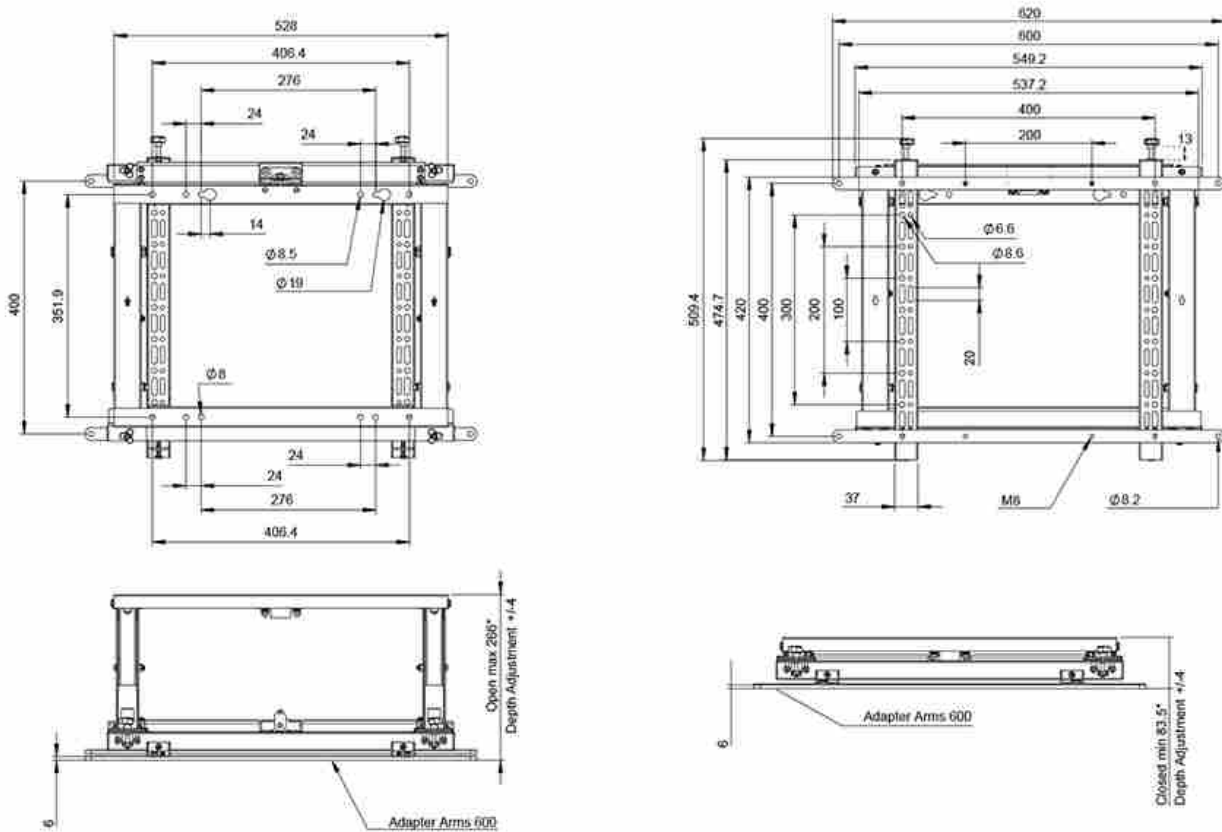
Neomounts WL95-800BL1 push to pop out video wall mount for 42-70" screens - Black

The Neomounts WL95-800BL1 is a push to pop out video wall mount for screens up to 70". The screen can be installed both in portrait and landscape orientation and additionally, toolless micro adjustment in height, depth, tilt and swivel is available for the perfect alignment.

The WL95-800BL1 has a depth of 7,8-26 cm and is suitable for screens that meet VESA hole pattern 200x200 up to 600x400 mm (landscape) or 400x600 mm (portrait). The video wall mount is packed pre-assembled and features keyhole slots to ensure fast and easy installation.

WL95-800BL1

NEOMOUNTS VIDEO WALL MOUNT



*Note: Including 6mm adapter arms for VESA 600x400