

FL55-875WH1

NEOMOUNTS MOTORISED FLOOR STAND

SPECIFICATIONS

GENERAL

Min. screen size*	55 inch
Max. screen size*	100 inch
Max. weight	110 kg (per screen)
Screens	1
VESA minimum	100x100 mm
VESA maximum	800x600 mm

FUNCTIONALITY

Type	Fixed
Height adjustment	111,3-176,3 cm
Lockable	Lockable - Padlock not included
Height	208,8 cm
Width	101,9 cm
Depth	83,1 cm
Adjustment type	Motorised

INFORMATION

Color	White
Main material	Steel
Warranty	5 year
Certification	CE TÜV
EAN code	8717371449728

*Please note: The inch sizes stated are just an indication, combined with the weight and VESA sizes. The maximum weight and VESA size are absolute restrictions for the products and should not be exceeded.



Neomounts



Neomounts

Neomounts FL55-875WH1 motorised floor stand for 55-100" screens - White

The Neomounts FL55-875WH1 MOVE Lift is a mobile floor stand for displays up to 100" with a maximum weight capacity of 110 kg. The trolley has 65 cm motorized height adjustment (35 mm/second), is operated with a wired remote control and features an anti-collision system for extra safety. A lockable, ventilated hardware compartment with cable opening is included and optional for installation.

The MOVE Lift trolley features practical handles and four solid 10 cm double locking caster wheels that allow you to move and use the floor stand wherever you like. Due to the large caster wheels, thresholds or carpets are no challenge to the FL55-875WH1. The open design wheelbase allows easy access to the (touch) display and enables easier movement around objects. The included cable duct, optional to install, conceal and route cables from floor stand to screen. A practical cable management bracket at the back of the trolley ensure easy and safe relocation. Additionally, at the bottom of the trolley a space with tie wrap holes is available to install a power strip.

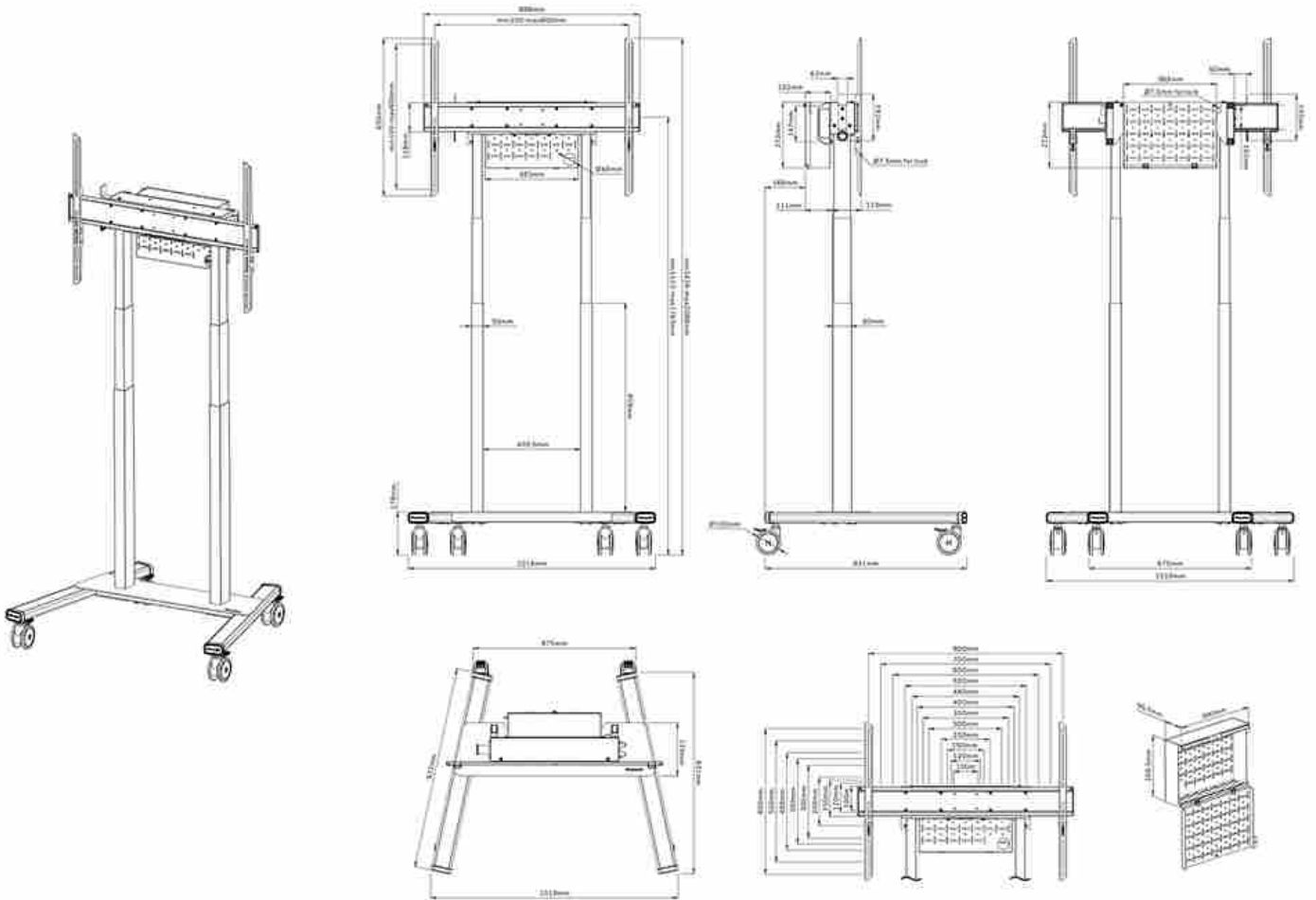
The floor stand is packed partially pre-assembled, to ensure fast and easy installation. The display can be secured by locking the brackets using a padlock (not included). Additionally, the FL55-875WH1 is compactly packed for optimized transportation and storage.

The universal AFL-875WH1 and AV1-875BL videobar & multimedia kits are optionally available and enable the installation of a separate cam shelf and multimedia device shelf to the trolley. Included to the kits are an adapter for respectively the Logitech Rally Bar (Mini) or Bose Professional VB-S/VB1. Various other accessories are also available for the MOVE Lift series, such as the ADM-875BL2 dual screen adapter or the practical ABL-875 wheel brake lock set.



FL55-875WH1

NEOMOUNTS MOTORISED FLOOR STAND



Neomounts