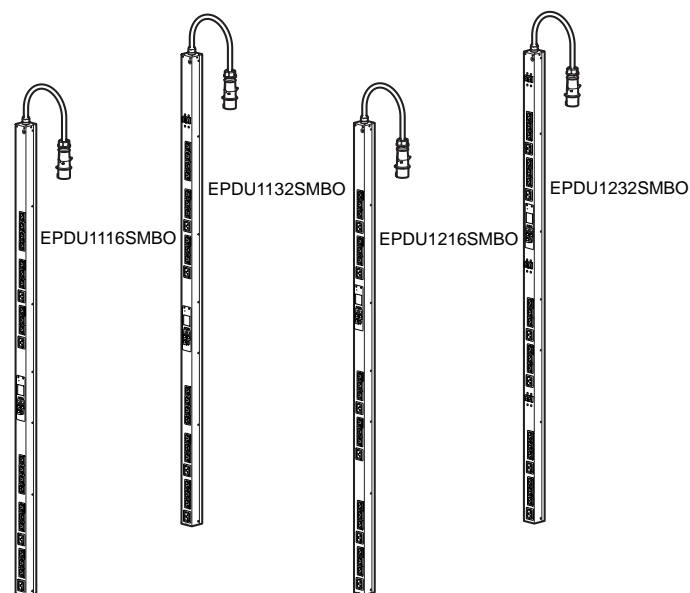




Easy PDU Metered-by-Outlet with Switching Rack Power Distribution Unit Installation



Worldwide Customer Support

Customer support for this product is available at www.apc.com

© 2021 Schneider Electric.

APC and the APC logo are trademarks owned by Schneider Electric SE. All other brands may be trademarks of their respective owners.

990-91568

12/2021

Overview

This sheet provides installation information for your Easy PDU. Read the instructions carefully.

Receiving

Inspect the package and contents for shipping damage. Make sure all parts were sent. Immediately report any shipping damage to the shipping agent. Report missing contents, product damage, or other problems with the product to APC or your APC reseller.

Material Recycling

The shipping materials are recyclable. Please save them for later use, or dispose of them appropriately.

Safety

Read the following information before installing or operating your APC Rack Power Distribution Unit (PDU).

⚠️ ⚠️ DANGER

HAZARD OF ELECTRIC SHOCK, EXPLOSION, OR ARC FLASH

- The Rack PDU is intended to be installed and operated by a skilled person in a controlled location.
- Do not operate the Rack PDU with the covers removed.
- This Rack PDU is intended for indoor use only.
- Do not install this Rack PDU where excessive moisture or heat is present.
- Never install any wiring, equipment, or Rack PDUs during a lightning storm.
- Plug this Rack PDU into a grounded power outlet only. The power outlet must be connected to appropriate branch circuit/mains protection (fuse or circuit breaker). Connection to any other type of power outlet may result in a shock hazard.
- Do not use extension cords or adapters with this Rack PDU.
- If a socket-outlet is not accessible to the equipment, a socket-outlet shall be installed.
- Do not work alone under hazardous conditions.
- Check that the power cord, plug, and socket are in good condition.
- Disconnect the Rack PDU from the power outlet before you install or connect equipment to reduce the risk of electric shock when you cannot verify grounding. Reconnect the Rack PDU to the power outlet only after you make all connections.
- Do not handle any kind of metallic connector before the power has been removed.
- Use one hand, whenever possible, to connect or disconnect signal cables to avoid a possible shock from touching two surfaces with different grounds.
- This unit does not have any user-serviceable parts. Repairs are to be performed only by factory-trained service personnel.
- High leakage current from attached loads is possible. If total leakage current will exceed 3.5mA, attach a ground wire from the Rack PDU supplementary ground (M5 thread) to a reliable ground in your facility before energizing the Rack PDU

Failure to follow these instructions will result in death or serious injury.

⚠️ WARNING

FIRE HAZARD

- This equipment should be connected to a single-outlet dedicated circuit protected by a circuit breaker or fuse with the same current rating as the Rack PDU.
- The plug or inlet serves as the disconnect for the Rack PDU. Make sure the utility power outlet for the Rack PDU will be close to the Rack PDU and readily accessible.

Failure to follow these instructions can result in death or serious injury.

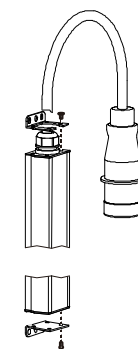
How to Activate Your Warranty with the mySchneider APP

1. Download the **mySchneider** app from the iTunes® or Google Play® app stores.
2. Log in or register your account.
3. Select **Catalog**, then tap on the **Search** bar. Either enter your product model number/ commercial reference or scan the QR code on your product to find your product in the catalogue.
4. Select **Register Asset** and follow the prompts to validate your product details.

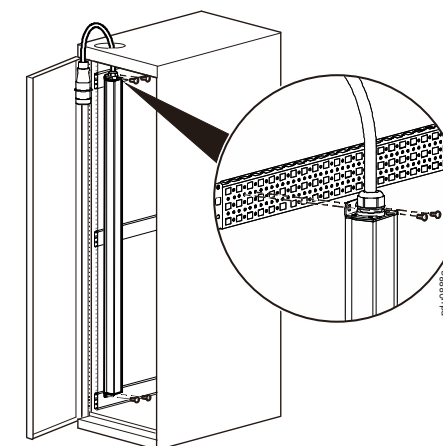
Installation

Option 1 - Vertical Installation with Brackets

1. Install the two (2) brackets to the Rack PDU with the screws provided.



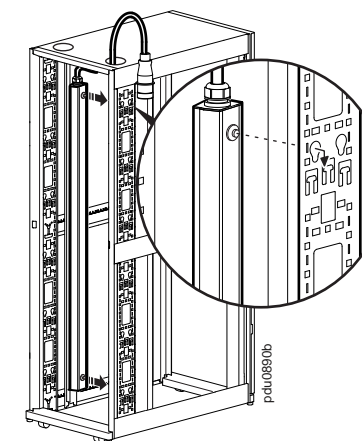
2. Install the PDU to the rack with the provided four (4) M5 x10 mm self-tapping screws.



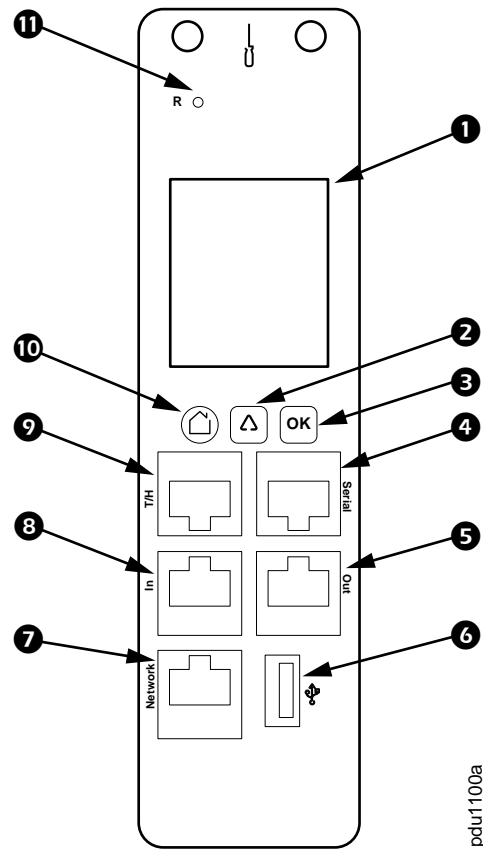
Option 2 - Toolless Mounting Pegs

The mounting pegs of the Rack PDU are installed at the factory. Slide both mounting pegs into the holes located in the channel in the rear panel of the rack. Snap the Rack PDU into place by pushing it downward until it locks into position.

NOTE: When installing the Rack PDU, ensure that the power cord plug is accessible and that it is connected to a grounded outlet.



Display Interface



pdu1100a

Item	Function	Description
1	LCD Display	Show information about the Rack PDU.
2	Scroll Button	Use the Scroll button to move through displayed information.
3	OK Button	With a menu option highlighted, press the OK button to display Rack PDU information.
4	RJ45 Serial Port	Port for connecting the Rack PDU to a terminal emulator program for local access to the command line interface.
5	Out Port	RS485 port sharing connection.
6	USB Port	Connect a flash drive for firmware upgrades or to download data logs.
7	10/100 Base-T Connector	Connect the Rack PDU to the network.
8	In Port	RS485 port sharing connection.
9	Temp/Humidity Port	Temp/Humidity Sensor connection port.
10	Main Menu Button	Press to view the Rack PDU electrical input.
11	Reset Button	Reset the Rack PDU without affecting the status of the outlets.

To configure the network settings and access the Rack PDU

Connect the network cable to the Network port 7 and apply power to the unit.

To access the Rack PDU software interface, enter the IP address in your browser address field. You will be prompted for a user name and password. Enter the default "apc" for each. See the User Guide for this device online at www.apc.com for more detailed information.

Specifications

	EPDU1116SMBO	EPDU1132SMBO	EPDU1216SMBO	EPDU1232SMBO
Electrical				
Nominal Input Voltage	200-240 VAC 1 PHASE	200-240 VAC 1 PHASE	200/346 V-240/ 415 V	200/346 V-240/ 415 V
Maximum Input Current (Phase)	16 A	32 A	16 A	32 A
Input Frequency	50/60 Hz			
Input Connection	IEC309 16 A 2P+E	IEC309 32 A 2P+E	IEC309 16 A 3P+N+PE	IEC309 32 A 3P+N+PE
Output Voltage	200 - 240 VAC			
Maximum Output Current (Outlet)	10 A (C13), 16 A (C19)			
Output Connections	Twenty (20) C13 Four (4) C19	Bank 1: Ten (10) C13, Two (2) C19 Bank 2: Ten (10) C13, Two (2) C19	L1: Six (6) C13, Two (2) C19 L2: Six (6) C13, Two (2) C19 L3: Six (6) C13, Two (2) C19	L1 Bank 1: Three (3) C13, One (1) C19 L1 Bank 2: Three (3) C13, One (1) C19 L2 Bank 3: Three (3) C13, One (1) C19 L2 Bank 4: Three (3) C13, One (1) C19 L3 Bank 5: Three (3) C13, One (1) C19 L3 Bank 6: Three (3) C13, One (1) C19
Overcurrent Protection	None	Two (2) 16 A 1 Pole Hydraulic- Magnetic Circuit Breakers	None	Six (6) 16 A 1 Pole Hydraulic- Magnetic Circuit Breakers
Physical				
Dimensions (H x W x D)	1800 x 55 x 56 mm (70.86 x 2.16 x 2.20 in)			
Input Power Cord Length	3 m (10 ft)			
Shipping Dimensions (H x W x D)	2030 x 195 x 130 mm (79.92 x 7.68 x 5.12 in)			
Weight/ Shipping Weight	6.67 kg (14.70 lb)/ 7.84 kg (17.28 lb)	7.42 kg (16.36 lb)/ 8.59 kg (18.94 lb)	7.12 kg (15.70 lb)/ 8.29 kg (18.28 lb)	8.68 kg (19.14 lb)/ 9.85 kg (21.72 lb)
Environmental				
Maximum Elevation (Above MSL) Operating/ Storage	0-3000 m (0-10,000 ft) / 0-15000 m (0-50,000 ft)			
Temperature: Operating/ Storage	-5 to 45°C (23 to 113°F)/ -25 to 65°C (-13 to 149°F)			
Humidity: Operating/ Storage	5-95% RH, Non-condensing			
Compliance				
EMC Verification	EN55035, EN55032, EN61000-3-3, EN61000-3-2, BS EN55035, BS EN55032, BS EN61000-3-3, BS EN61000-3-2			
Safety Verification	CE, TUV (EN62368-1), RCM, UKCA			
CE EU Contact Address	Schneider Electric, 35 rue Joseph Monier 92500 Rueil Malmaison, France			
Environmental	RoHS & Reach			

Life Support Policy

General Policy

Schneider Electric does not recommend the use of any of its products in the following situations:

- In life-support applications where failure or malfunction of the Schneider Electric product can be reasonably expected to cause failure of the life-support device or to affect significantly its safety or effectiveness.
- In direct patient care.

Schneider Electric will not knowingly sell its products for use in such applications unless it receives in writing assurances satisfactory to Schneider Electric that (a) the risks of injury or damage have been minimized, (b) the customer assumes all such risks, and (c) the liability of Schneider Electric is adequately protected under the circumstances.

Examples of Life-support Devices

The term *life-support device* includes but is not limited to neonatal oxygen analyzers, nerve stimulators (whether used for anesthesia, pain relief, or other purposes), autotransfusion devices, blood pumps, defibrillators, arrhythmia detectors and alarms, pacemakers, hemodialysis systems, peritoneal dialysis systems, neonatal ventilator incubators, ventilators (for adults and infants), anesthesia ventilators, infusion pumps, and any other devices designated as "critical" by the U.S. FDA.

Hospital-grade wiring devices and leakage current protection may be ordered as options on many Schneider Electric UPS systems. Schneider Electric does not claim that units with these modifications are certified or listed as hospital-grade Schneider Electric or any other organization. Therefore these units do not meet the requirements for use in direct patient care.

Radio Frequency Interference

Changes or modifications to this unit not expressly approved by the party responsible for compliance could void the user's authority to operate this equipment.

Two-Year Factory Warranty

This warranty applies only to the products you purchase for your use in accordance with this manual.

Terms of Warranty

Schneider Electric warrants its products to be free from defects in materials and workmanship for a period of two years from the date of purchase. Schneider Electric will repair or replace defective products covered by this warranty. This warranty does not apply to equipment that has been damaged by accident, negligence or misapplication or has been altered or modified in any way. Repair or replacement of a defective product or part thereof does not extend the original warranty period. Any parts furnished under this warranty may be new or factory-remanufactured.

Non-Transferable Warranty

This warranty extends only to the original purchaser who must have properly registered the product. The product may be registered at the Schneider Electric Web site, www.apc.com.

Exclusions

Schneider Electric shall not be liable under the warranty if its testing and examination disclose that the alleged defect in the product does not exist or was caused by end user's or any third person's misuse, negligence, improper installation or testing. Further, Schneider Electric shall not be liable under the warranty for unauthorized attempts to repair or modify wrong or inadequate electrical voltage or connection, inappropriate on-site operation conditions, corrosive atmosphere, repair, installation, exposure to the elements, Acts of God, fire, theft, or installation contrary to Schneider Electric recommendations or specifications or in any event if the Schneider Electric serial number has been altered, defaced, or removed, or any other cause beyond the range of the intended use.

THERE ARE NO WARRANTIES, EXPRESS OR IMPLIED, BY OPERATION OF LAW OR OTHERWISE, OF PRODUCTS SOLD, SERVICED OR FURNISHED UNDER THIS AGREEMENT OR IN CONNECTION HERewith. SCHNEIDER ELECTRIC DISCLAIMS ALL IMPLIED WARRANTIES OF MERCHANTABILITY, SATISFACTION AND FITNESS FOR A PARTICULAR PURPOSE. SCHNEIDER ELECTRIC EXPRESS WARRANTIES WILL NOT BE ENLARGED, DIMINISHED, OR AFFECTED BY AND NO OBLIGATION OR LIABILITY WILL ARISE OUT OF, SCHNEIDER ELECTRIC RENDERING OF TECHNICAL OR OTHER ADVICE OR SERVICE IN CONNECTION WITH THE PRODUCTS. THE FOREGOING WARRANTIES AND REMEDIES ARE EXCLUSIVE AND IN LIEU OF ALL OTHER WARRANTIES AND REMEDIES. THE WARRANTIES SET FORTH ABOVE CONSTITUTE SCHNEIDER ELECTRIC'S SOLE LIABILITY AND PURCHASER'S EXCLUSIVE REMEDY FOR ANY BREACH OF SUCH WARRANTIES. SCHNEIDER ELECTRIC WARRANTIES EXTEND ONLY TO PURCHASER AND ARE NOT EXTENDED TO ANY THIRD PARTIES.

IN NO EVENT SHALL SCHNEIDER ELECTRIC, ITS OFFICERS, DIRECTORS, AFFILIATES OR EMPLOYEES BE LIABLE FOR ANY FORM OF INDIRECT, SPECIAL, CONSEQUENTIAL OR PUNITIVE DAMAGES, ARISING OUT OF THE USE, SERVICE OR INSTALLATION, OF THE PRODUCTS, WHETHER SUCH DAMAGES ARISE IN CONTRACT OR TORT, IRRESPECTIVE OF FAULT, NEGLIGENCE OR STRICT LIABILITY OR WHETHER SCHNEIDER ELECTRIC HAS BEEN ADVISED IN ADVANCE OF THE POSSIBILITY OF SUCH DAMAGES. SPECIFICALLY, SCHNEIDER ELECTRIC IS NOT LIABLE FOR ANY COSTS, SUCH AS LOST PROFITS OR REVENUE, LOSS OF EQUIPMENT, LOSS OF USE OF EQUIPMENT, LOSS OF SOFTWARE, LOSS OF DATA, COSTS OF SUBSTITUTES, CLAIMS BY THIRD PARTIES, OR OTHERWISE. NO SALESMAN, EMPLOYEE OR AGENT OF SCHNEIDER ELECTRIC IS AUTHORIZED TO ADD TO OR VARY THE TERMS OF THIS WARRANTY. WARRANTY TERMS MAY BE MODIFIED, IF AT ALL, ONLY IN WRITING SIGNED BY A SCHNEIDER ELECTRIC OFFICER AND LEGAL DEPARTMENT.

Warranty Claims

Customers with warranty claims issues may access the Schneider Electric customer support network through the Support page of the Schneider Electric Web site, www.apc.com/support. Select your country from the country selection pull-down menu at the top of the Web page. Select the Support tab to obtain contact information for customer support in your region.