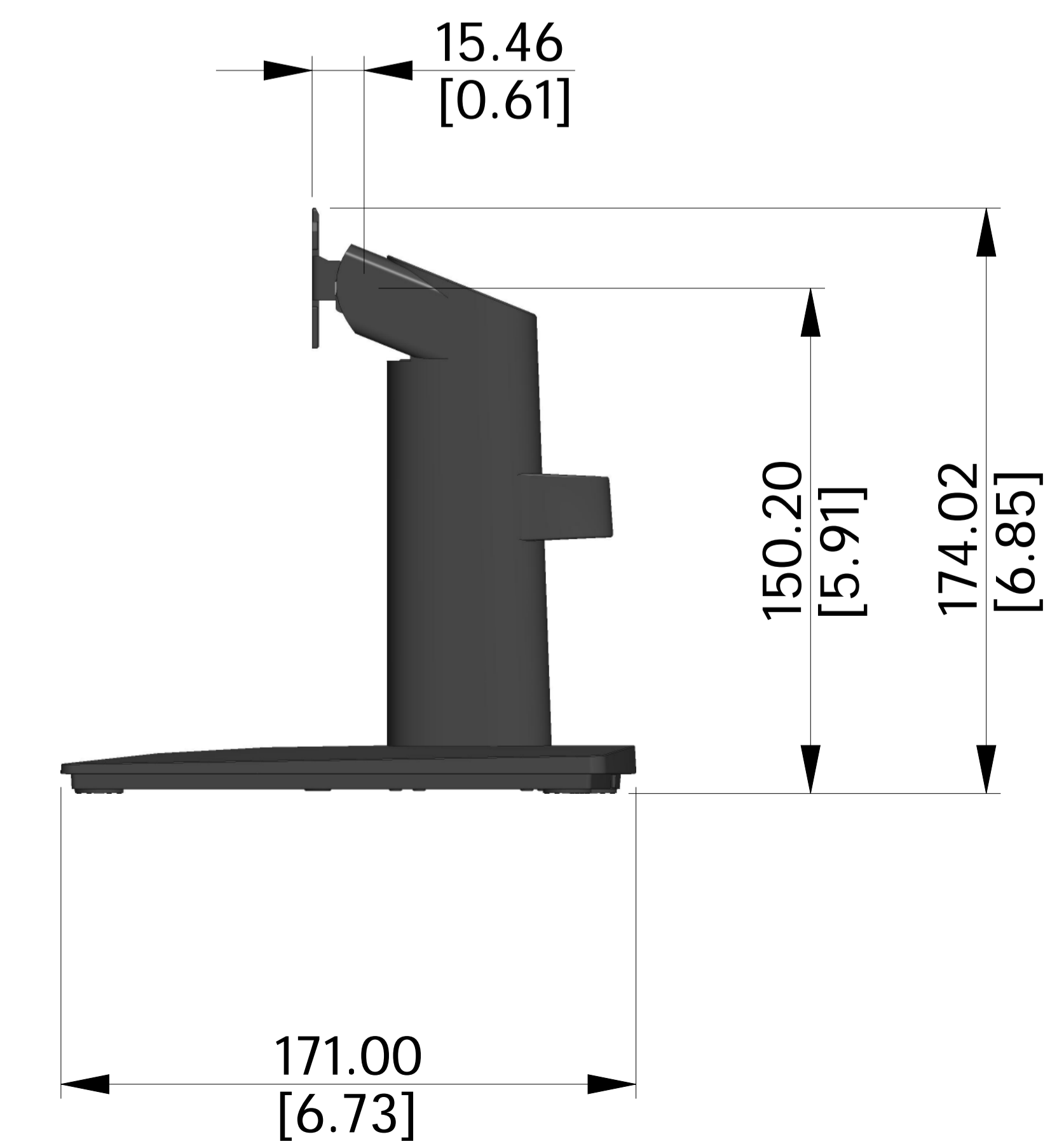
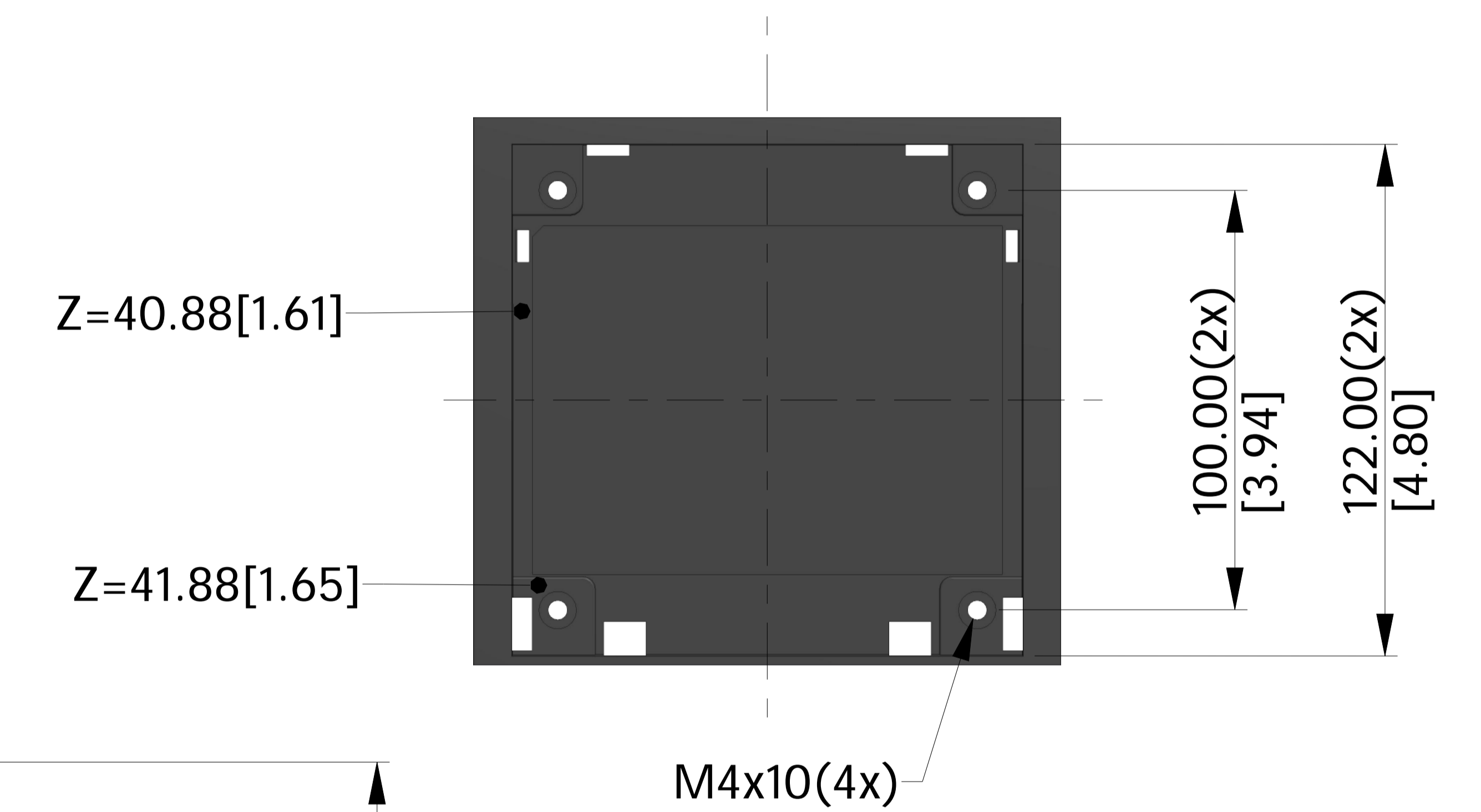
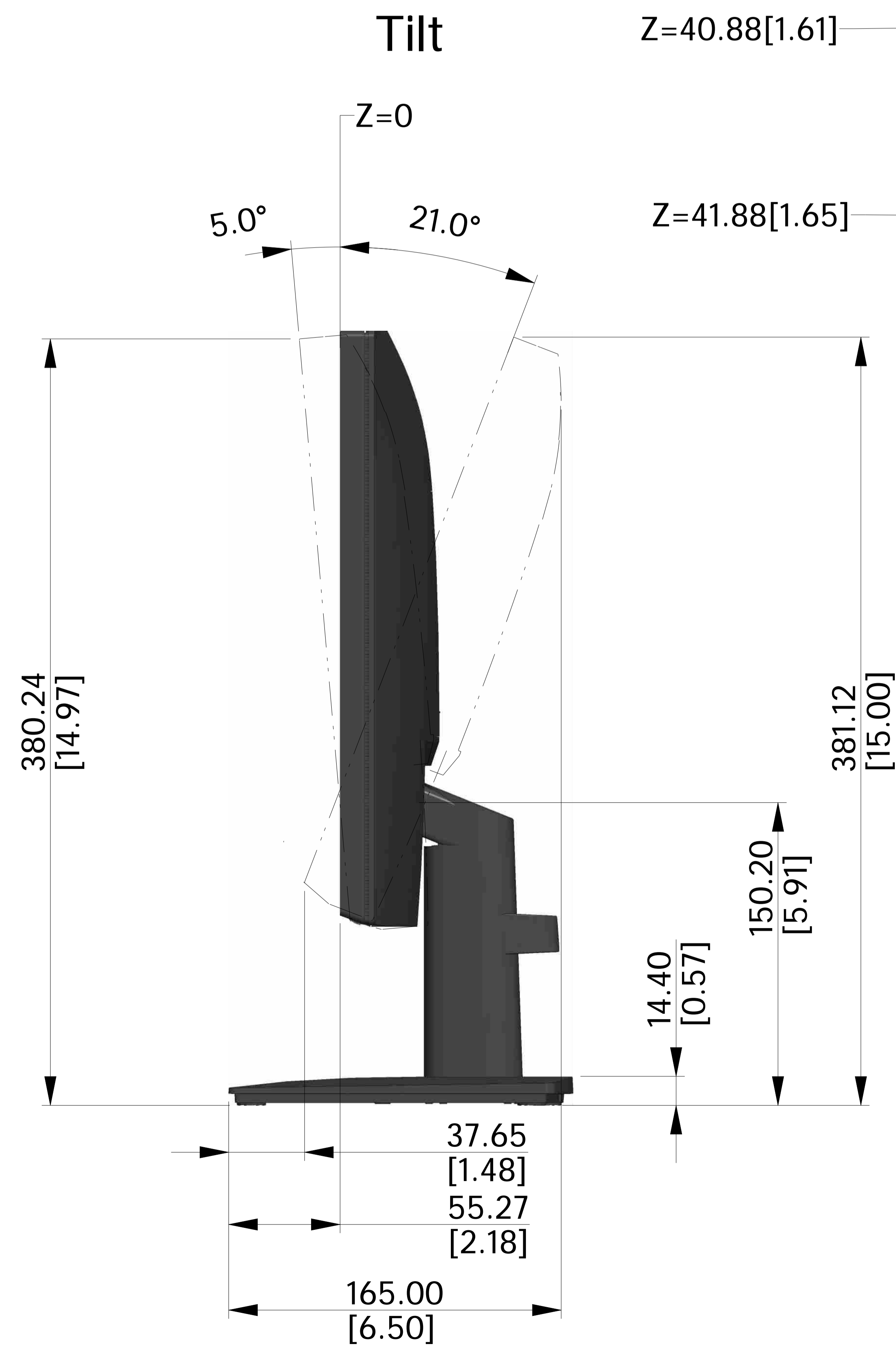
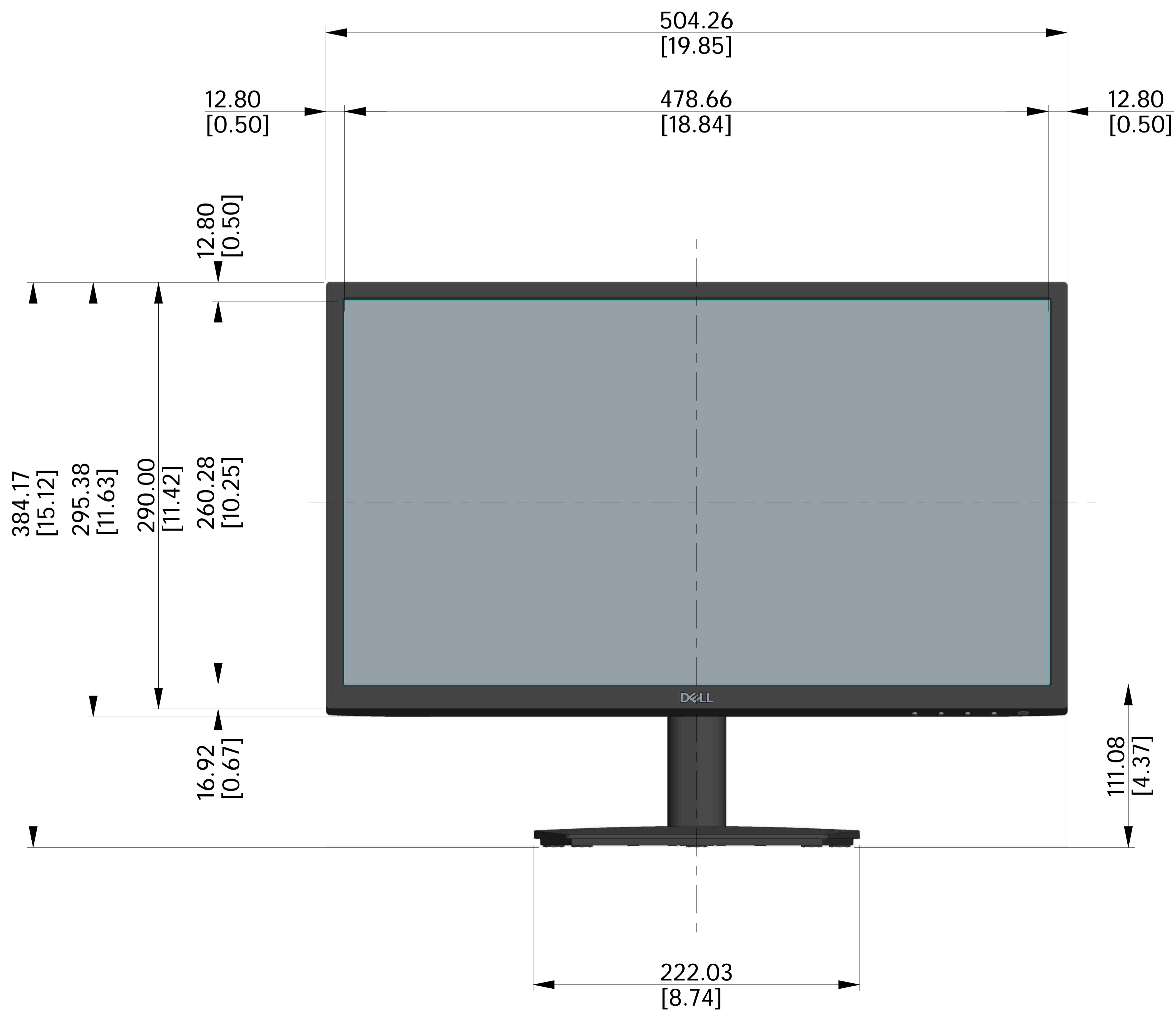
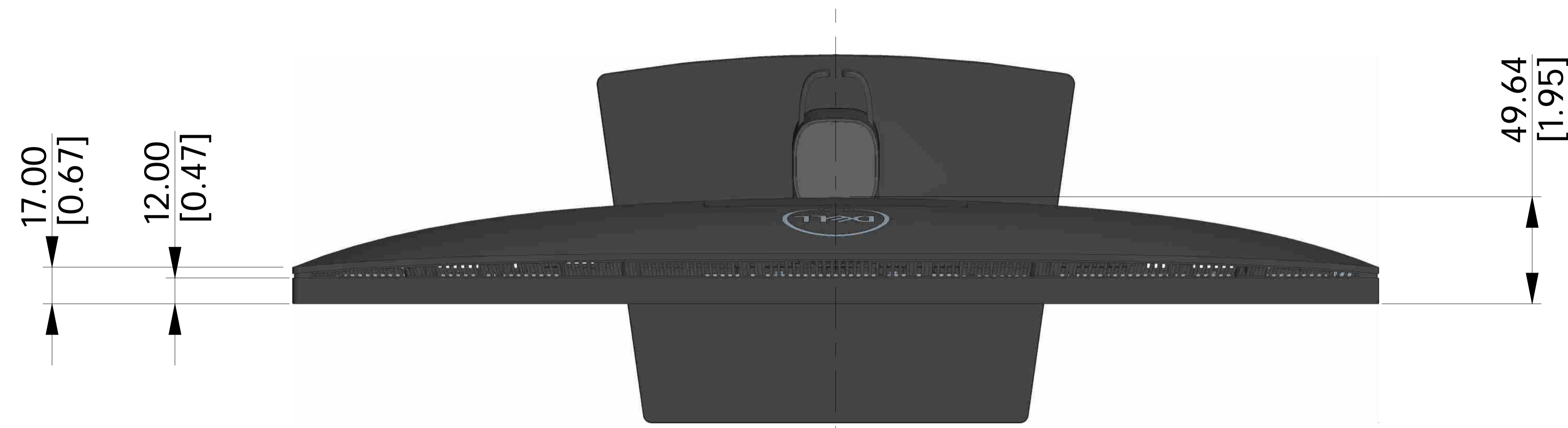
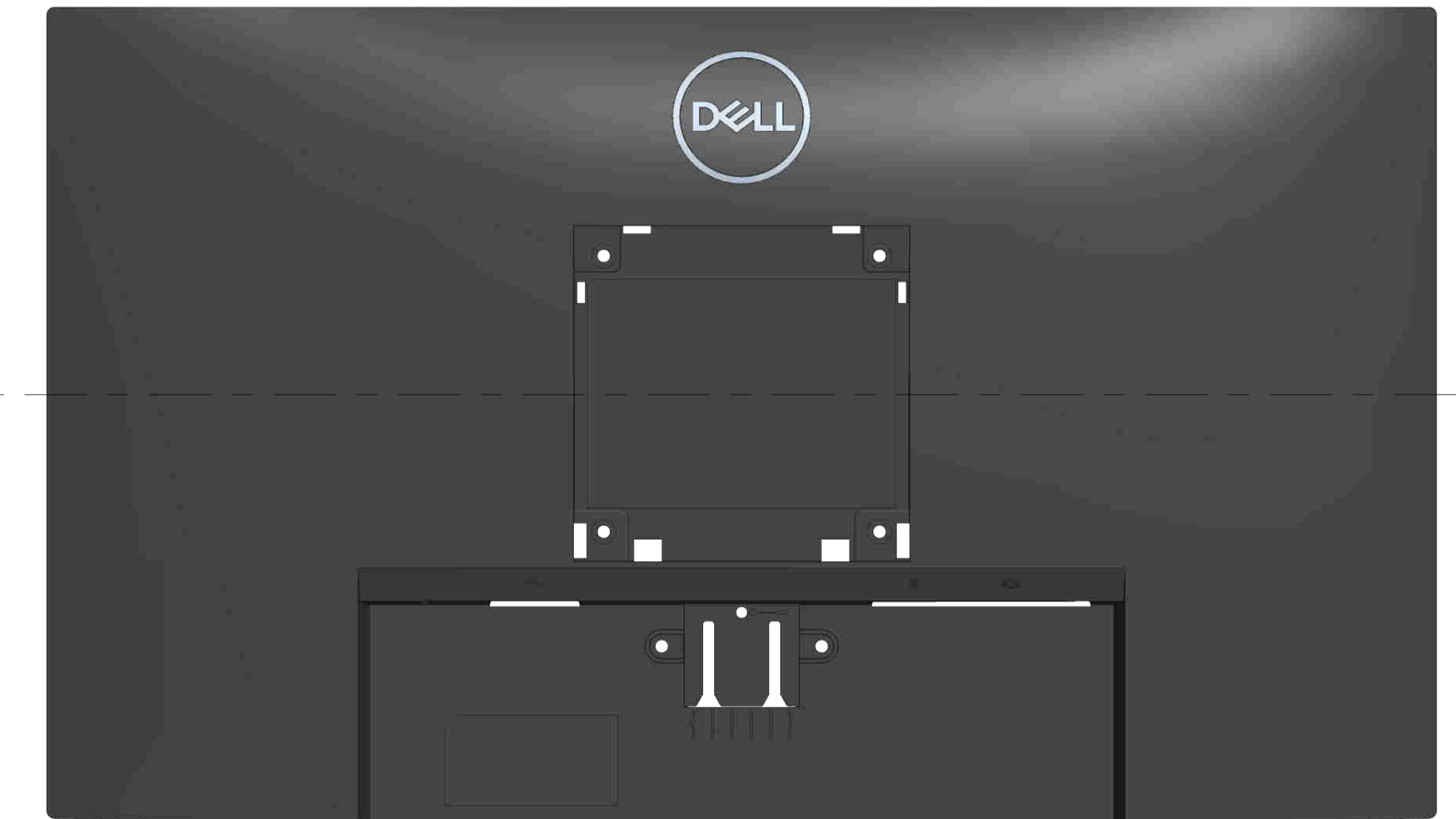


E2222H Outline Dimensions

Unit :mm(inch)
 Dimension :Nominal
 Drawing :Not to scale



M4x10(4x)