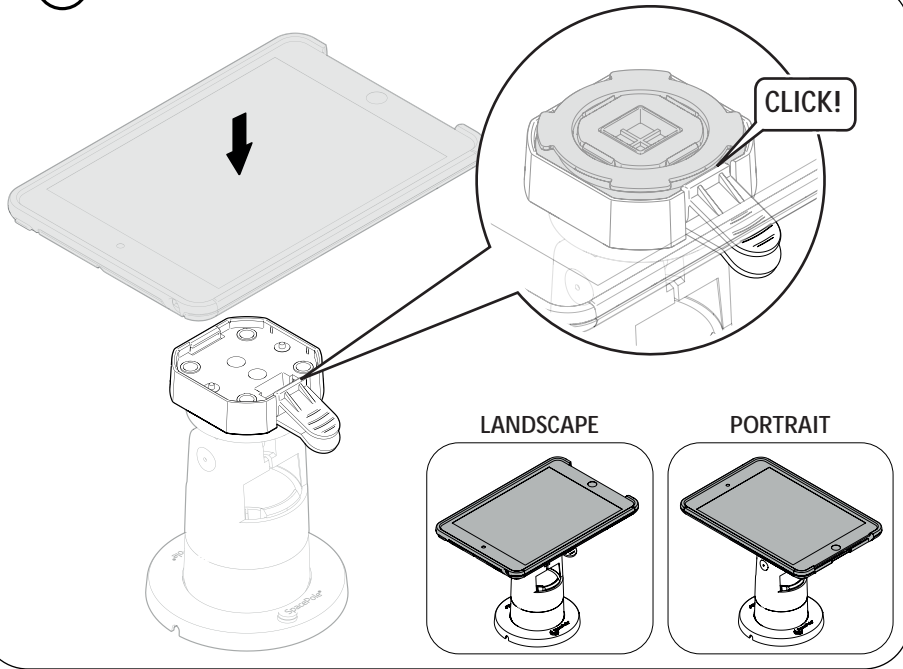
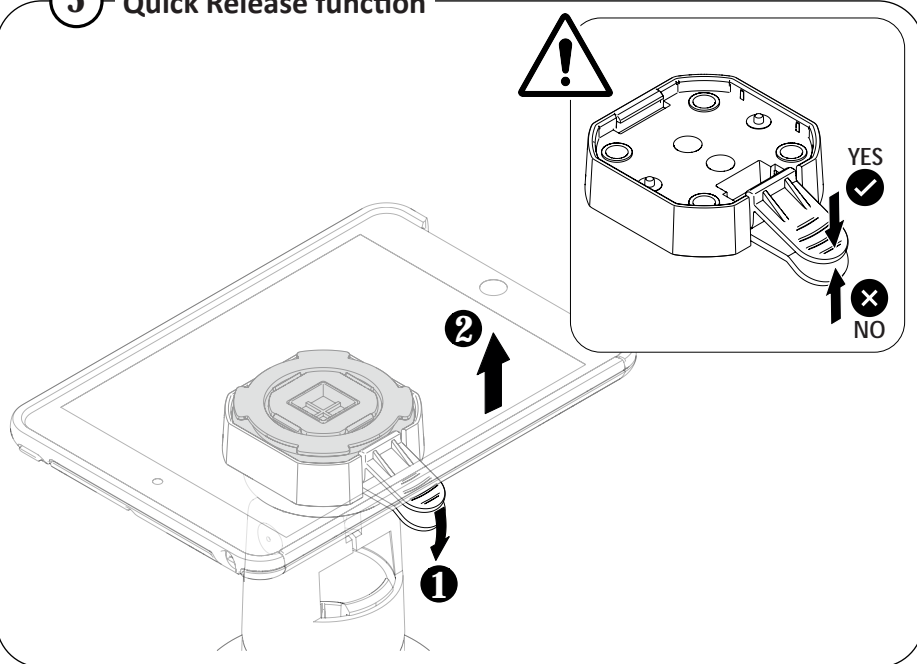


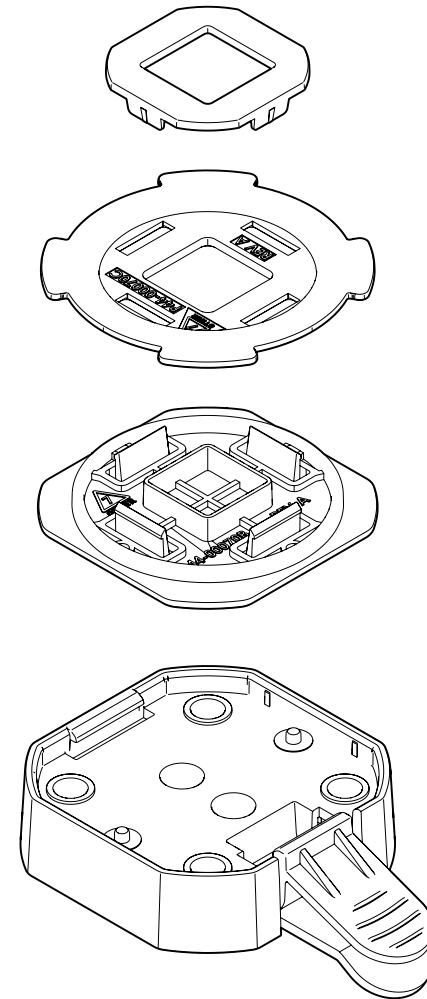
4 Attach device



5 Quick Release function

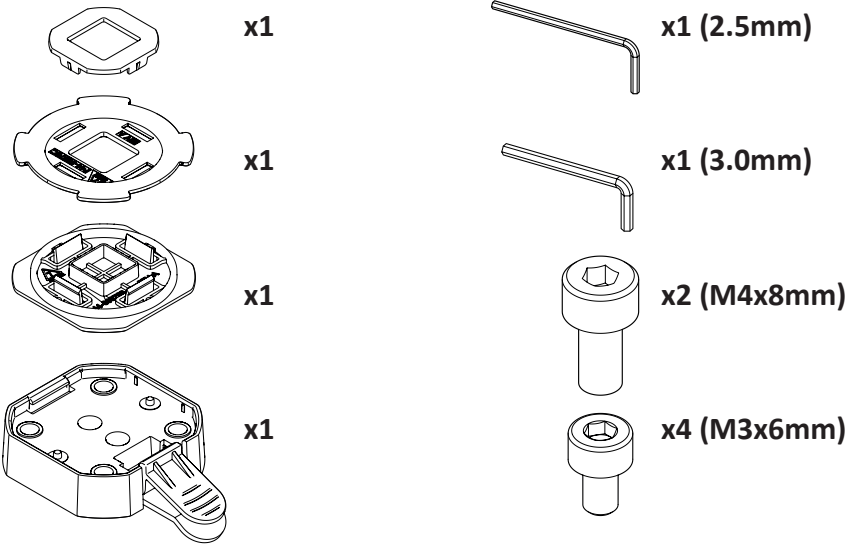


OtterBox uniVERSE Connector with Quick Release adapter

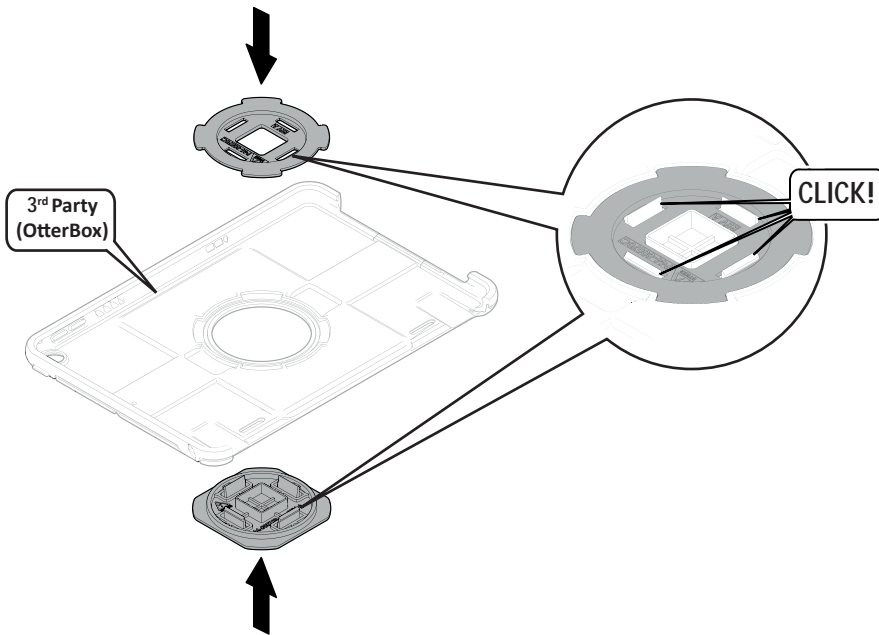


SpacePole®
mounting & mobility

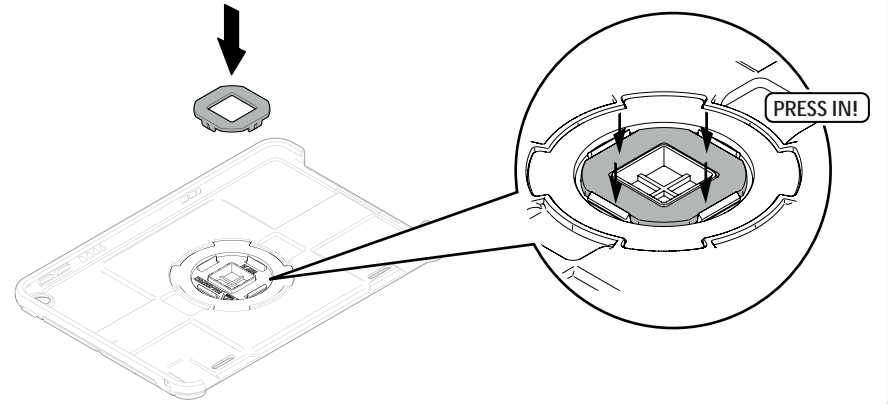
Box Content



1 Assembly with the OtterBox case



2 Securing the snaps



3 Mounting options

