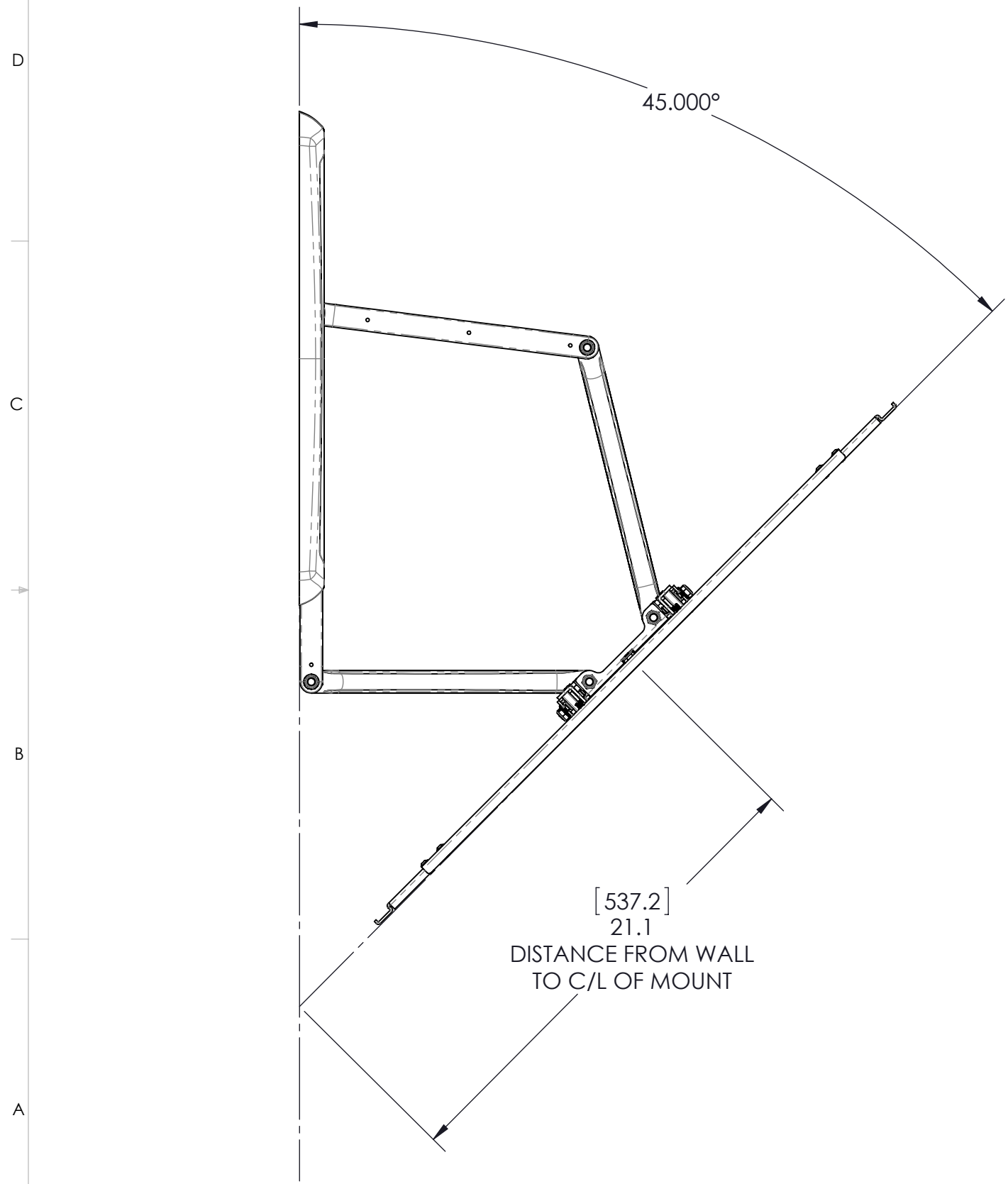


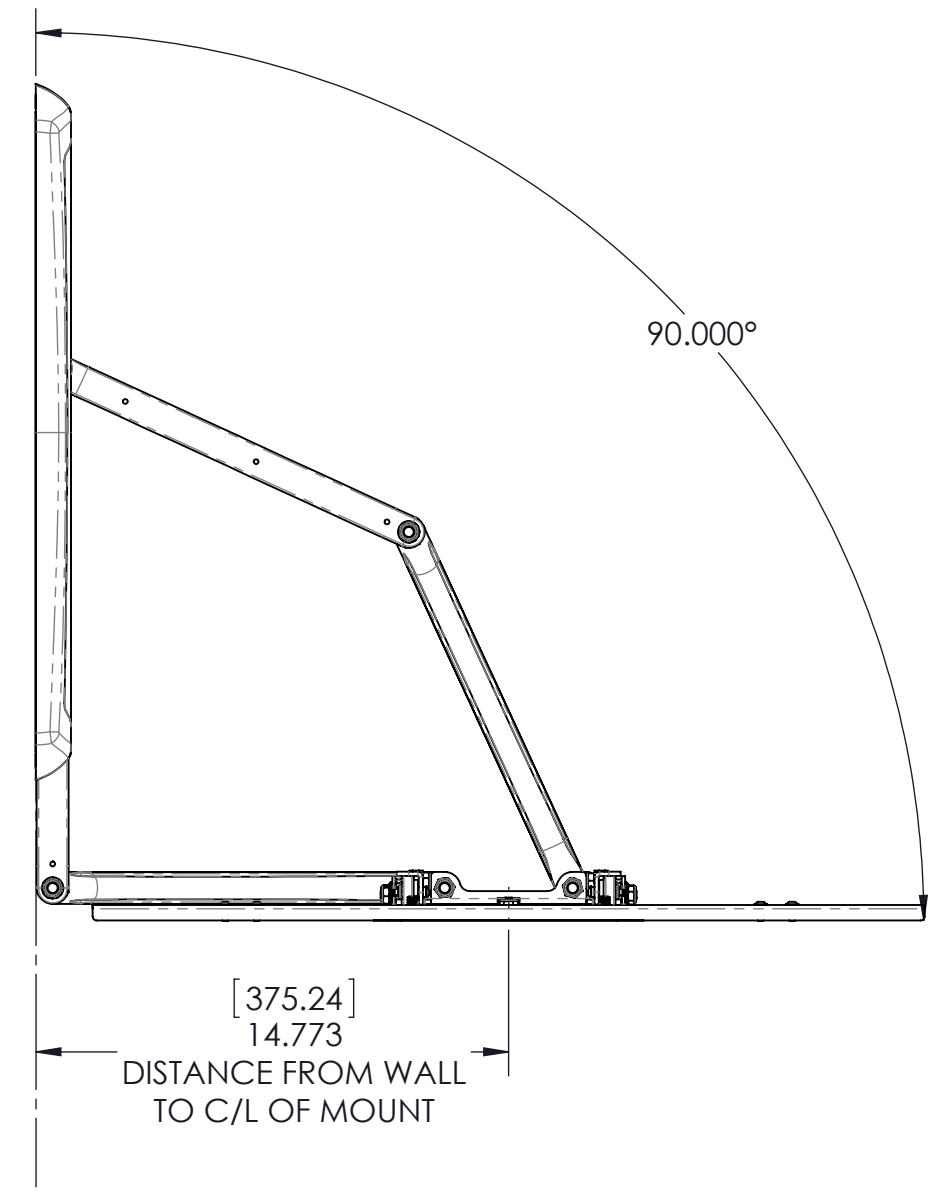
MAXIMUM WEIGHT CAPACITY = 125 lbs. (56.7 kg)

THE INFORMATION AND DESIGNS CONTAINED IN THIS DRAWING ARE CONFIDENTIAL AND THE PROPRIETARY PROPERTY OF MILESTONE AV TECHNOLOGIES NEITHER THIS DESIGN NOR ANY INFORMATION CONTAINED IN THIS DRAWING MAY BE REPRODUCED OR DISCLOSED TO OTHERS WITHOUT THE EXPRESS WRITTEN CONSENT OF MILESTONE AV TECHNOLOGIES.

CAD GENERATED DRAWING, DO NOT MANUALLY UPDATE.		CHIEF	6436 CITY WEST PKWY EDEN PRAIRIE MN, 55344 PHONE: 866-977-3901 FAX: 877-894-6918	
DRAWN BY	JS 2/3/2016		DESCRIPTION	
ENG APPROVAL		TS525TU		
MFG APPROVAL		MODEL NO.		
QA APPROVAL		SCALE	SIZE	DWG. NO.
SHEET 1 OF 2		1:6	B	TECH-000750
				REV. 01



MAXIMUM SIDE SWIVEL



THE INFORMATION AND DESIGNS CONTAINED IN THIS DRAWING ARE CONFIDENTIAL AND THE PROPRIETARY PROPERTY OF MILESTONE AV TECHNOLOGIES NEITHER THIS DESIGN NOR ANY INFORMATION CONTAINED IN THIS DRAWING MAY BE REPRODUCED OR DISCLOSED TO OTHERS WITHOUT THE EXPRESS WRITTEN CONSENT OF MILESTONE AV TECHNOLOGIES.

CAD GENERATED DRAWING, DO NOT MANUALLY UPDATE.			CHIEF 6436 CITY WEST PKWY EDEN PRAIRIE MN, 55344 PHONE: 866-977-3901 FAX: 877-894-6918	
DRAWN BY	JS	2/3/2016	DESCRIPTION TS525TU	
ENG APPROVAL			MODEL NO.	
MFG APPROVAL				
QA APPROVAL				
SHEET 2 OF 2		SCALE 1:6	SIZE B	DWG. NO. TECH-000750
				REV. 01