



INSTALLATION INSTRUCTIONS

Product

7160-1474

FIXED RUGGED LITE KEYBOARD MOUNT

Revision

Rev A

Form

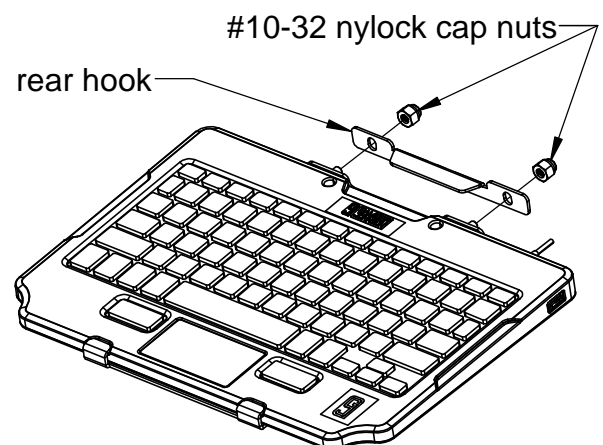
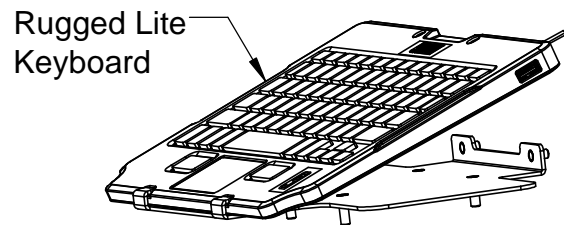
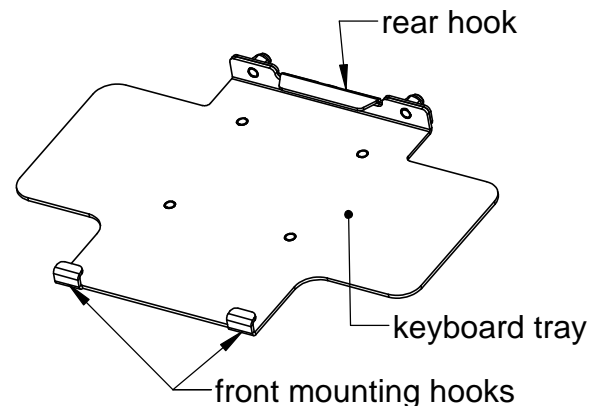
INST-955

Printing Spec: PS-001

This instruction sheet is for the fixed rugged lite keyboard mount only. For other Gamber-Johnson products, please see their specific instruction sheets.

MOUNTING THE RUGGED LITE KEYBOARD:

1. Insert the front of the rugged lite keyboard under the two front hooks on the keyboard tray.
2. With the front hooks engaged, rotate the back of the keyboard downward onto the keyboard tray.
3. Hold down the back on the keyboard by attaching the rear hook with the (2) #10-32 nylock cap nuts supplied in hardware bag 7120-0945.
4. Attach the keyboard mount (with keyboard attached) to a Gamber-Johnson motion attachment or tablet keyboard mount (ie. 7160-0799, 7160-1257, or 7160-1466-01) with the (4) #10-32 keps lock nuts found in hardware bag 7120-0945.



Product Mounting Disclaimer

Gamber-Johnson is not liable under any theory of contract or tort law for any loss, damage, personal injury, special, incidental or consequential damages for personal injury or other damage of any nature arising directly or indirectly as a result of the improper installation or use of its products in vehicle or any other application. In order to safely install and use Gamber-Johnson products full consideration of vehicle occupants, vehicle systems (i.e., the location of fuel lines, brake lines, electrical, drive train or other systems), air-bags and other safety equipment is required. Gamber-Johnson specifically disclaims any responsibility for the improper use or installation of its products not consistent with original vehicle manufactures specifications and recommendations, Gamber-Johnson product instruction sheets, or workmanship standards as endorsed through the Gamber-Johnson Certified Installer Program.

© Copyright 2019 Gamber-Johnson, LLC

If you need assistance or have questions, call Gamber-Johnson at 1-800-456-6868