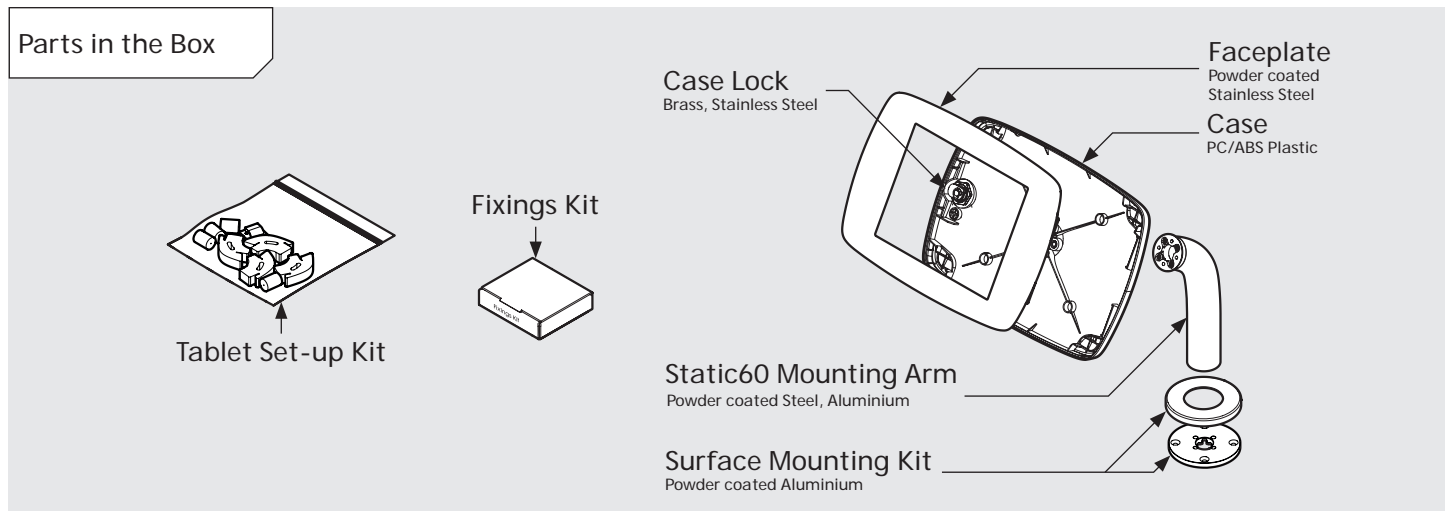
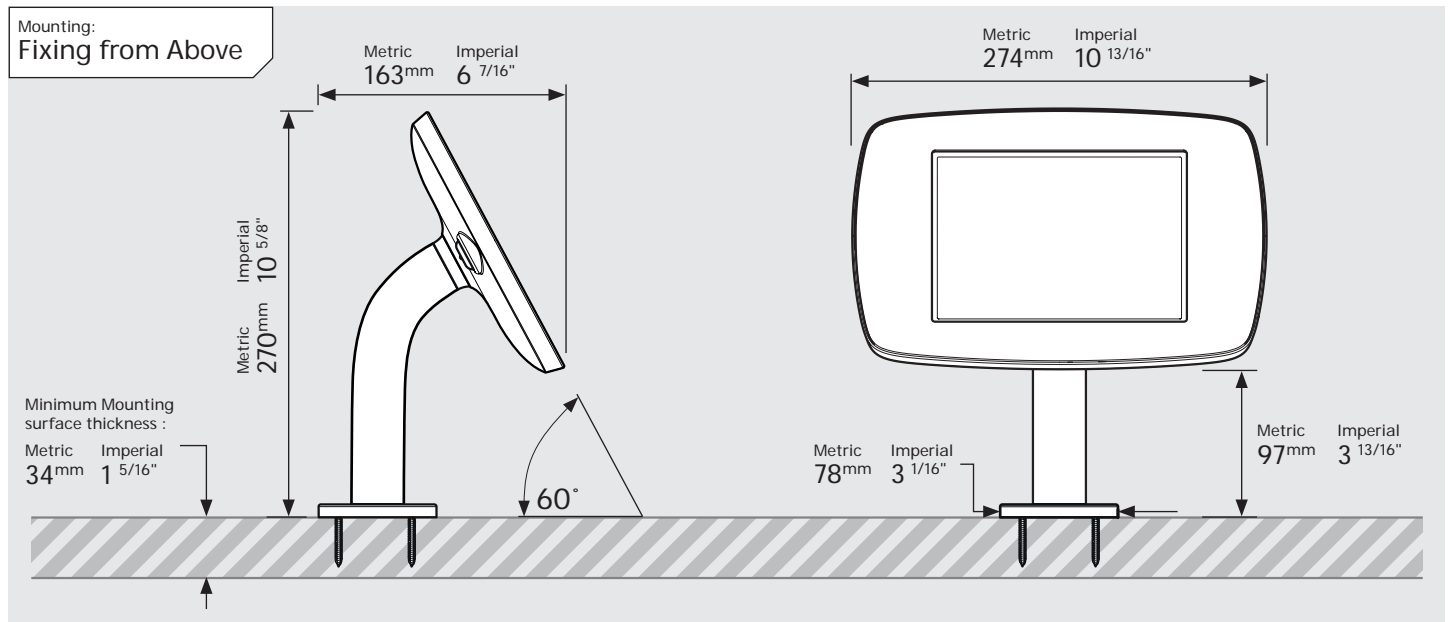
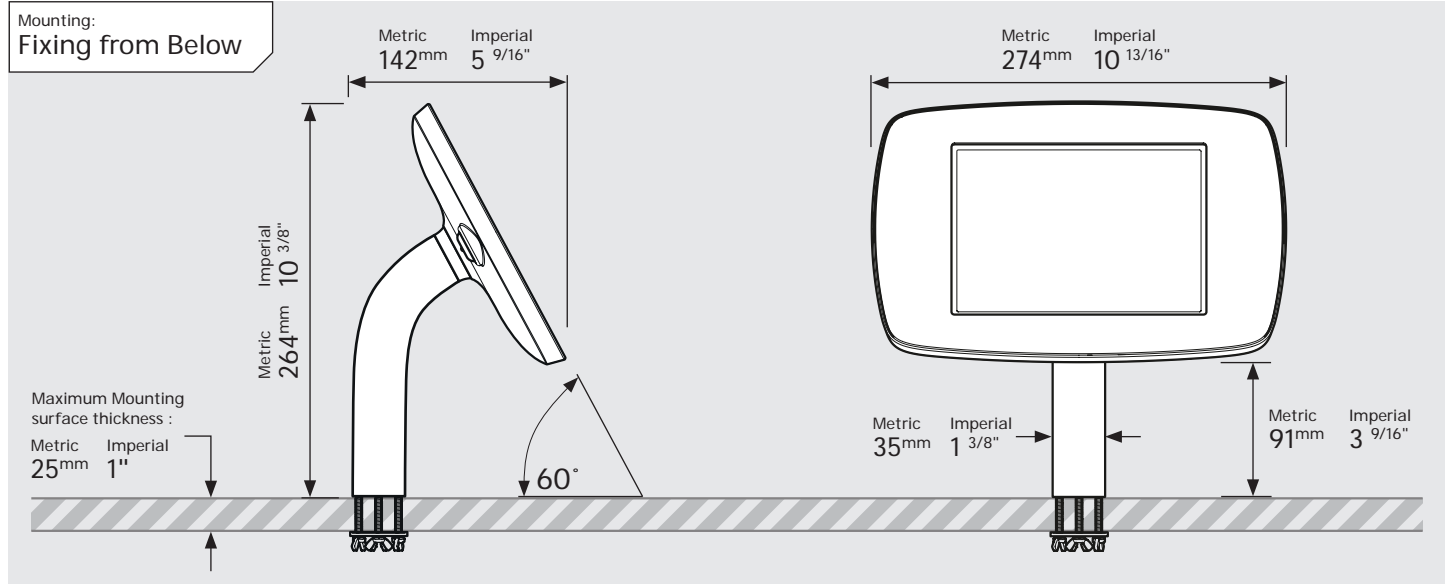


# PRODUCT DATA SHEET - STATIC60 (MINI CASE)

**bouncepad**<sup>®</sup>

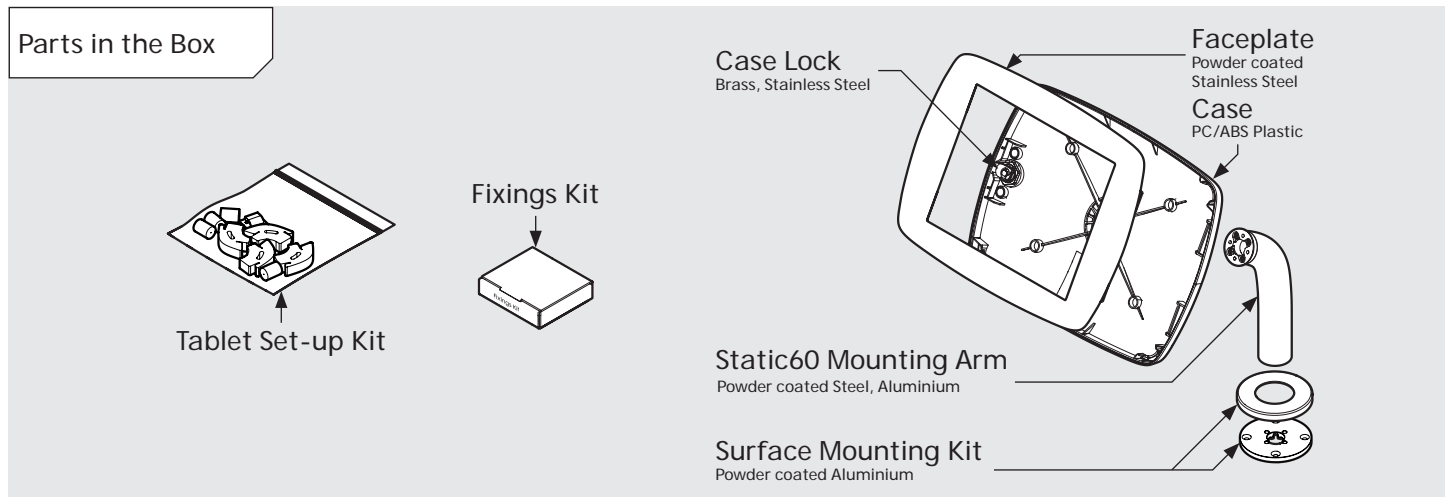
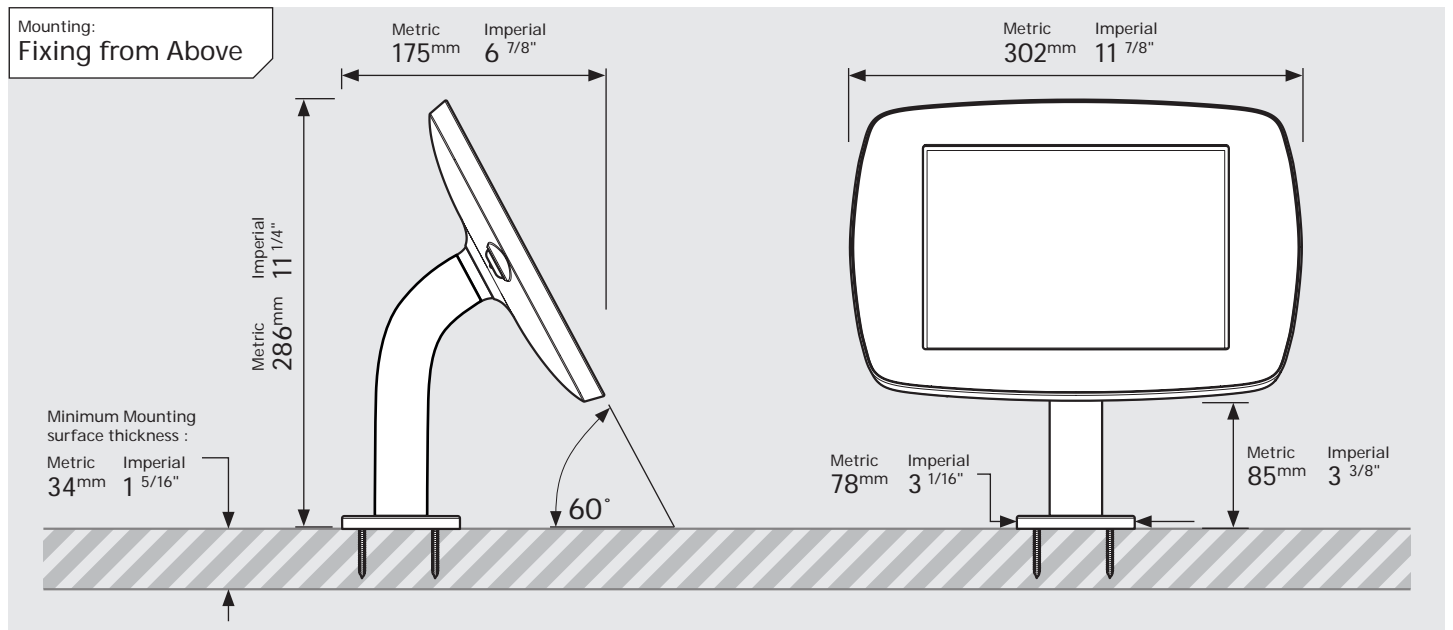
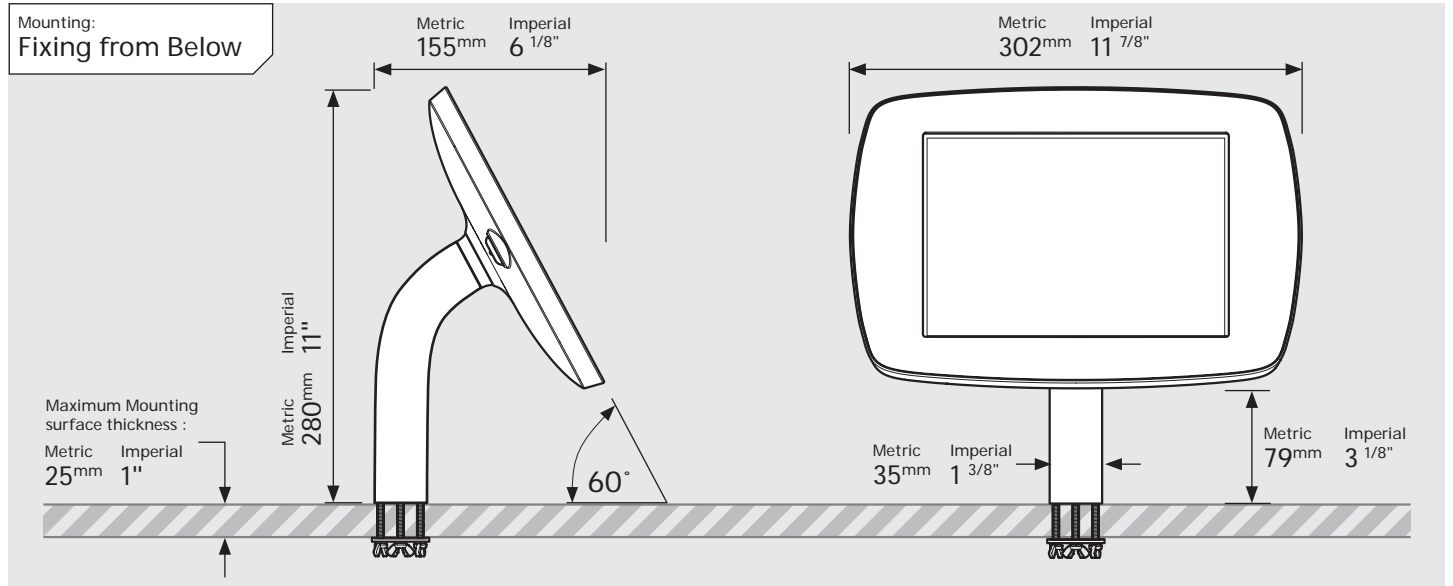
<b>Case:</b>	<b>Arm:</b>	<b>Mounting:</b>	<b>Packaged weight:</b>	<b>Colour:</b>
Mini	Static60	Fixing from <b>Below</b>	1.71kg	White Black
		Fixing from <b>Above</b>		



# PRODUCT DATA SHEET - STATIC60 (MIDI CASE)

**bouncepad®**

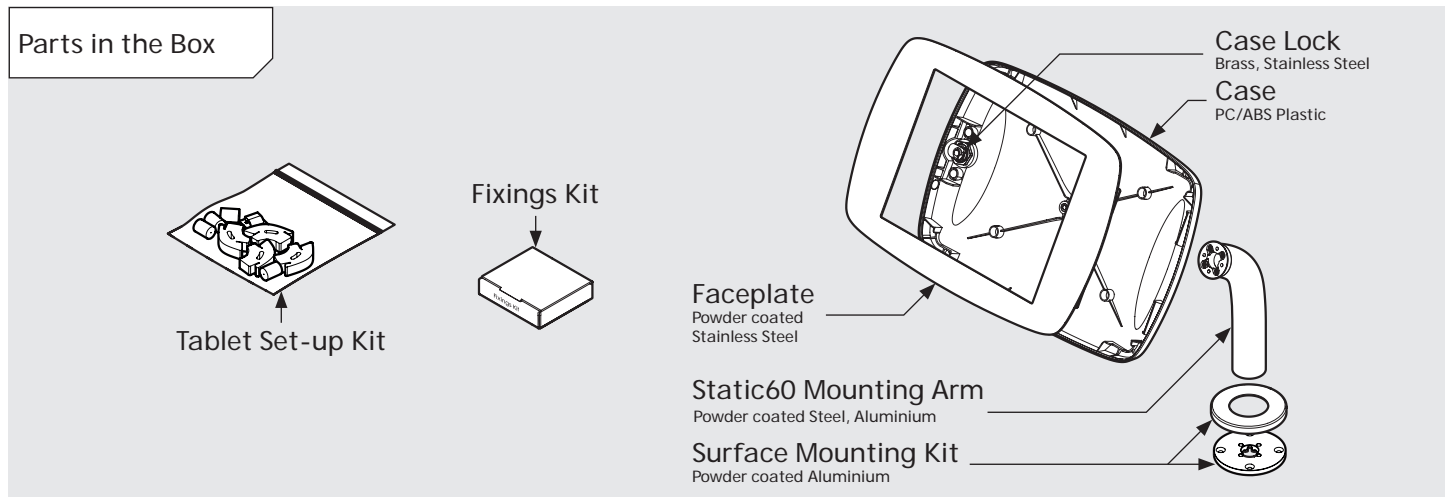
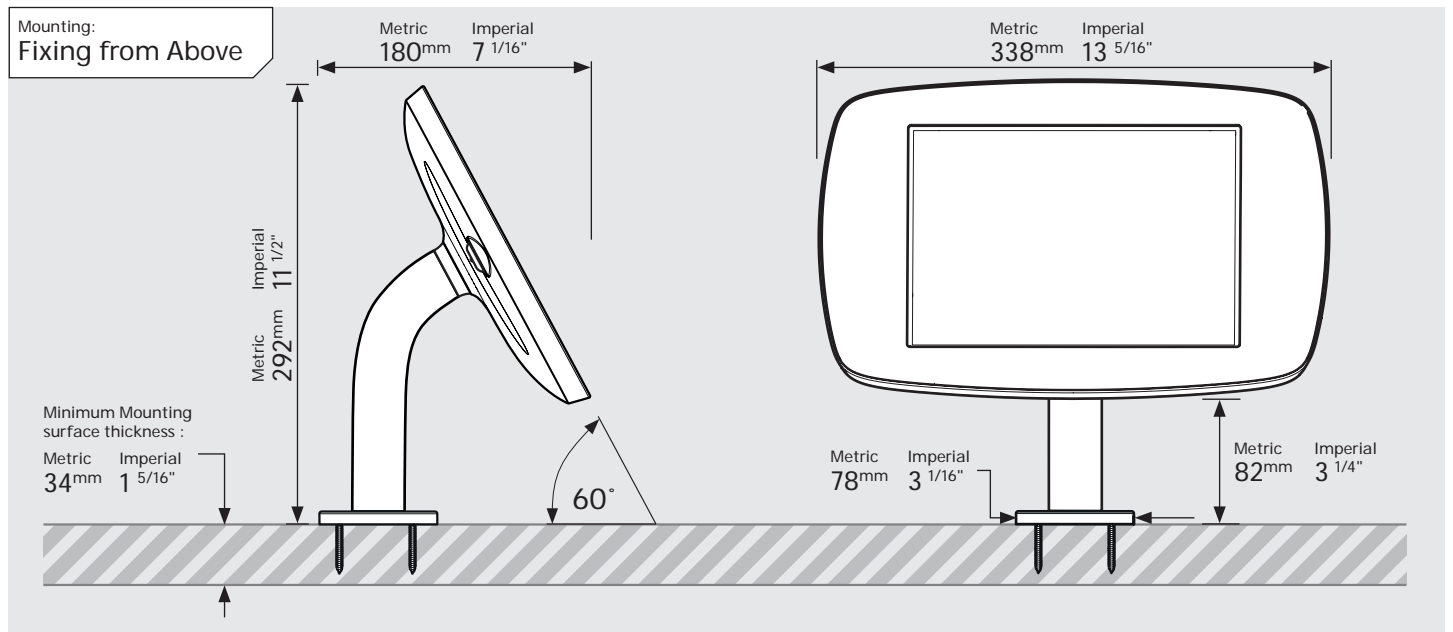
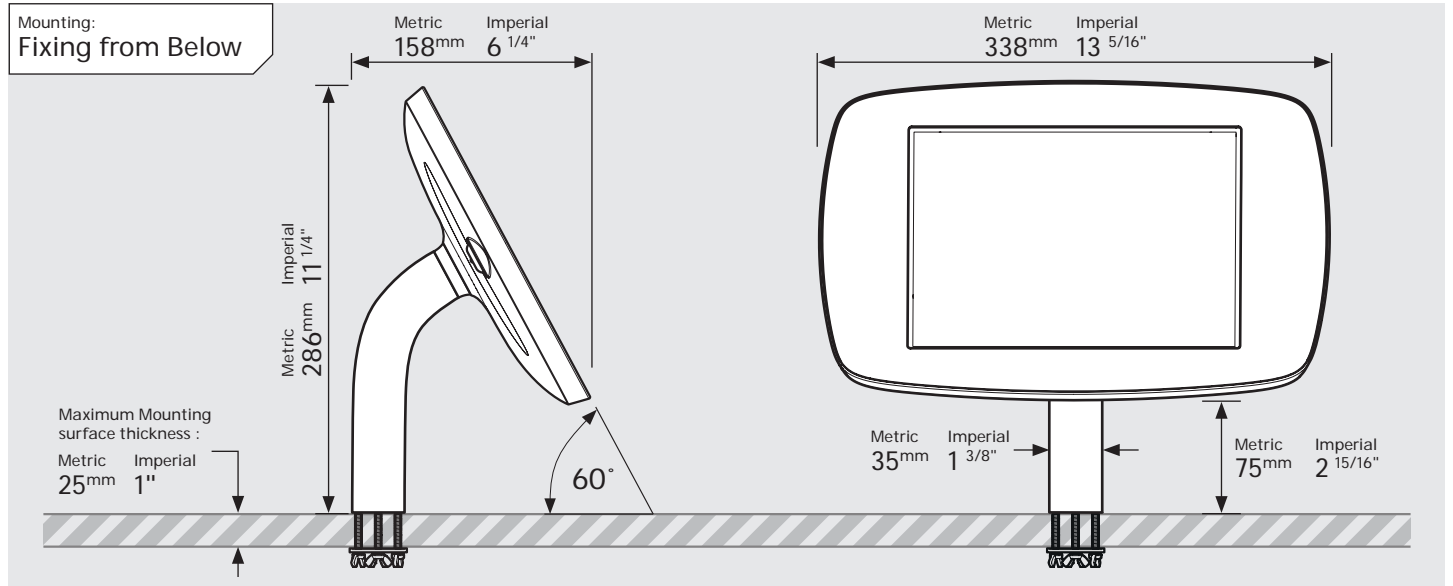
<b>Case:</b>	<b>Arm:</b>	<b>Mounting:</b>	<b>Packaged weight:</b>	<b>Colour:</b>
Midi	Static60	Fixing from <b>Below</b>	1.89kg	White Black
		Fixing from <b>Above</b>		



# PRODUCT DATA SHEET - STATIC60 (MAXI CASE)

**bouncepad®**

Case: Maxi    Arm: Static60    Mounting: Fixing from Below  
 Fixing from Above    Packaged weight: 2.12kg    Colour: White  
 Black



# PRODUCT DATA SHEET - STATIC60 (MEGA CASE)

**bouncepad®**

Case: Mega Arm: Static60 Mounting: Fixing from Below  
 Fixing from Above Packaged weight: 2.51kg Colour: White  
 Black

