

Mini Case supported devices:

- iPad Mini 1
- iPad Mini 2
- iPad Mini 3
- iPad Mini 4
- iPad Mini (2019)

Midi Case supported devices:

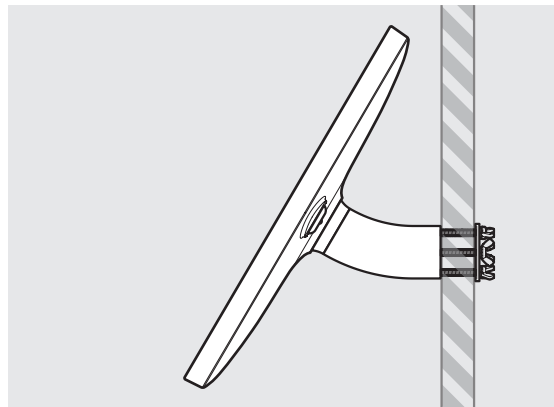
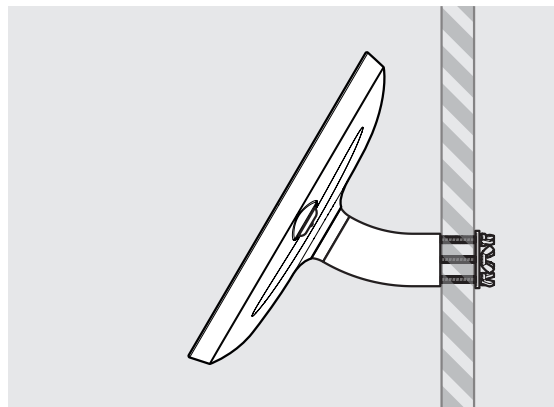
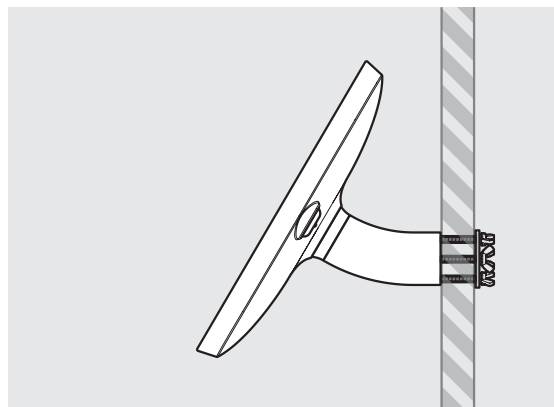
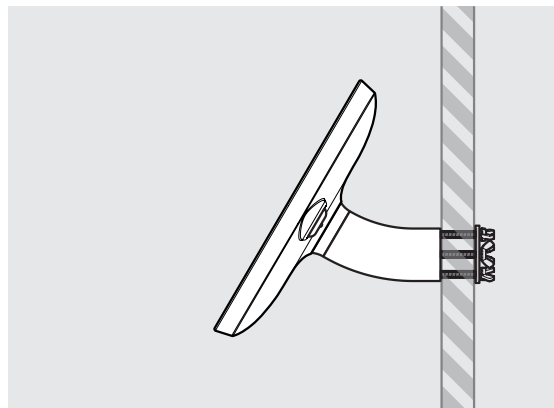
- iPad 6th Gen
- iPad 5th Gen
- iPad 4th Gen
- iPad 3rd Gen
- iPad Pro 9.7
- iPad Air 1
- iPad Air 2
- Samsung Tab S2 9.7
- Samsung Tab S3 9.7
- Samsung Tab A 9.7

Maxi Case supported devices:

- iPad Pro 10.5
- iPad Pro 11.0
- iPad Air (2019)
- Samsung Tab A6 10.1
- Samsung Tab A 10.1
- Samsung Tab A 10.5
- Samsung Tab 4 10.1
- Microsoft Surface Go

Mega Case supported devices:

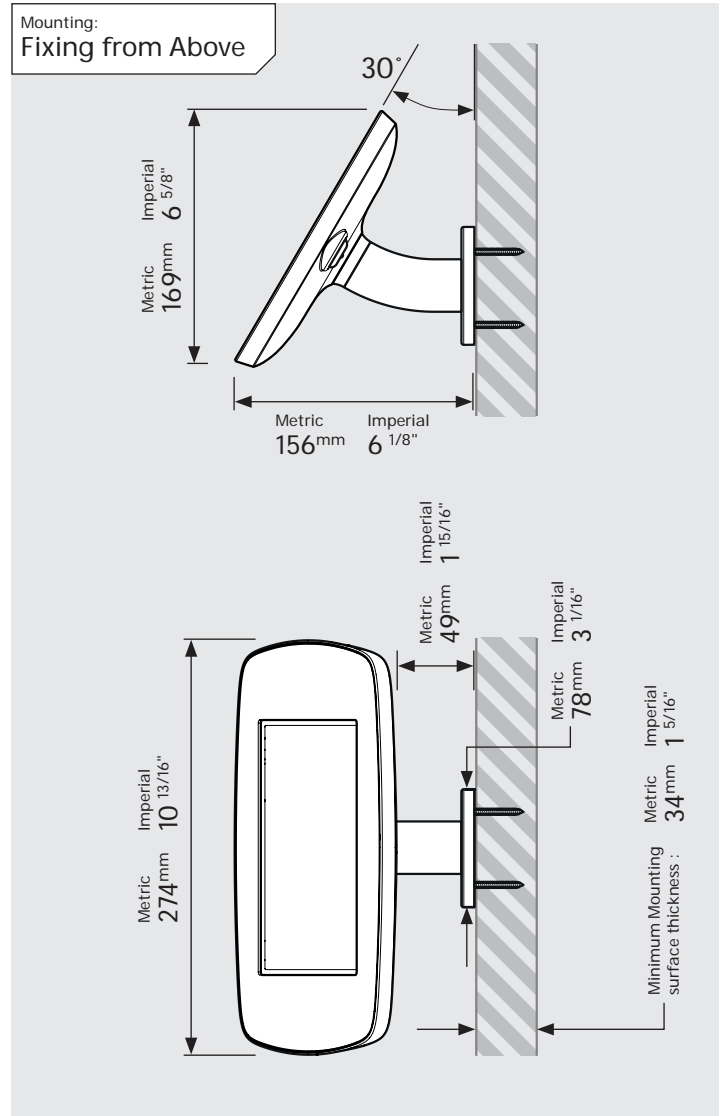
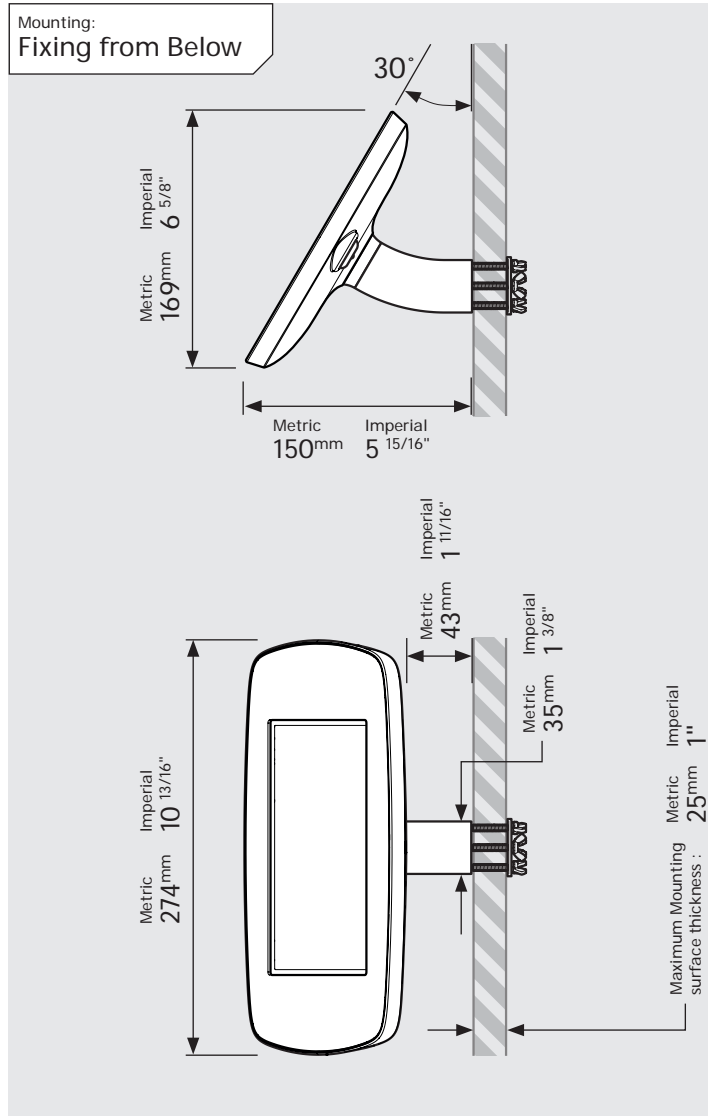
- iPad Pro 12.9" 1st Gen
- iPad Pro 12.9" 2nd Gen
- iPad Pro 12.9" 3rd Gen
- Microsoft Surface Pro 4
- Microsoft Surface Pro 5



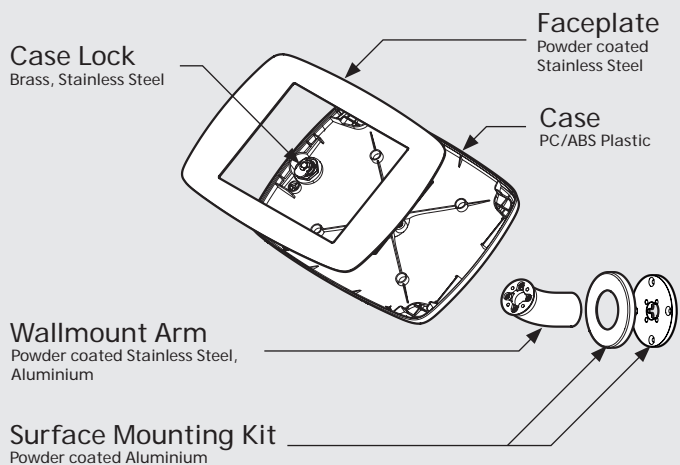
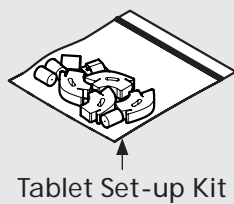
PRODUCT DATA SHEET - BOUNCEPAD WALLMOUNT



| | | | | |
|--------------|-------------|-----------------------------|-------------------------|----------------|
| Case: | Arm: | Mounting: | Packaged weight: | Colour: |
| Mini | Wallmount | Fixing from Below | 1.66kg | White Black |
| | | Fixing from Above | | |



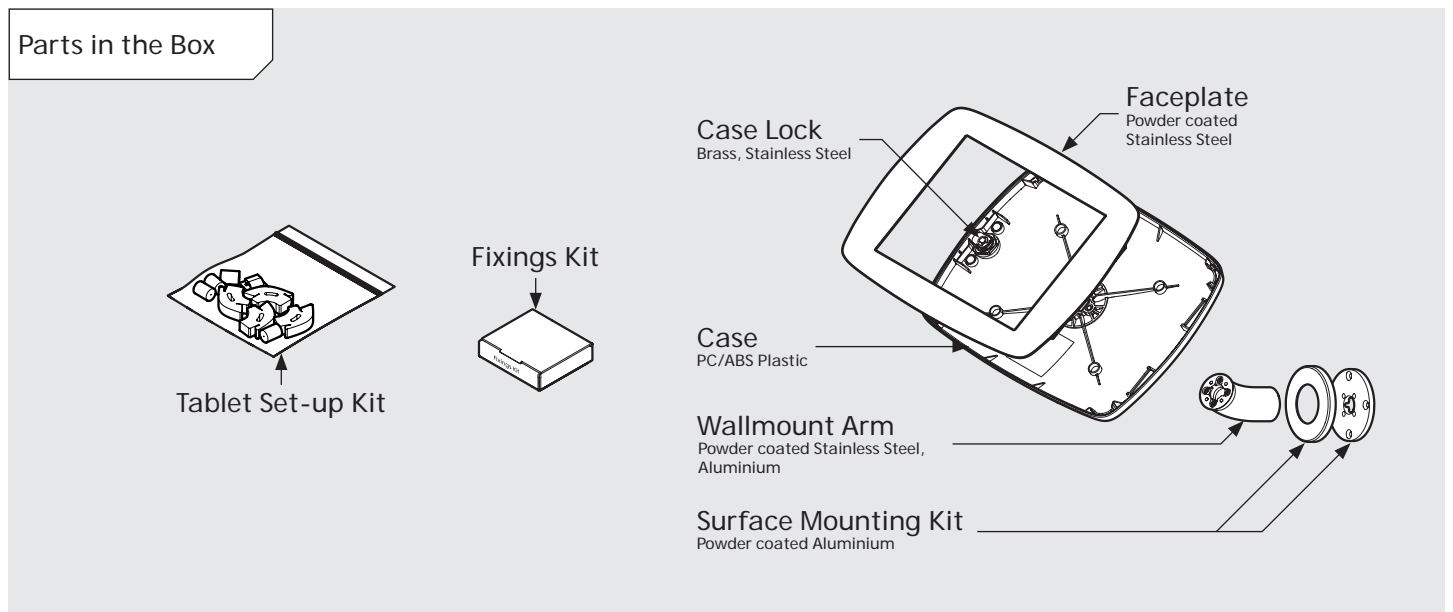
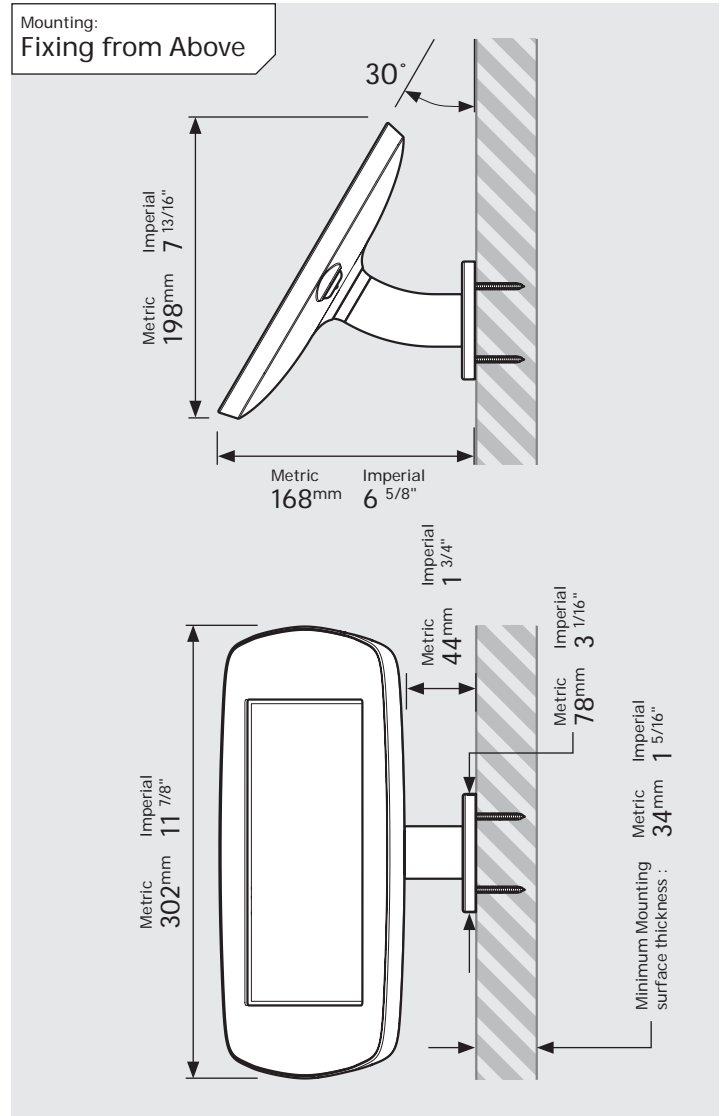
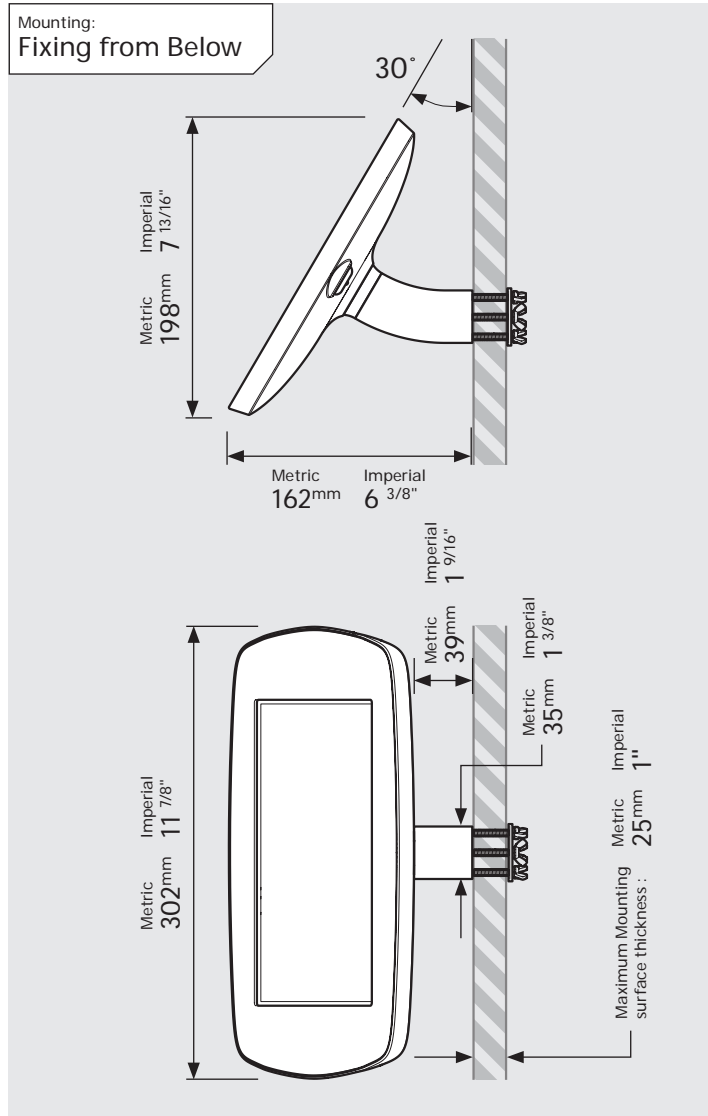
Parts in the Box



PRODUCT DATA SHEET - BOUNCEPAD WALLMOUNT

bouncepad®

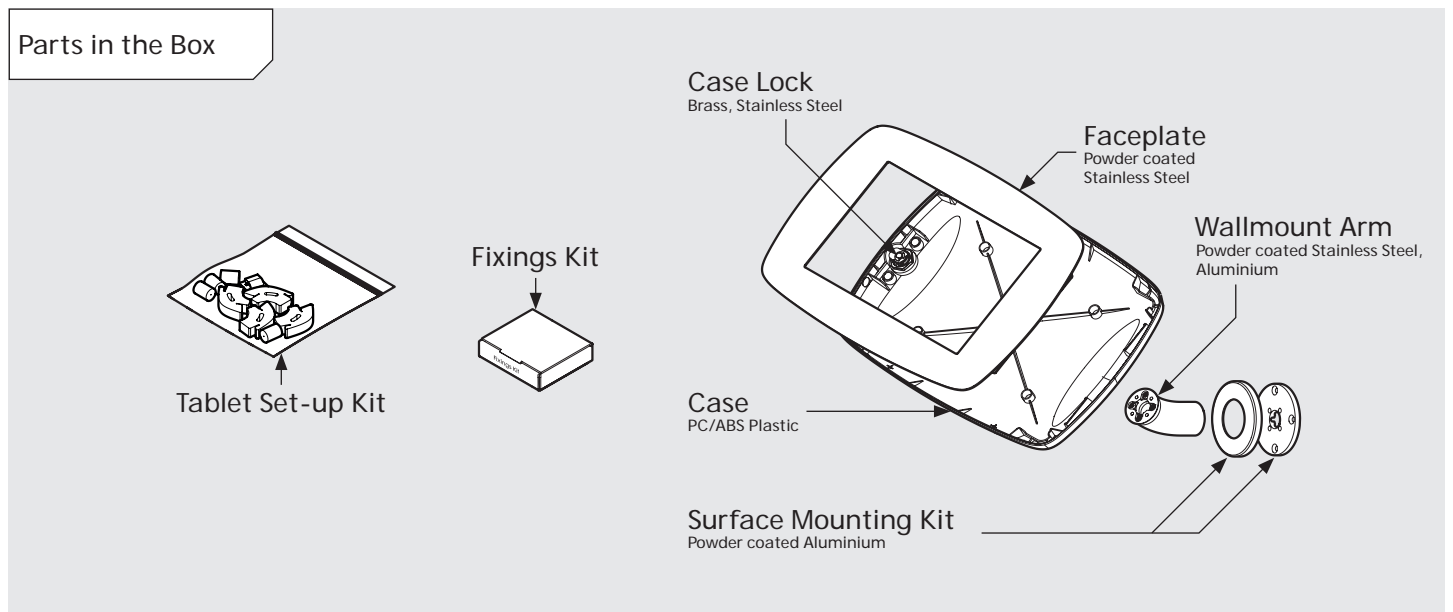
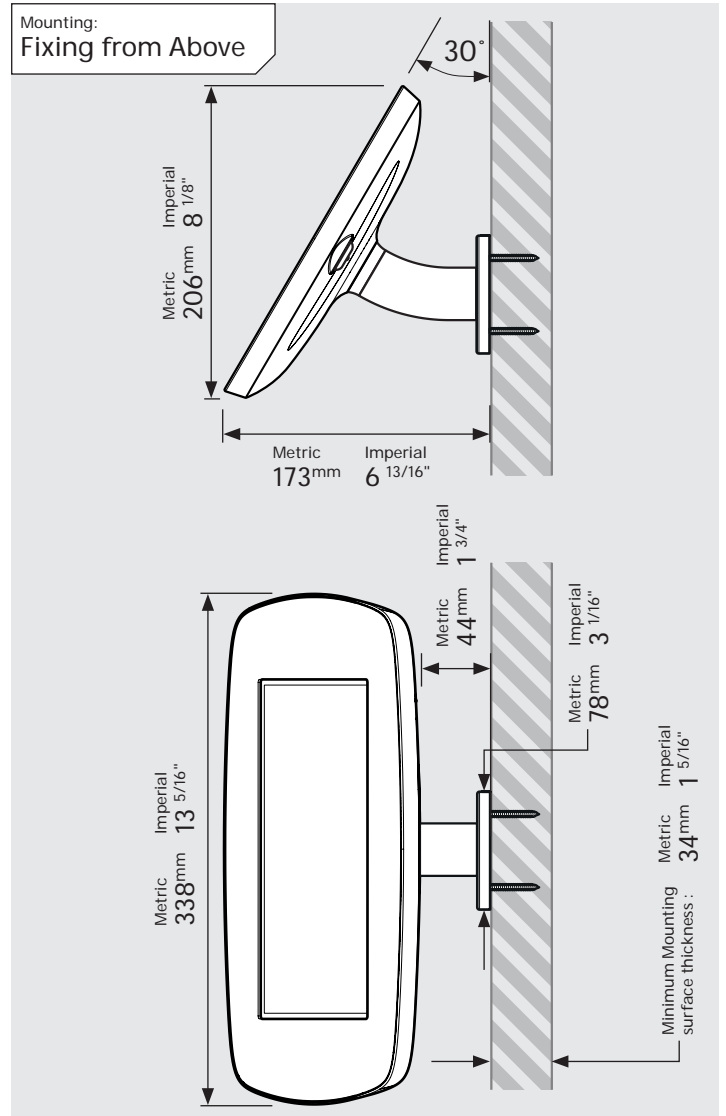
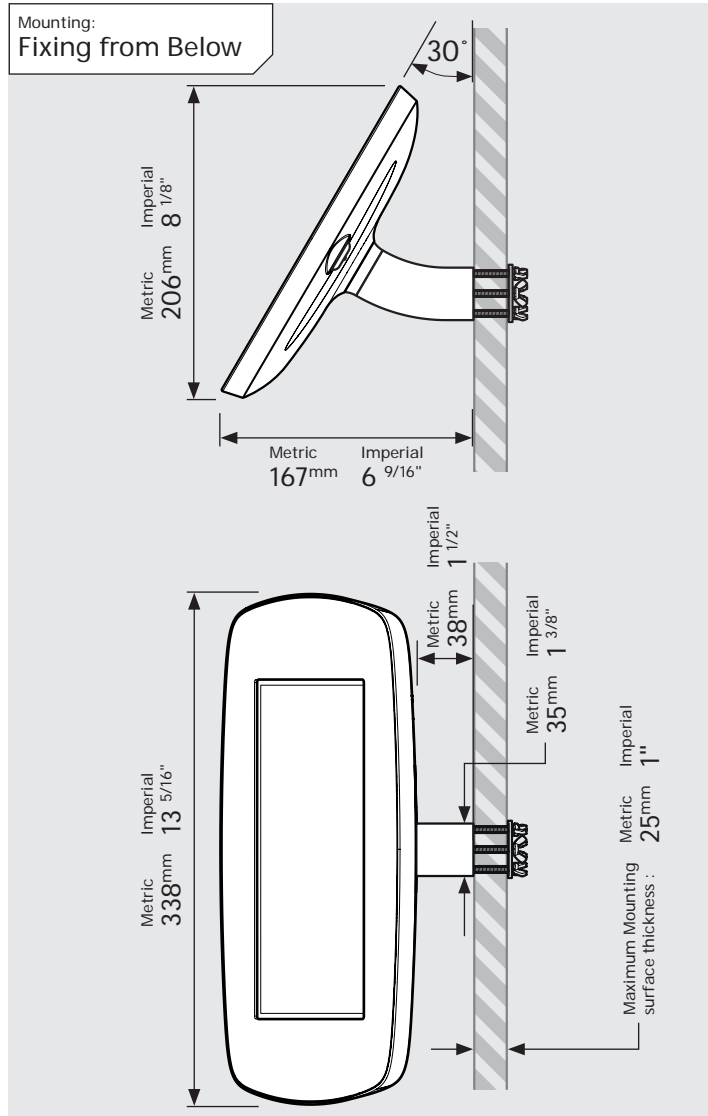
Case: Midi Arm: Wallmount Mounting: Fixing from Below
 Fixing from Above Packaged weight: 1.84kg Colour: White
 Black



PRODUCT DATA SHEET - BOUNCEPAD WALLMOUNT



| | | | | |
|--------------|-------------|-----------------------------|-------------------------|----------------|
| Case: | Arm: | Mounting: | Packaged weight: | Colour: |
| Maxi | Wallmount | Fixing from Below | 2.07kg | White Black |
| | | Fixing from Above | | |



PRODUCT DATA SHEET - BOUNCEPAD WALLMOUNT



Case: Mega
Arm: Wallmount
Mounting: Fixing from Below
 Fixing from Above
Packaged weight: 2.46kg
Colour: White
 Black

